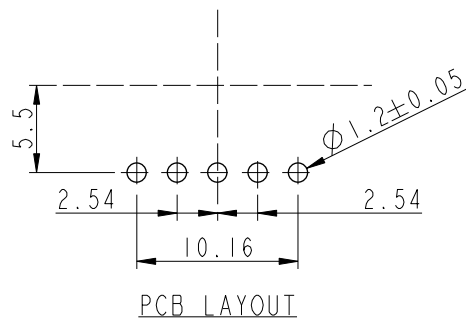
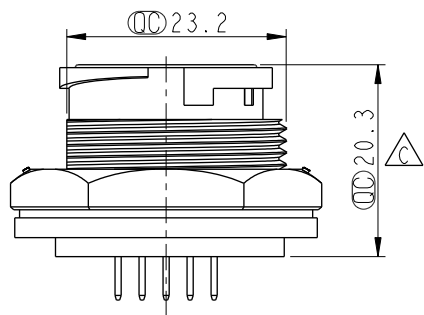
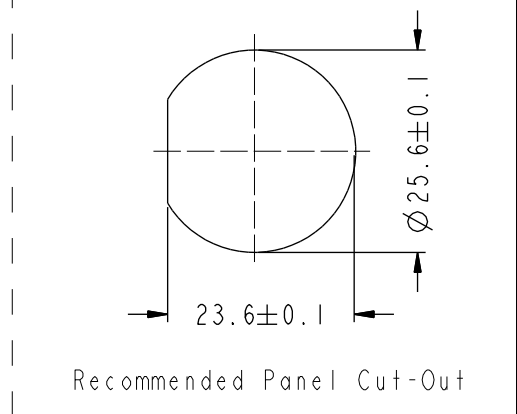
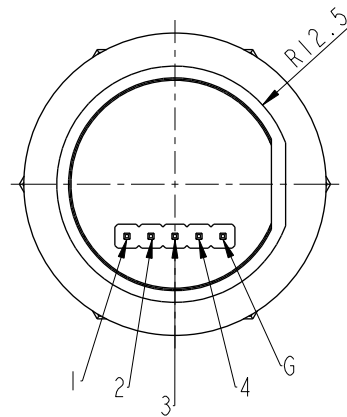
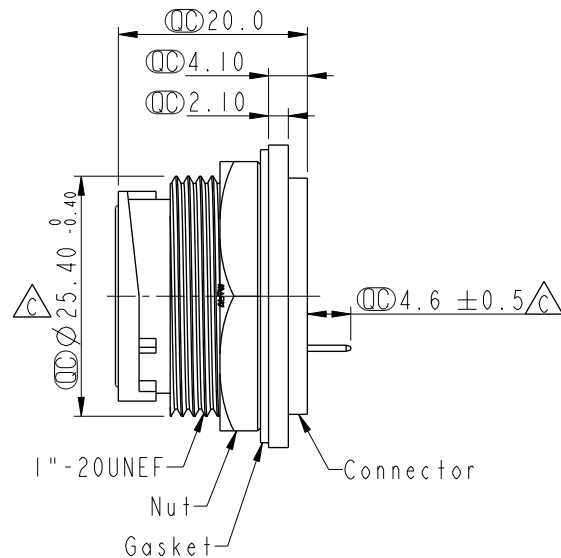
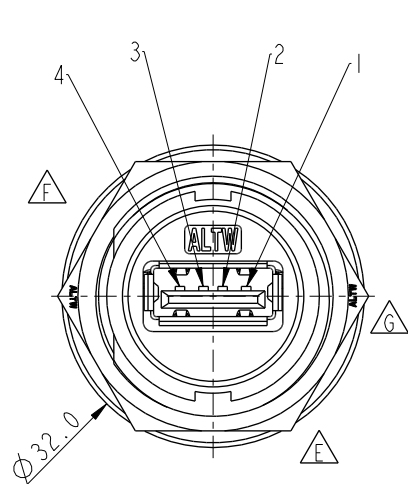


REV.	ECN NO.	DATE	SIGN	DESCRIPTION
F	LEN1490379	2014/09/12	Lu Di	Update Logo
G	LEN14C0304	2014/12/04	Lu Di	Update Nut
H	C240125	2024/01/26	Vicky	$\triangle H$ X2



- $\triangle H$ Note:
- * ϕ Important dimension.
 - $\triangle E$ * Waterproof rate: IP67, unmatd
 - * Connector
Housing: Thermoplastic, Black
USB: USB-A Female
 - * Nut: Thermoplastic, Black
 - * Gasket: Rubber, Black
 - $\triangle D$ * Use with waterproof cap or dust cap
For Panel Thickness Max: 2.8mm
 - $\triangle D$ * Use without waterproof cap or dust cap
For Panel Thickness Max: 4.0mm
 - * Gasket and nut are packed separately in pe bag

UNIT: mm		
TOLERANCE		
.X	± 0.25	
.XX	± 0.1	
.XXX	± 0.05	
ANGLES	$\pm 1^\circ$	

TITLE USB, A TYPE, 2.0, FRONT FASTENED M, F, PCB S, 2LOCK			
SCALE 5:4	SIZE A4	SHEET 1 OF 1	
REV. H	WC-REV. A.5	ϕ : Inspection item	

Amphenol LTW
安費諾亮泰企業股份有限公司

ITEM NO. UA-20PMFP-LC7001	DRAWN BY Vicky	DATE 2024-01-26
DWG NO. UA-20PMFP-LC7001	CHECKED BY Rita	DATE 2024-01-26
CUSTOMER ALTW	APPROVED BY Fred	DATE 2024-01-26

THIS DOCUMENT IS SUBJECT TO CHANGE WITHOUT NOTICE. IT IS CONFIDENTIAL AND A PROPERTY OF AMPHENOL LTW. DISCLOSURE TO THIRD PARTY HAS TO BE AUTHORIZED BY AMPHENOL LTW.