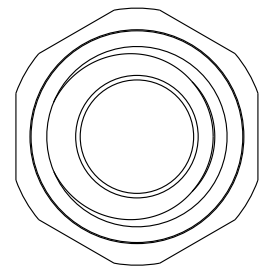
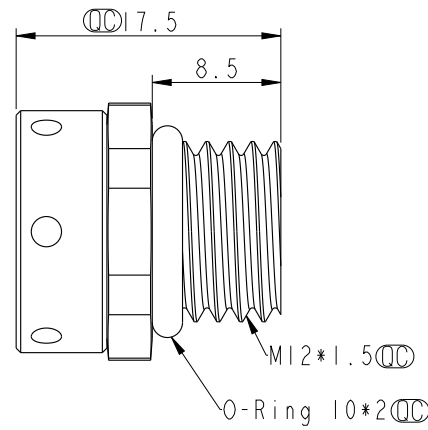
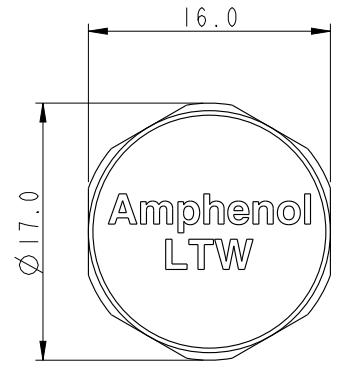
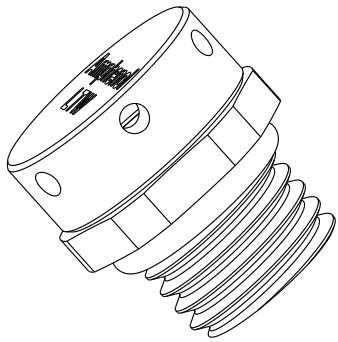


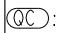


THIS DOCUMENT IS SUBJECT TO CHANGE WITHOUT NOTICE. IT IS CONFIDENTIAL AND A PROPERTY OF Amphenol LTW. DISCLOSURE TO THIRD PARTY HAS TO BE AUTHORIZED BY Amphenol LTW.

REV.	ECN NO.	DATE	SIGN	DESCRIPTION
A	Initial Release	2018/03/24	Ethan	
B	C180282	2018/11/01	Xiaofeng	Update Drawing
C	C210614	2021/04/27	Xiaofeng	 X3



UNIT: mm		
TOLERANCE		
.X	±0.25	
.XX	±0.1	
.XXX	±0.05	
ANGLES	±1°	

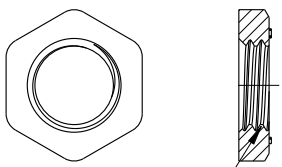
TITLE Metal M12*1.5 VENT		
SCALE 2:1	SIZE A4	SHEET 1 OF 2
REV. C	WC-REV. A.6	 : Inspection item

Amphenol LTW
安費諾亮泰企業股份有限公司

ITEM NO. VENT-MSINMS-08001	DRAWN BY Xiaofeng	DATE 2018/11/01
DWG NO. VENT-MSINMS-08001	CHECKED BY Feng-li	DATE 2018/11/01
CUSTOMER ALTW	APPROVED BY Jerry	DATE 2018/11/01

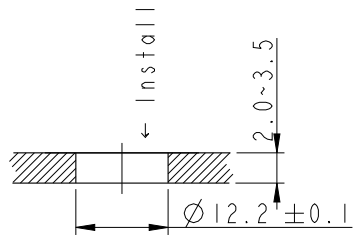
THIS DOCUMENT IS SUBJECT TO CHANGE WITHOUT NOTICE. IT IS CONFIDENTIAL AND A PROPERTY OF Amphenol LTW. DISCLOSURE TO THIRD PARTY HAS TO BE AUTHORIZED BY Amphenol LTW.

△ Screw Nut: Optional part
No.: APTM-AMBPA012-001
鐵件螺母作為選配件



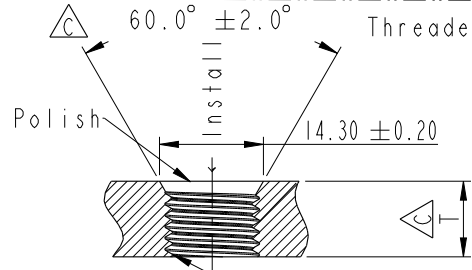
M12*1.5

Through-hole

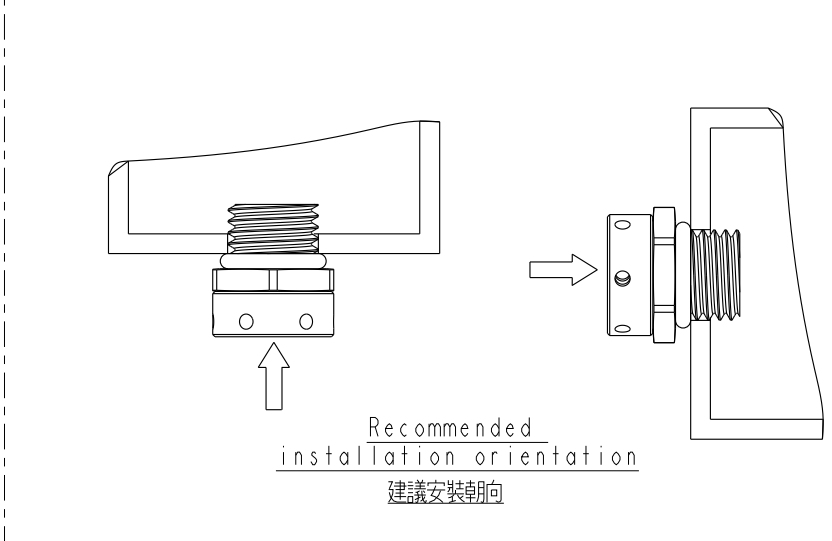


Recommended Panel Cut-Out
建議開孔尺寸

Threaded-hole



Recommended Panel Cut-Out
建議開孔尺寸



- Note:
- * Ⓞ Important Dimension.
 - * Waterproof Rate: IP68 (Immersion for 60 minutes at a depth of 2 meter), IP69K
 - * Housing: SUS316L
 - * Cap: SUS316L
 - * Membrane: ePTFE, Oleophobic
 - * O-Ring: Silicone, 94V-0
 - * Air Permeability: >1600ml/min @70mbar
 - * Recommended Torque: 6.0~8.0 Kgf.cm

UNIT: mm		
TOLERANCE	.X ±0.25	
.XX ±0.1		
.XXX ±0.05		
ANGLES	±1°	

TITLE Metal M12*1.5 VENT			
SCALE 2:1	SIZE A4	SHEET 2 OF 2	
REV. C	WC-REV. A.6	Ⓞ: Inspection item	

Amphenol LTW
安費諾亮泰企業股份有限公司

ITEM NO VENT-MSINMS-08001	DRAWN BY Xiaofeng	DATE 2018/11/01
DWG NO VENT-MSINMS-08001	CHECKED BY Feng-li	DATE 2018/11/01
CUSTOMER ALTW	APPROVED BY Jerry	DATE 2018/11/01