



PRODUCT DATA SHEET

GP LED Cordless Lights

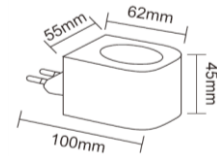
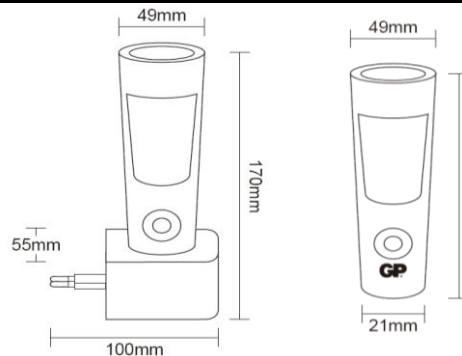
Model: SecurELite
Model No.: 060598-LA

Revision History

Revision	Date	Reference No.	Reason for Change
0	21 March 2012	S-LA-210312-016 R0	New release

Prepared by Nathan Lo	Approved by Arie Yu
Date: 21 Mar 2012	Date: 21 Mar 2012

Lichton International Limited
Room 3, 12/F, Nam Wo Hong Building,
148 Wing Lok Street, Sheung Wan, Hong Kong
Tel: +852 2581 0912 Fax: +852 2581 0916
Email: gplighting@lichton.com
Website: <http://www.gp-lighting.com>



Unit: mm

Product Category	: LED Cordless Light
Product Name	: SecurELite
Description	: Indoor LED Emergency Sensor Light (rechargeable)
Input Voltage	: 220-240VAC 50Hz
Power Consumption	: 1W
Operating Voltage	: ~3.6V
Operating Current	: Top LEDs: 100-140mA; Front LEDs: 150-200mA
LED Type	: Top: 6 x 0.07W LED ϕ 5; Front 15 x 0.07 LED ϕ 5
Luminous Flux / Intensity	: Top: ~90 cd; Front: ~225 cd *
PIR Lux	: 0.5~2 lux
Sensor	: Motion and Photo
Sensor Detection Coverage	: 60°, 2-3 meters
Battery operation	: Fully charged ~8 hours. Operates ~12 hours (Top), ~2.5 hours (Front) **
Operating Temperature	: 0°C to 45°C (Charging), -20°C to 40°C (Discharging)
Storage Temperature	: -10°C to 25°C
Housing Material	: ABS and PC
IP Rating	: N/A
Approval	: CE
Dimension	: Complete unit: 170 (L) x 100 (W) x 49 (T) mm; Torch: 152 (L) x 21 (W) x 49 (T) mm; Charging base: 45 (L) x 100 (W) x 62 (D) x 55 (T) mm
Weight	: Complete unit: 180g; Torch: 110g; Charging base: 70g
Warranty Period	: 12 months from ex-factory date

* Reading from the LED directly. There will be certain discount on the brightness reading after the LED is assembled in the actual product.

** Based on fully charged battery. Lithium-ion 3.7V 14430 650mAh battery is pre-installed in product.