

## Electrical and Acoustical Parameter

Rated Voltage (VDC)	12.0
Operating Voltage (VDC)	5.0-28.0
Current Consumption (mA@rated voltage)	2.0-20.0
Sound Pressure Level (dBA@1m, rated voltage)	85+/-3
Resonance Frequency (Hz)	2900±500
Tone	Continuous Tone
Remark:	n.a.

## Mechanical, Environmental Parameter

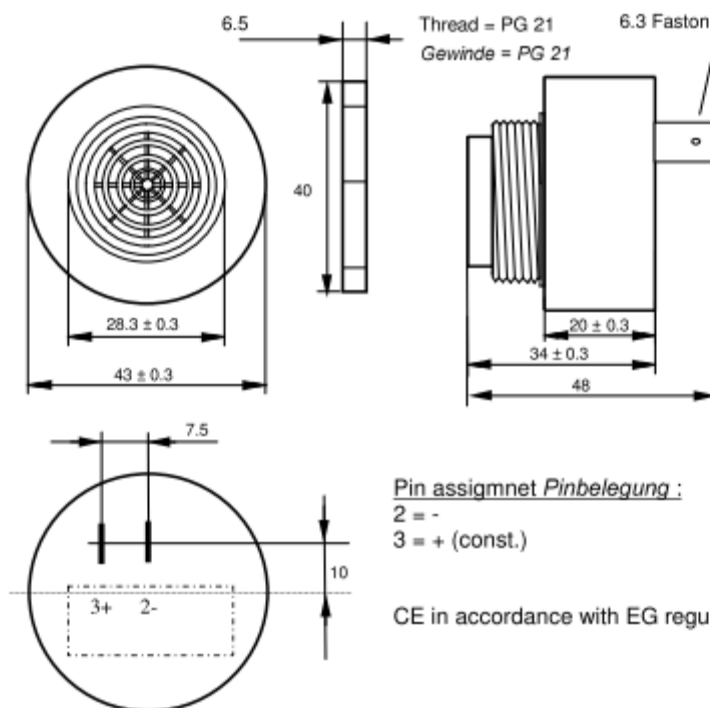
Contact	Faston 6.3
Operating Temperature (°C)	-20 to +75
Storage Temperature (°C)	-30 to +80
Material Housing	ABS
Colour Housing	grey
IP Rating	65
Component weight (g)	40
Packaging	Box
Remark:	

## Approval

RoHs	<input checked="" type="checkbox"/>
UL	<input type="checkbox"/>

Designed by	MZ	03.12.2015	Dimensions without tolerance ±0.5mm	Index: 00	Current date
Released by	CB	03.12.2015	Drawing number	<b>151203.4BZ</b>	03.12.2015
Changed by					Page 1 of 2

## Drawing of Component



## Reliability Test

n.a.

## Packaging Information

20pcs/carton

## Revision Table

Index Nr.	Date Reason - Procedure Change description	Drawing Date	implementation	Comments
			LS-Nr.: Date	

Designed by	MZ	03.12.2015	Dimensions without tolerance $\pm 0.5$ mm	Index: 00	Current date
Released by	CB	03.12.2015	Drawing number <b>151203.4BZ</b>		03.12.2015
Changed by					Page 2 of 2