

## Protective covers - EV-T2SC - 1405217

Please be informed that the data shown in this PDF Document is generated from our Online Catalog. Please find the complete data in the user's documentation. Our General Terms of Use for Downloads are valid (<http://phoenixcontact.com/download>)




Hinged cover for Infrastructure Socket Outlet, Type 2, IEC 62196-2

### Product Description

Hinged cover for Socket Outlet



### Key Commercial Data

Packing unit	1 pc
GTIN	 4 046356 738507
Weight per Piece (excluding packing)	120.4 g
Custom tariff number	85389099
Country of origin	Germany

### Technical data

#### General

Product type	Hinged cover for Infrastructure Socket Outlet
Standards/regulations	IEC 62196-2
Charging standard	Type 2
Charging mode	Mode 3

#### Technical properties

Ambient temperature (operation)	-30 °C ... 50 °C (Operation)
Ambient temperature (storage/transport)	-40 °C ... 80 °C (Storage)
Altitude difference for area of application	5000 m (above sea level)
Degree of protection	IP54

### Classifications

#### eCl@ss

eCl@ss 4.0	272607xx
------------	----------

# Protective covers - EV-T2SC - 1405217

## Classifications

### eCl@ss

eCl@ss 4.1	27260701
eCl@ss 5.0	27260701
eCl@ss 5.1	27260701
eCl@ss 6.0	27279220
eCl@ss 7.0	27440103
eCl@ss 8.0	27440590

### ETIM

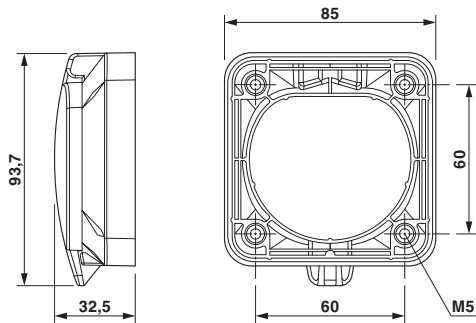
ETIM 3.0	EC002061
ETIM 4.0	EC002061
ETIM 5.0	EC002061

### UNSPSC

UNSPSC 6.01	30211923
UNSPSC 7.0901	39121522
UNSPSC 11	39121522
UNSPSC 12.01	39121522
UNSPSC 13.2	39121522

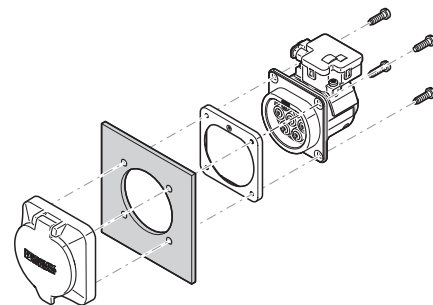
## Drawings

Dimensional drawing



Dimensional drawing

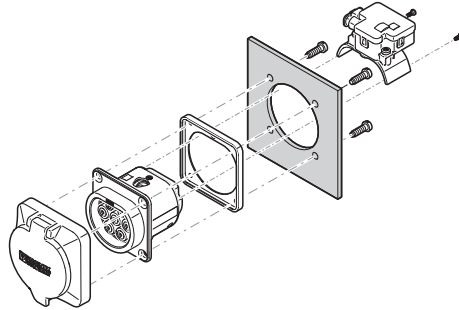
Schematic diagram



Rear mounting

## Protective covers - EV-T2SC - 1405217

Schematic diagram



Front mounting

---

Phoenix Contact 2015 © - all rights reserved  
<http://www.phoenixcontact.com>