

CASE SPECIFICATIONS AND FEATURES

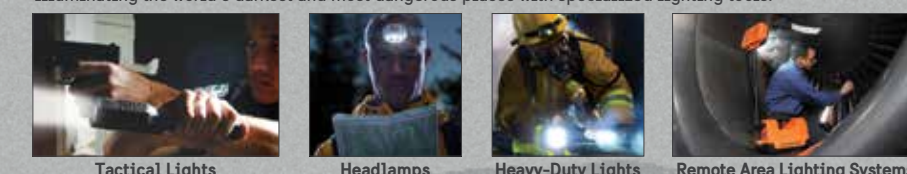
Table with columns: CAT. NO., INTERIOR DIMENSIONS (inches, centimeters), EXTERIOR DIMENSIONS (inches, centimeters), COLORS, PADDED DIVIDERS, RUBBERIZED HANDLES, PANEL FRAMES, PERSONALIZED NAMEPLATES, LID ORGANIZERS, WHEELS.

CASE SPECIFICATIONS AND FEATURES

Table with columns: CAT. NO., INTERIOR DIMENSIONS (inches, centimeters), EXTERIOR DIMENSIONS (inches, centimeters), COLORS, PADDED DIVIDERS, RUBBERIZED HANDLES, PANEL FRAMES, PERSONALIZED NAMEPLATES, LID ORGANIZERS, WHEELS.

MEET THE OTHER HALF OF PELICAN

The same durability and ingenuity built into every Pelican Case also sets our Flashlights apart. We're illuminating the world's darkest and most dangerous places with specialized lighting tools.



Tactical Lights, Headlamps, Heavy-Duty Lights, Remote Area Lighting Systems

PELICAN LIMITED LIFETIME GUARANTEE OF EXCELLENCE

Pelican Products, Inc. guarantees its products for a lifetime against breakage or defects in workmanship. Pelican™ injection molded cases are guaranteed to be watertight to a depth of 3.3 feet (1 meter) for 30 minutes (IP 67) if properly closed with undamaged o-ring in place unless otherwise stated.

For complete warranty details, see http://www.pelican.com/warranty. In Australia: See http://www.pelican.com/warranty/australia

Lifetime Guarantee does not cover Roto Molded cases, RALS products, fabric portion of backpacks or smartphone cover accessories.

FOR THE FULL LINE OF PELICAN PROFESSIONAL LIGHTING TOOLS, GO TO WWW.PELICAN.COM

U.S.A.

- CALIFORNIA, MASSACHUSETTS, MINNESOTA, EUROPE, MIDDLE EAST AND AFRICA, JAPAN, CHINA, KOREA, SE ASIA and rest of ASIA (Hong Kong, Macau, Taiwan, Pakistan), LATIN AMERICA

INTERNATIONAL

- CANADA, AUSTRALIA, INDIA and SOUTH ASIA (Bangladesh, Bhutan, Maldives, Nepal, Sri Lanka), SE ASIA and rest of ASIA (Hong Kong, Macau, Taiwan, Pakistan), LATIN AMERICA

INDIA and SOUTH ASIA

- (Bangladesh, Bhutan, Maldives, Nepal, Sri Lanka) Pelican Products and Services India Pvt. Ltd

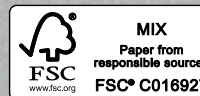
SE ASIA and rest of ASIA

- (Hong Kong, Macau, Taiwan, Pakistan) Pelican Products and Services India Pvt. Ltd

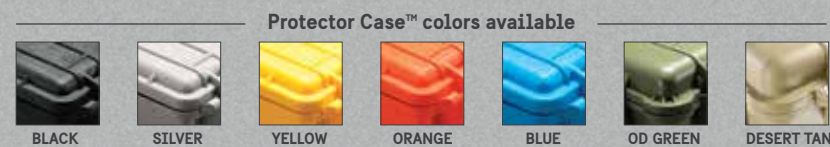
DISTRIBUTED BY:

Printed in the USA on FSC-Certified Paper

©2017 Pelican Products, Inc. All trademarks are registered and/or unregistered trademarks of Pelican Products, Inc., its subsidiaries and/or affiliates.



Part. No. 0030-003-800 MY/17



S = Standard feature * = OD Green available upon request

Specifications chart continued on back



WATERTIGHT PROTECTOR™ CASES FULL LINE BROCHURE



SINCE 1976



MEMORY CARD/SPORT WALLET CASE



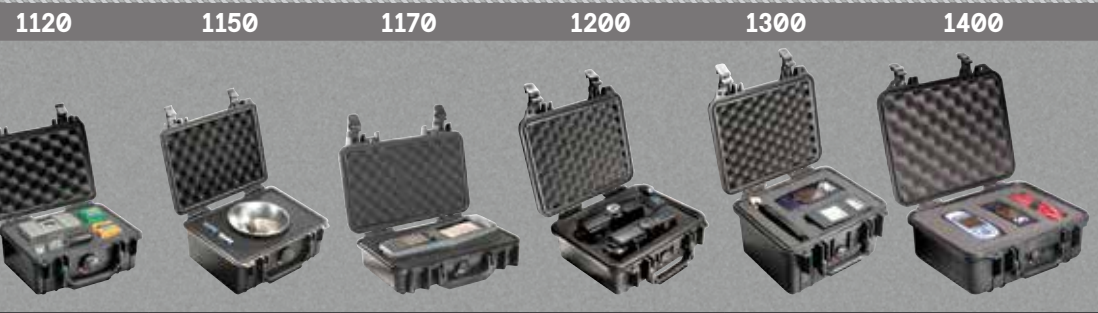
Cat. No. 0915 Stores 12 SD cards or 6 mini SD cards and 6 micro SD cards
Cat. No. 0945 Stores 6 compact flash cards
Cat. No. 0955 Holds keys, ID, cards and cash

MICRO CASE SERIES™



Cat. No. i1010 Designed to protect Apple iPod classic®, Apple iPod nano®, and Apple iPod shuffle®
Cat. No. i1015 Designed for Apple iPhone™, Apple iPhone 4 and Apple iPod touch™
Cat. No. 1010
Cat. No. 1015
Cat. No. 1020
Cat. No. 1030
Cat. No. 1040
Cat. No. 1050
Cat. No. 1060
Micro Cases are available in clear with a colored rubber liner or in solid colors with a black rubber liner. Pick N Pluck™ foam inserts are available.

SMALL CASES



Cat. No. 1120* Cat. No. 1120NF**
Cat. No. 1150* Cat. No. 1150NF**
Cat. No. 1170* Cat. No. 1170NF**
Cat. No. 1200* Cat. No. 1200NF**
Cat. No. 1300* Cat. No. 1300NF**
Cat. No. 1400* Cat. No. 1400NF**

AIR CASES



Cat. No. 1485* Cat. No. 1485NF**
Cat. No. 1485WD*** Cat. No. 1485TP****
Cat. No. 1525* Cat. No. 1525NF**
Cat. No. 1525WD*** Cat. No. 1525TP****
Cat. No. 1535* Cat. No. 1535NF**
Cat. No. 1535WD*** Cat. No. 1535TP****
Cat. No. 1555* Cat. No. 1555NF**
Cat. No. 1555WD*** Cat. No. 1555TP****
Cat. No. 1605* Cat. No. 1605NF**
Cat. No. 1605WD*** Cat. No. 1605TP****
Cat. No. 1615* Cat. No. 1615NF**
Cat. No. 1615WD*** Cat. No. 1615TP****

MEDIUM CASES



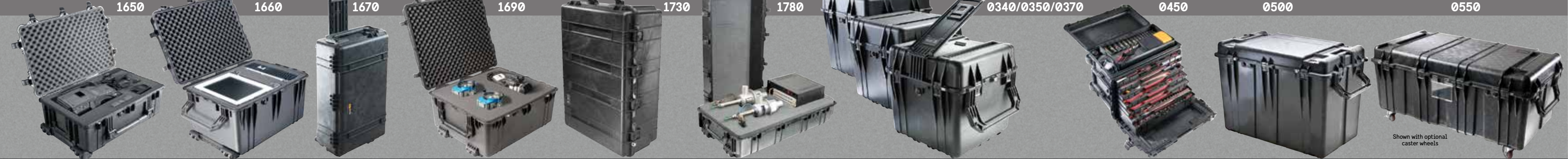
Cat. No. 1450* Cat. No. 1450NF**
Cat. No. 1454***
Cat. No. 1460* Cat. No. 1460NF**
Cat. No. 1460AALG
Cat. No. 1460EMS Case with custom configured lid organizer and trays for EMS professionals
Cat. No. 1460TOOL Case with adjustable and removable tray dividers for easy customization
Cat. No. 1500* Cat. No. 1500NF**
Cat. No. 1504***
Cat. No. 1500EMS Case with custom configured lid organizer and trays for EMS professionals
Cat. No. 1510* Cat. No. 1510NF**
Cat. No. 1510MNF**
Cat. No. 1510MNF**
Cat. No. 1510LOC
Cat. No. 1510LFC
Cat. No. 1520* Cat. No. 1520NF**
Cat. No. 1524***
Cat. No. 1526 1520 Case with 1527 Convertible Travel Bag
Cat. No. 1550* Cat. No. 1550NF**
Cat. No. 1554***
Cat. No. 1550EMS Case with custom configured lid organizer and trays for EMS professionals

LARGE CASES



Cat. No. 1560* Cat. No. 1560NF**
Cat. No. 1560TP****
Cat. No. 1564***
Cat. No. 1560LFC
Cat. No. 1560M* Cat. No. 1560MNF**
Cat. No. 1560LOC
Cat. No. 1560SC
Cat. No. 1600* Cat. No. 1600NF**
Cat. No. 1604***
Cat. No. 1600EMS
Cat. No. 1600TP****
Cat. No. 1610* Cat. No. 1610NF**
Cat. No. 1614***
Cat. No. 1610TP****
Cat. No. 1610M* Cat. No. 1610MNF**
Cat. No. 1620* Cat. No. 1620NF**
Cat. No. 1624***
Cat. No. 1620M* Cat. No. 1620MNF**
Cat. No. 1630* Cat. No. 1630NF**
Cat. No. 1634***
Cat. No. 1640* Cat. No. 1640NF**
Cat. No. 1644***

LARGE CASES



Cat. No. 1650* Cat. No. 1650NF**
Cat. No. 1654***
Cat. No. 1650TP****
Cat. No. 1660* Cat. No. 1660NF**
Cat. No. 1664***
Cat. No. 1670* Cat. No. 1670NF**
Cat. No. 1674***
Cat. No. 1690* Cat. No. 1690NF**
Cat. No. 1694***
Cat. No. 1730* Cat. No. 1730NF*
Cat. No. 1780* Cat. No. 1780NF*
Cat. No. 0340* Cat. No. 0340NF**
Cat. No. 0344***
Cat. No. 0350* Cat. No. 0350NF**
Cat. No. 0354***
Cat. No. 0370* Cat. No. 0370NF**
Cat. No. 0374***
Cat. No. 0450ND (no drawers)
Cat. No. 0450WD (with drawers)
Cat. No. 0500* Cat. No. 0500NF**
Cat. No. 0550* Cat. No. 0550NF**

LONG CASES



Cat. No. 1740* Cat. No. 1740NF**
Cat. No. 1700* Cat. No. 1700NF**
Cat. No. 1720* Cat. No. 1720NF**
Cat. No. 1750* Cat. No. 1750NF**
Cat. No. 1770* Cat. No. 1770NF**
Cat. No. 1780HL (rifle hard liner insert)
Cat. No. 1780RF (rifle foam cut insert)

DIGITAL PROTECTION CASES



CAT. NO. 1055CC Designed to protect the most popular eReaders and 7 inch tablets, also fits the new Apple iPad™ mini
CAT. NO. 1065CC Designed to protect most 10 inch tablets including Apple iPad™, Apple iPad™ 2, Apple iPad™ 2 with smart cover, Apple iPad™ 3, Apple iPad™ 3 with smart cover
CAT. NO. 11065 Designed to protect Apple iPad™ 2, 3 and 4
CAT. NO. 1070CC Designed to fit 13" Ultrabook™ laptops
CAT. NO. 1075* Designed to protect various electronics including external hard drives
CAT. NO. 1075CC (with netbook liner) Designed to protect most popular netbooks up to 11.3" x 8.1" x 1.6"
CAT. NO. 1075 (with Apple iPad™ insert) Designed to protect the Apple iPad™, Apple iPad™ 2 or Apple iPad™ 2 with Smart Cover
CAT. NO. P1075* Designed to fit pistols, revolvers and magazines



CAT. NO. 1085* Designed to protect 14" laptops
CAT. NO. 1085CC (with laptop liner) Designed to protect 14" laptops
CAT. NO. 1095* Designed to protect 15" laptops
CAT. NO. 1095CC (with laptop liner) Designed to protect 15" laptops



Cat. No. 1470* Cat. No. 1470NF**
Cat. No. 1490* Cat. No. 1490NF**
CAT. NO. 1490CC1 Case with lid organizer, fitted shock absorbing tray, and removable shoulder strap
CAT. NO. 1490CC2 Case with lid organizer, Pick N Pluck™ foam, and removable shoulder strap



Cat. No. 1495* Cat. No. 1495NF**
CAT. NO. 1495CC1 Case with lid organizer, shock absorbing tray, nylon padded computer sleeve, accessories pouch, and removable shoulder strap
CAT. NO. 1495CC2 Case with lid organizer, Pick N Pluck™ foam, and removable shoulder strap
Cat. No. 1430* Cat. No. 1430NF**
Cat. No. 1434 (with padded divider and lid organizer)
Cat. No. 1437 (with padded office divider and lid organizer)
Cat. No. 1440* Cat. No. 1440NF**
Cat. No. 1444 (with utility padded divider and lid organizer)
Cat. No. 1447 (with padded office divider and lid organizer)

TOP LOADER CASES

*with foam **no foam ***with padded dividers ****with TrekPak™ dividers

case contents not included