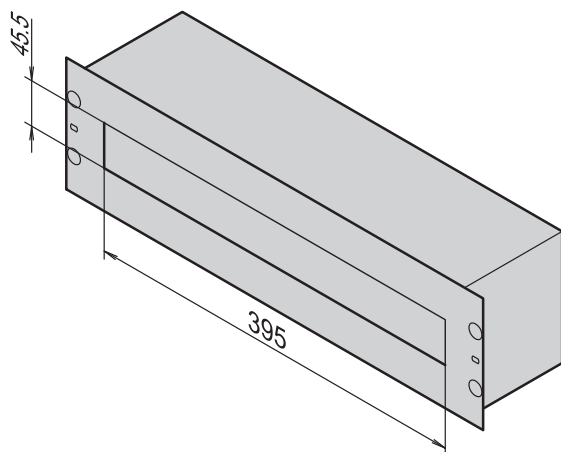


## Cabinet Accessories – Electrics

### 19" distribution box



01495004

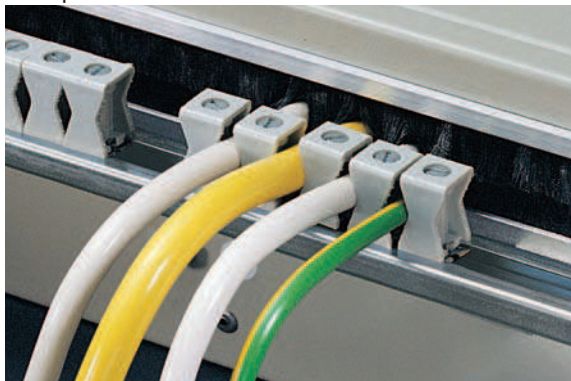


sza45585

Terminal clamp



Clamps



01695034

- For installation of power distribution modules on DIN profile rails (DIN 43880)
- With cable support rail on the rear side, strain relief with clamps
- Two neutral conductors for terminal clamps from 4 ... 35 mm<sup>2</sup>

#### Delivery comprises (assembled)

Item	Qty	Description
1	1	Case, 2 parts, 3 U/84 HP, AlZn
2	1	Front panel with cut-out for power distribution module, St, 1 mm, RAL 7035
3	2	Neutral conductors for terminal clamps, Cu, 200 x 3 x 10 mm, zinc-plated, insulated mounting
4	1	DIN profile rail, St, zinc-plated, depth-adjustable with spacing bolts
5	1	Cable support rail for clamps, zinc-plated
6	1	Brush strip, plastic, black, for cable entry
7	2	Sealing strip, fibre glass reinforced Polyester, for unused module positions
8	1	GND/earthing conductor, Cu, 1.5 mm <sup>2</sup> , green/yellow, length 360 mm
9	1	Label strip

#### Order Information

Description	Part no.
19" distribution box	<b>60118-434</b>
<b>Accessories</b>	
Terminal clamps for 19" distribution box 4 mm <sup>2</sup> , yellow/green, PU 10 pieces	<b>21101-529</b>
Terminal clamps for 19" distribution box 4 mm <sup>2</sup> , blue (N), PU 10 pieces	<b>21101-532</b>
Terminal clamps for 19" distribution box 16 mm <sup>2</sup> , yellow/green (PE), PU 10 pieces	<b>21101-530</b>
Terminal clamps for 19" distribution box 16 mm <sup>2</sup> , blue (N), PU 10 pieces	<b>21101-533</b>
Terminal clamps for 19" distribution box 35 mm <sup>2</sup> , yellow/green (PE), PU 10 pieces	<b>21101-531</b>
Terminal clamps for 19" distribution box 35 mm <sup>2</sup> , blue (N), PU 10 pieces	<b>21101-534</b>
Clamps for 19" distribution box, PU 14 pieces	<b>21190-753</b>
Delivery: supplied loose with cabinet or frame	Part no./35

#### Note

- 19" assembly kit, see page 3.17
- Power distribution module, see page 3.34

01695012



For further information [www.schroff.biz/oneclick](http://www.schroff.biz/oneclick)  
oneClick search code = Part no.