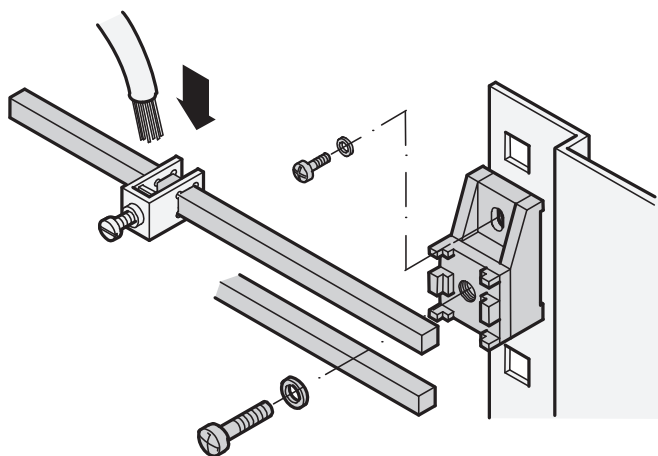


## Cabinet Accessories – Electrics

### GND/earthing rail



- To connect GND/earthing wire and stranded conductors by means of terminal clamps
- Fixing insulated from the frame

#### Delivery comprises

Item	Qty	Description
1	1	Rail, Cu, cross section 35 mm <sup>2</sup>
2	2	Rail support block for max. 2 rails, plastic
3	1	Assembly kit for cabinet assembly

#### Order Information

Length mm	Part no.
200	<b>20118-281</b>
480	<b>20118-282</b>
1000	<b>20118-265</b>
1910	<b>20118-266</b>

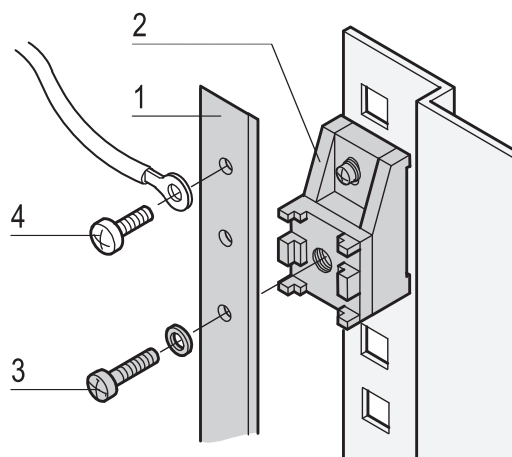
#### Accessories

<b>Additional second GND/earthing rail</b> , length 200 mm, 1 piece	<b>60118-145</b>
<b>Additional second GND/earthing rail</b> , length 480 mm, 1 piece	<b>60118-144</b>
<b>Terminal clamps for GND/earthing rail</b> , cable cross section 4 mm <sup>2</sup> , PU 20 pieces	<b>20118-366</b>
<b>Terminal clamps for GND/earthing rail</b> , cable cross section 16 mm <sup>2</sup> , PU 10 pieces	<b>20118-365</b>
<b>Terminal clamps for GND/earthing rail</b> , cable cross section 35 mm <sup>2</sup> , PU 5 pieces	<b>20118-364</b>
<b>Delivery: supplied loose with cabinet or frame</b>	<b>Part no./35</b>

#### Note

- Please order terminal clamps or second rail separately

### GND/earthing rail, flat strip



- To screw on GND/earthing cables with ring tags
- Threaded fixing points M5 in intervals of 20 mm
- Fixing insulated from the frame

#### Delivery comprises

Item	Qty	Description
1	1	Rail, Ms, untreated, 1000 x 15 x 3 mm, fixing points M5 in intervals of 20 mm
2	2	Rail support block, plastic
3	1	Assembly kit for cabinet assembly

#### Order Information

Description	Qty/PU	Part no.
GND/earthing rail, flat strip	1	<b>20118-590</b>
GND/earthing rail, flat strip	10	<b>20118-591</b>

#### Accessories

<b>Item 4</b> Panhead screw M5 x 10, St, zinc-plated, PU 100 pieces	<b>21120-150</b>
<b>Delivery: supplied loose with cabinet or frame</b>	<b>Part no./35</b>

#### Note

- Please order panhead screw M5 to screw on GND/earth cable separately