

Cabinet Accessories – Socket strips

SCHUKO socket strip, Master-Slave



00704007 DTA44115

- When the master unit is switched on the slave outlets are connected to the mains (switch threshold adjustable)
- Mounting height 1 U
- Connecting cable 2 m with SCHUKO/UTE plug
- Socket strips can be rotated through all four directions (in 90° increments) during installation
- Horizontal or vertical mounting
- 110 ... 230 V, 16 A
- In accordance with DIN 57620



Delivery comprises (assembled)

Item	Qty	Description
1	1	Al extrusion, 1 U, anodised, for sockets
2	6	SCHUKO sockets (35° rotated, PA, RAL 7035)
3	2	End piece, PA, RAL 7035
4	1	Connecting cable, black, 2 m, 05VV-F 3G 1.5 mm ² , with SCHUKO/UTE connector, PVC, encapsulated
5	2	Mounting bracket, PA, RAL 7035

Order Information

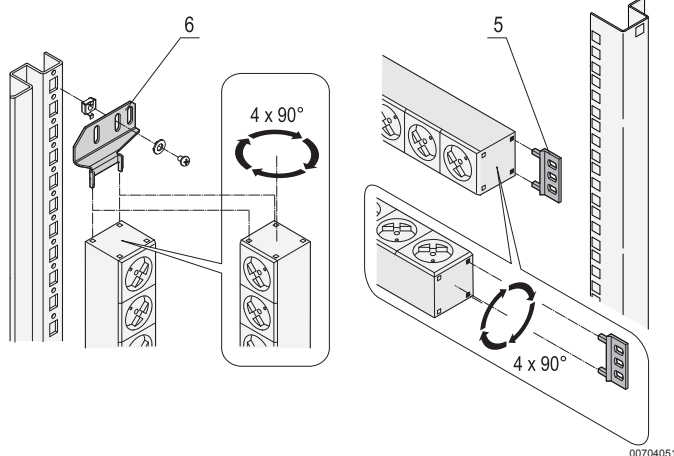
Sockets	Length Inch	Length mm	Depth mm	Part no.
6	19"	438.5	44	60110-270
Item 6	Mounting bracket for socket strips for vertical mounting, St, 2 mm, PU 2 pieces			20110-068
Delivery: fitted in cabinet or on frame				Part no./05
Delivery: supplied loose with cabinet or frame				Part no./35

Note

- Please order mounting bracket for vertical mounting separately
- Individual online configuration www.schroff.biz/conf



For further information www.schroff.biz/oneclick
oneClick search code = Part no.



Item 6: bracket for vertical mounting



ServicePLUS see page 3.71