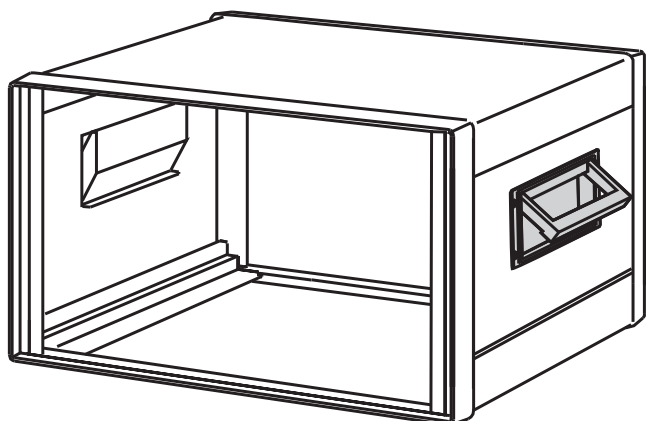


Desk-top cases - *comptec*

Folding handle



CTTP0006

- Folding handles can be used instead of the pre-fitted handle shells
- Load-carrying capacity: 50 kg/pair

Delivery comprises (kit)

Item	Qty	Description
1	2	Folding handle, Al die-cast, RAL 7016
2	1	Assembly kit

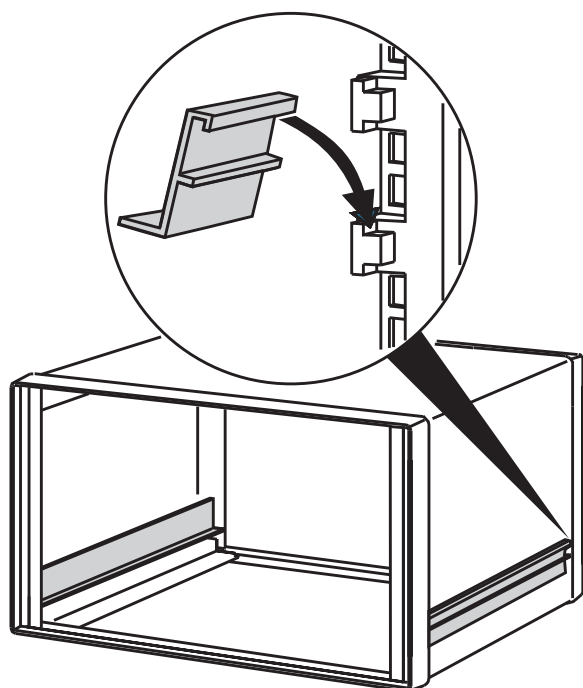
Order Information

Description	Part no.
Folding handle	20225-439



For further information www.schroff.biz/oneclick
oneClick search code = Part no.

Slide rails



CTTP0005

- Slide rails are suitable as support for 19" subracks and 19" chassis

Delivery comprises

Item	Qty	Description
1	1	Slide rail, Al extrusion, anodised, cut edges plain, static load-carrying capacity 10 kg

Order Information

For case depth mm	Part no.
300	30225-089
400	30225-090
500	30225-091
600	30225-092

Note

- 2 slide rails are required per subrack or 19" chassis



For further information www.schroff.biz/oneclick
oneClick search code = Part no.