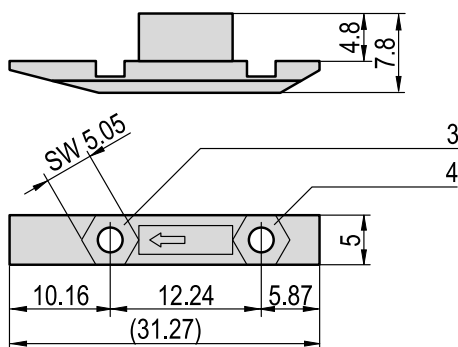
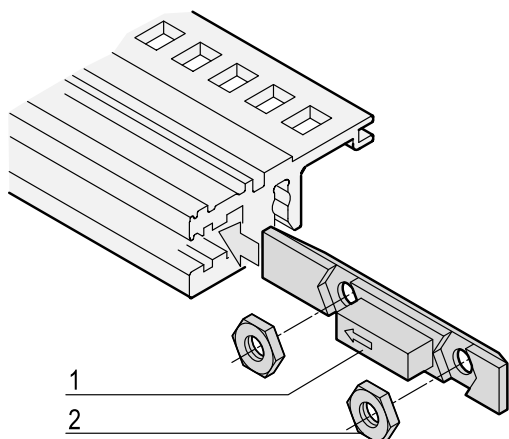


Subracks - *europac PRO* ServicePLUS

Slide, to accomodate 2 nuts



- The slide is pushed into the groove of the horizontal rail to front or rear (type VT)

Delivery comprises (kit)

| Item | Qty | Description |
|------|-----|----------------------------|
| 1 | 1 | Slide, PBT, red, UL 94 V-0 |
| 2 | 2 | Nut, M2.5, St, zinc-plated |

Order Information

| Description | | Part no. |
|-----------------|---------------------|-----------|
| Slide nut kit 1 | 100 slides/200 nuts | 24560-165 |
| Slide nut kit 2 | 12 slides/24 nuts | 24560-166 |

Note

- Nuts used in item 3 suitable for:
 - hinged front panels, 84 HP
 - front or rear panels, 84 HP
- Nuts used in item 4 suitable for:
 - hinged front panels
- Nuts used in item 3 and 4 suitable for:
 - two front panels



For further information www.schroff.biz/oneclick
oneClick search code = Part no.

06702060