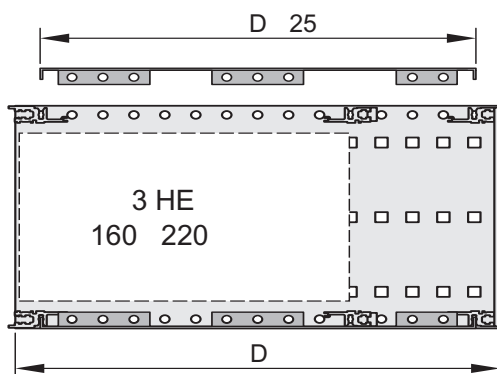
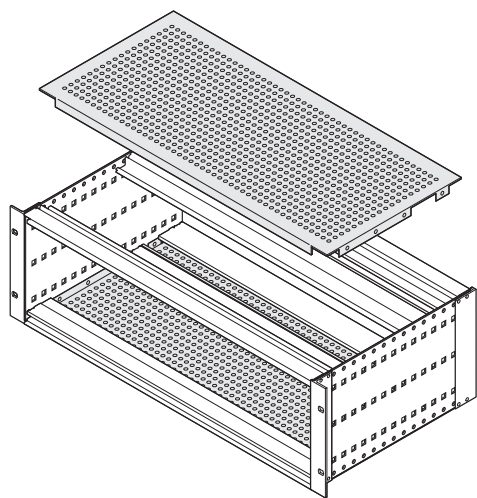


Subracks - *europac PRO* for railway applications

Cover plate for screw-fixing onto side panel



Side view for 175 mm and 235 mm depths

- Suitable for use with all horizontal rails
- Cover plate for mounting of 160 mm, 220 mm or 280 mm deep PCBs
- Lateral notch to mount the horizontal rails in depths of 160 mm or 220 mm
- Shielding by optional EMC stainless steel contact strips between cover plate and horizontal rail

Delivery comprises

Item	Qty	Description
1	2	Cover plate, Al, 1.0 mm, clear chromated, hole diameter 4.0 mm, (no perforation at 55 mm depth)
2	16/32	Torx M4 x 6 pentaform bolts, St, zinc-plated

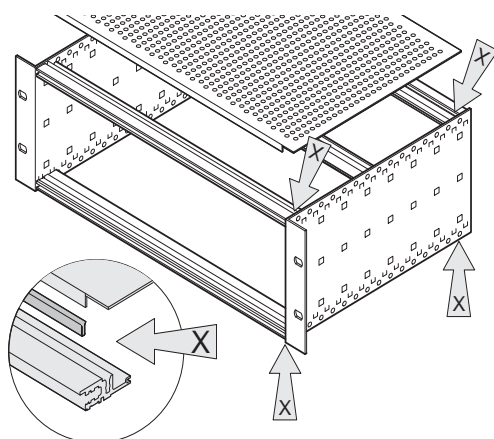
Order Information

Width HP	Depth D mm	Application	Part no.
84	55	–	21500-038
84	175	160	21500-048
84	235	160, 220	21500-037
36	55	–	21500-123
36	175	160	21500-124
36	220	160, 220	21500-122

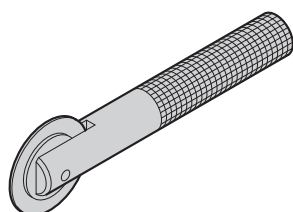
Note

- 4 stainless steel EMC gaskets are necessary per subrack, see page 6.82

EMC gasket (stainless steel) between cover plate and horizontal rail



Assembly tool



- Stainless steel gasket is clipped into horizontal rail and forms the contact cover plate
- Fits all horizontal rails

Order Information

Width HP	Length mm	Qty/PU pieces	Part no.
42	182.4	10	24560-241
63	284.0	10	24560-243
84	395.7	10	24560-245
84	395.7	100	24560-246

Assembly tool For mounting of EMC sealing, St, stainless, in horizontal rails, 1 piece 24560-271

Note

- When a rear hood is used, the stainless steel EMC gasket ensures the conductive connection between horizontal rail and rear hood



For further information www.schroff.biz/oneclick
oneClick search code = Part no.

aza45938