
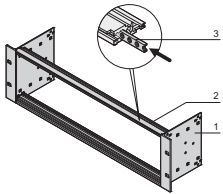
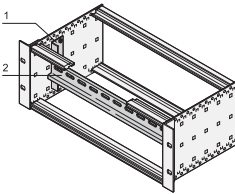
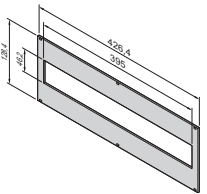
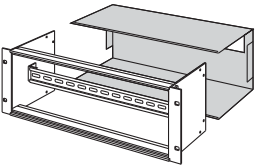


Subracks - *europac* **PRO** for industrial applications

19" module support, support rail to DIN 43880, hood

Order Information

 <p>01494031</p>	<p>19" module support to accommodate power distribution modules</p>  <p>bla43467</p> <p>3 U, 84 HP, 115.5 mm deep; 2 side panels Al, 2 mm; 2 horizontal rails with short lip (L-KD), Al extrusion, surface anodised, contact surfaces conductive; 2 threaded inserts, St, zinc-plated; GND/earthing kit; fixing material kit;</p> <p>Please order support rail separately</p> <p>PU 1 kit</p> <p>24563-100</p>	<p>Support rails to DIN 43880</p>  <p>06105080</p> <p>2 adaptor brackets, Al, 2 mm; support rail, St, zinc-plated, (35/7.5 mm); for width 84 HP (430.5 mm);</p> <p>Mounted in module support or subrack on the side panel</p> <p>PU 1 kit</p> <p>24565-100</p>	<p>Front panel for 19" module support</p>  <p>06111053</p> <p>3 U, 84 HP, Al, 2.5 mm, front anodised, rear iridescent green chromated; GND/earth connection 6.3 mm FASTON; (cut-out 395 mm x 46.2 mm); two blanking plates, plastic, polyester, colour similar to RAL 7035; to cover unused module slots</p> <p>1 piece</p> <p>24563-096</p>	<p>Hood</p>  <p>BLA43492</p> <p>Al, 1 mm, with brush strip; is bolted to the rear of the module support; GND/earthing kit</p> <p>1 piece</p> <p>24564-100</p>
---	---	--	---	--

Accessories

- Power distribution modules see page 3.34