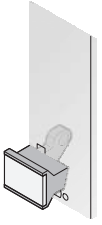
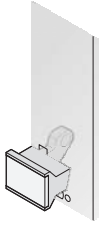
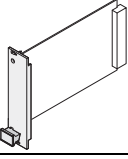
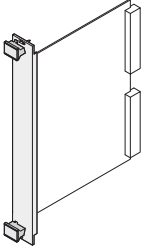


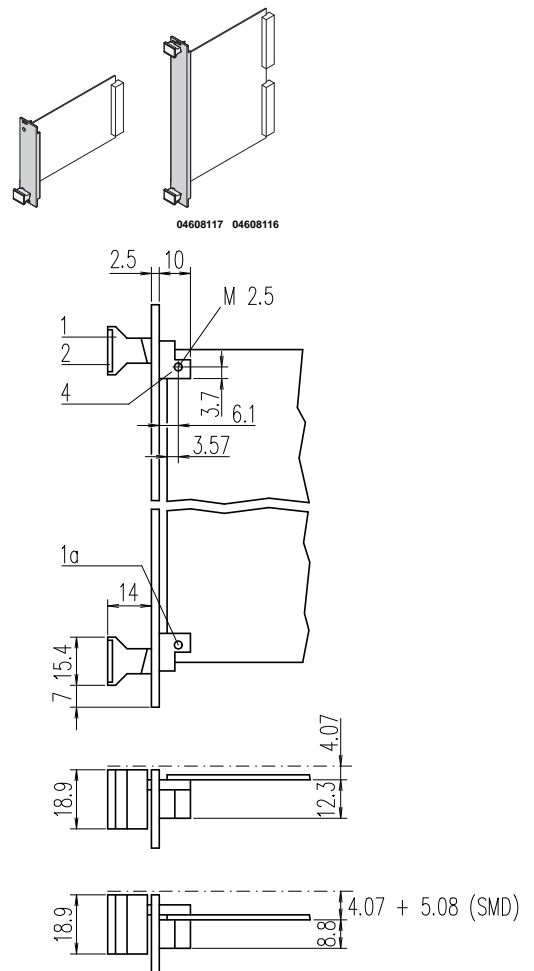
# Plug-in units - for VME

Individual components

Trapeziform extractor handles, type 1

## Order Information

		Trapeziform extractor handle	
		black	grey
			
		04608093	04608094
		handle closed laterally, PPE, UL 94 V-1, black; pivot bush; identification plate, Al, 1.5 mm, anodised, cut edges plain; board support die-cast zinc; in the 6 U version, space can be created for SMD components on the left side by swapping the top and bottom handles and thus moving the PCB position 1 HP to the right	
<b>Width HP</b>		<b>1 piece (SPQ 10)<sup>1)</sup></b>	<b>1 piece (SPQ 10)<sup>1)</sup></b>
		<b>3 U Height top</b>	
04608119		20817-329	20817-327
		<b>6 U Height top</b>	
04608118		20817-330	20817-328
		<b>bottom</b>	
		20817-329	20817-327



bga42556

1) SPQ (standard pack quantity): Part number includes 1 piece, but delivery is exclusively made in standard pack quantity (SPQ); please order at least the SPQ quantity or a multiple