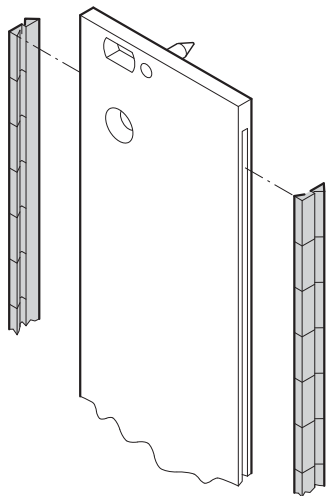


## Front panels

### Stainless steel EMC gasket



- The stainless steel EMC gaskets are inserted into the lateral slots of the shieldable front panels (2 pieces per front panel)

#### Delivery comprises

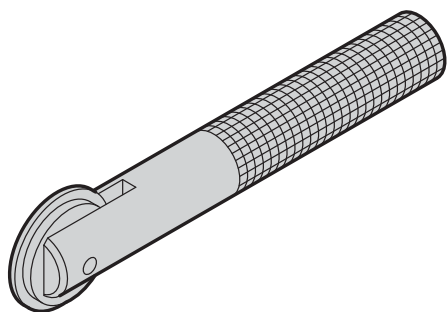
Item	Qty	Description
1	10/100	EMC gasket (stainless steel)

#### Order Information

Height U	Height mm	Qty/PU	Part no.
2	52	10	21101-775
3	97	10	21101-705
3	97	100	21101-706
4	142	10	21101-713
4	142	100	21101-714
5	187	10	21101-777
5	187	100	21101-778
6	232	10	21101-707
6	232	100	21101-708
9	367	10	21101-709
9	367	100	21101-710

**Assembly tool** for EMC gasket (stainless steel), 1 piece 24560-270

Assembly tool



bga45760

aza45937

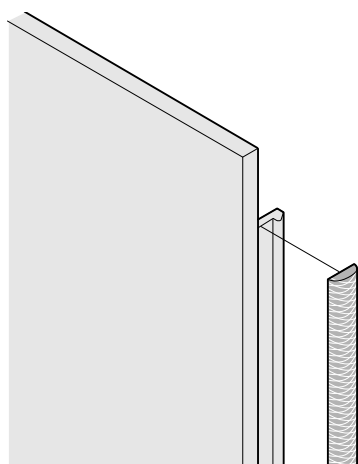
#### Note

- Please order assembly tool separately



For further information [www.schroff.biz/oneclick](http://www.schroff.biz/oneclick)  
oneClick search code = Part no.

### Textile EMC gasket



- The textile EMC gasket is glued laterally on the front panel, in the groove of the right-hand profile
- Temperature range -40 °C ... +70 °C

#### Delivery comprises ( )

Item	Qty	Description
1	10/100	Textile EMC gasket, core: foam, sleeve: textile cladding with CuNi coating

#### Order Information

Height U	Height mm	Qty/PU	Part no.
2	52	10	21101-857
3	97	10	21101-853
3	97	100	21101-854
4	142	10	21101-858
5	187	10	21101-978
6	232	10	21101-855
6	232	100	21101-856
9	365	10	21101-859
9	365	100	21101-904

04602054



For further information [www.schroff.biz/oneclick](http://www.schroff.biz/oneclick)  
oneClick search code = Part no.