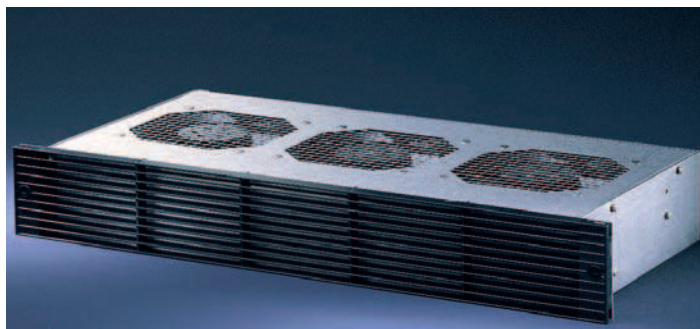
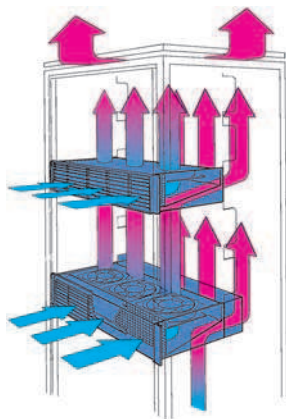
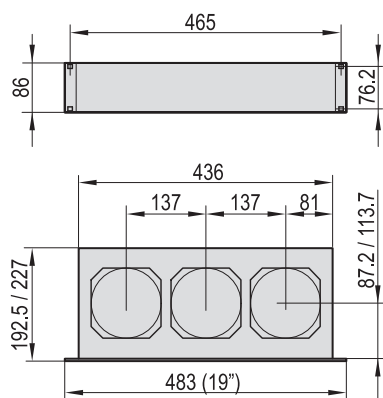


Climate control – 19" fan trays

19" pusher fan 2 U (depth 160 mm or 220 mm)



01194005



01103054A3527V

- Integrated air deflector prevents heat buildup in the assemblies mounted below
- Optionally with rear additional fan, 2 U, for active cooling of assemblies beneath the pusher fan
- Can be adapted to subracks
- Contact protection in accordance with DIN EN ISO 13857



Delivery comprises (ready to connect)

Item	Qty	Description
1	1	19" pusher fan 2 U, case, St, 1 mm, finish Al-Zn; front grille 2 U, PPO, UL 94 V-0 Filter mat, synthetic fibre, filter class G 2
2	3	Fan
3a	1	AC-version with plug (mains input, IEC 60320), incl. safety clamp, mechanical strain relief for mains input cable; socket to connect an optional supplementary fan
3b	1	Wide AC input range with DC fans, version as 3 a, additionally speed-controlled and monitored
3c	1	DC version with connecting cable, cable length 2.5 m

Note

- Supplementary fan for AC version see page 4.11
- Fan dimensioning, see page 4.18



ServicePLUS see page 4.19



For further information www.schroff.biz/oneclick
oneClick search code = Part no.

Order Information

Description	Front panel Al, anodised 86 ... 260 V _{AC} (fan 24 V _{DC}) 515 m ³ /h Part no.	Front panel, plastic, black					
		24 V _{DC} 515 m ³ /h Part no.	115 V _{AC} 300/330 m ³ /h Part no.	115 V _{AC} 445/530 m ³ /h Part no.	230 V _{AC} 300/330 m ³ /h Part no.	230 V _{AC} 445/530 m ³ /h Part no.	
For board depth 160 mm	19713-540	10713-537	10713-520	10713-536	10713-518	10713-534	
For board depth 220 mm	–	10713-529	–	10713-528	–	10713-526	
Replacement fan piece	20713-240	20713-240	20713-147	20713-244	20700-001	20713-243	
Equipment cable SCHUKO/UTE SCHUKO/UTE plug, IEC 60320 C13 socket, 2.5 m, 1 piece						60103-131	
Equipment cable BS British Standard plug, IEC 60320 C13 socket, 2.5 m, 1 piece						60103-137	
Equipment cable USA USA plug, IEC 60320 socket, 2 m, 1 piece						60103-141	
Side panel connecting bracket between europac subrack, including fixing material kit						21101-104	
Side panel connecting bracket between europacPRO subrack and fan, including fixing material kit, PU 4 pieces						21101-954	
Spare filter mat PU 3 pieces						60713-501	

Technical data with 3 fans

Voltage	24 V _{DC}		115 V _{AC}				230 V _{AC}			
	24 V _{DC}	24 V _{DC}	50	60	50	60	50	60	50	60
Frequency in MHz	–	–	50	60	50	60	50	60	50	60
Airflow volume in m ³ /h	515	515	300	330	445	530	300	330	445	530
Noise level in dB(A)	59.8	59.8	52.2	56.1	55.2	58.2	52.2	56.1	55.2	58.5
Max. stat. pressure in Pa	68	68	41	41	78	88	41	41	78	88
Power consumption in W	24	24	42	33	46.5	43.5	42	33	45	42
Permissible ambient temperature in °C	–20 ... +70 °C	–20 ... +70 °C	–40 ... +70 °C				–40 ... +70 °C			
Life in h, ¹ at 40 °C, ² at 55 °C	20000 ²	20000 ²	50000 ¹		20000 ²		50000 ¹		20000 ²	