

Climate control – 19" fan trays

19" pusher fan 3 U



01102017

With cover plates, this pusher fan can be re-fitted to different cooling concepts

- Ventilation directed accurately to the electronics
- Air infeed from front, air exits at the top rear of cabinet (guided upwards by cover plates or via hoses to rear and upwards)
- Contact protection in accordance with DIN EN ISO 13857



Delivery comprises (ready for connection)

Item	Qty	Description
1	1	Case, St, 1 mm, AlZn; perforated hinged front panel, Al, 2.5 mm; filter mat, synthetic fibre, filter class G 2 in accordance with DIN EN 779
2	1	Radial fan with mains fuse
3	1	Plug (mains input, IEC 60320); safety clamp, mechanical strain relief for mains input cable

Order Information

Description	115 V _{AC}	230 V _{AC}
	Part no.	Part no.
19" pusher fan 3 U	10713-547	10713-546

Accessories

Equipment cable SCHUKO/UTE SCHUKO/UTE plug, IEC 60320 C13 socket, 2.5 m, 1 piece	60103-131
Equipment cable, BS British Standard plug, IEC 60320 C13 socket, 2.5 m, 1 piece	60103-137
Equipment cable, USA USA plug, IEC 60320 socket, 2 m, 1 piece	60103-141
Side panel connecting bracket between europac subrack and fan, including fixing material kit, PU 4 pieces	21101-958
Side panel connecting bracket between europacPRO subrack and fan, including fixing material kit, PU 4 pieces	21101-954
Spare filter mat PU 3 pieces	60713-868

Technical data

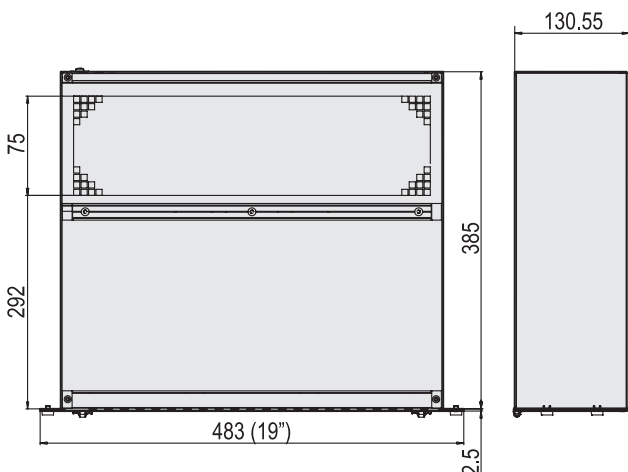
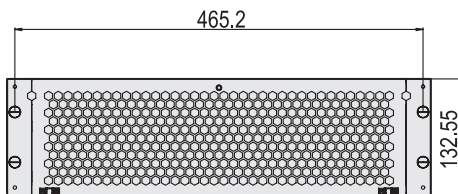
Voltage	115 VAC		230 VAC	
	Frequency in MHz	50	60	50
Airflow volume in m ³ /h	510	570	510	570
Noise level per fan in dB(A)	62	64	62	64
Max. stat. pressure in Pa	320	410	320	410
Power consumption in W	55	65	58	75
Max. ambient temperatures in °C	-20 ... +50		-20 ... +50	
Life in h at 55 °C	20000		20000	

Note

- Wide input voltage range 90 V ... 260 V_{AC} available on request
- Temperature control and function monitoring (alarm via RS 232) on request
- Air deflector plates for other cooling concepts see page 4.13
- Fan dimensioning see page 4.18



For further information www.schroff.biz/oneclick
oneClick search code = Part no.



01103052



ServicePLUS see page 4.19