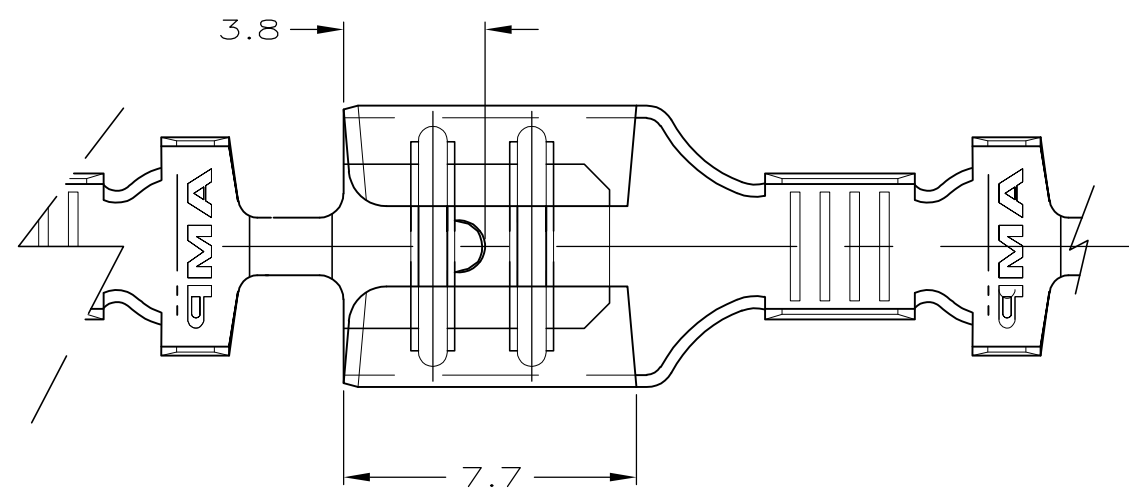
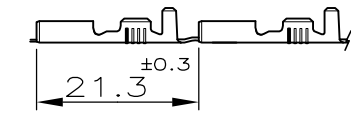


THIS DRAWING IS UNPUBLISHED. RELEASED FOR PUBLICATION  
 © COPYRIGHT - By - ALL RIGHTS RESERVED.

LOC	DIST	REVISIONS					
		P	LTR	DESCRIPTION	DATE	DWN	APVD
1	-		AW7	REVISED PER ECO-11-005301	02MAR11	RK	HMR



1) STATO DI FORNITURA - SCALA 1:1  
 (SUPPLY CONDITION - SCALE 1:1)



SENSO DI USCITA DEL TERMINALE DALLA BOBINA  
 (DIRECTION OFF TOP OF REEL)

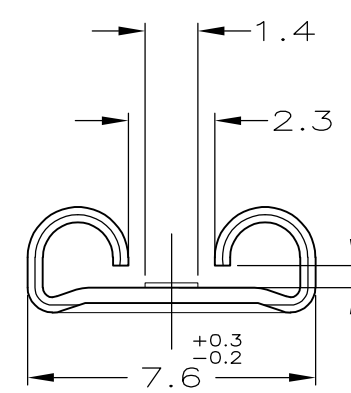
2) SPECIFICA DI PRODOTTO 108-20019  
 (PRODUCT SPEC. 108-20019)  
 SPECIFICA DI APPLICAZIONE 114-20023  
 (APPLICATION SPEC. 114-20023).

3) PER LE VERSIONI IN PEZZI SCIOLTI VEDERE DISEGNO 160506  
 (FOR LOOSE PIECE VERSION SEE DRAWING 160506).

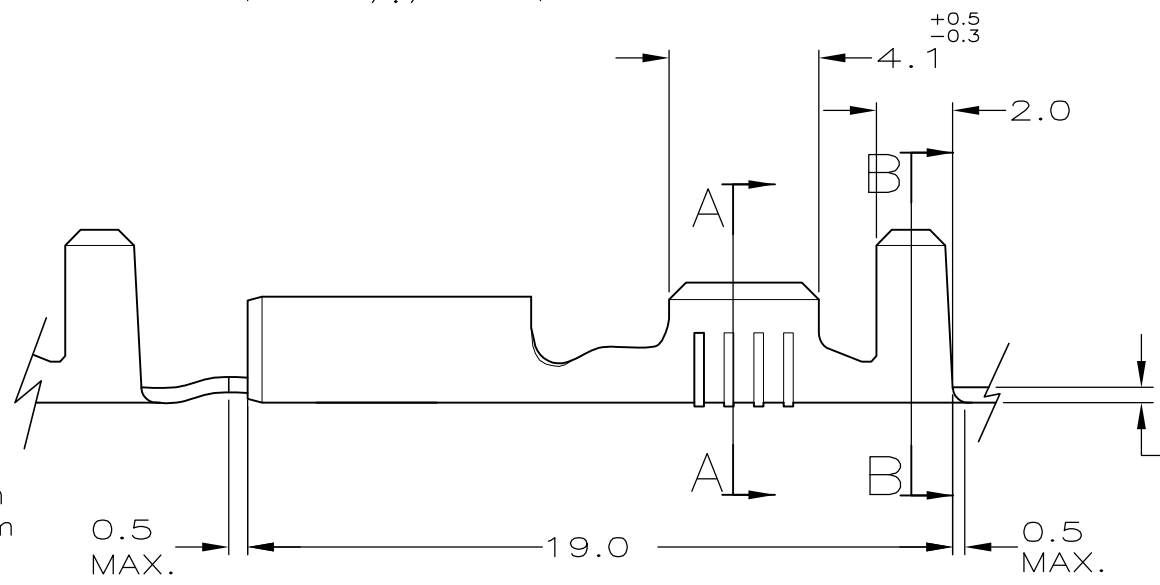
4) NON IN PRODUZIONE  
 (NOT YET RELEASE FOR PRODUCTION)

5) ADATTO PER ALTA FORZA DI ESTRAZIONE  
 (SUITABLE FOR HIGHER EXTRACTION FORCE)

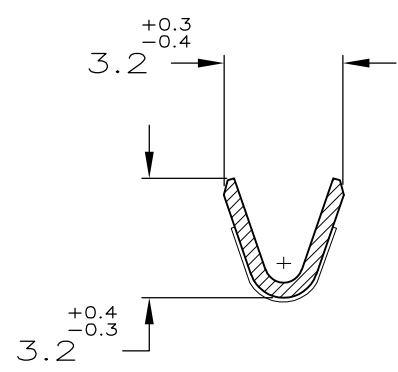
6) ADATTO PER TAB SPESSO 0.63mm.  
 (FOR 0.63mm TAB THK.)



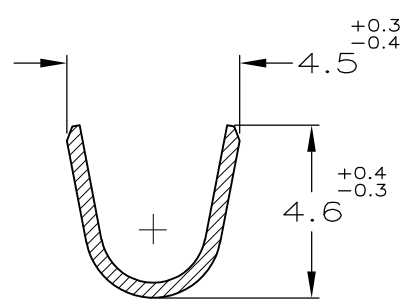
FOR 0.8mm & 0.63mm TAB THK.



SEZIONE A-A  
 (SECTION A-A)



SEZIONE B-B  
 (SECTION B-B)



NOTE (NOTES)	FINITURA (FINISH)	MATERIALE (MATERIAL)	NUMERO (P/N)	REV
6/4	STAGNATO (TINPLATED)	OTTONE (BRASS)	7-160432-3	AY
5/4	STAGNATO (TINPLATED)	OTTONE (BRASS)	7-160432-2	AW
5/4	NUDO (UNPLATED)	OTTONE (BRASS)	7-160432-1	AW
	STAGNATO (TINPLATED)	OTTONE (BRASS)	7-160432-0	AU
	NUDO (UNPLATED)	BRONZO FOSF.(PH. BRONZE)	6-160432-4	AU
	PRE NICHELATO (PRE NICKEL PLATED)	ACCIAIO (STEEL)	6-160432-3	AU
	STAGNATO (TINPLATED)	BRONZO FOSF.(PH. BRONZE)	6-160432-0	AU
	ARGRNTATO (SILVER PLATED)	OTTONE (BRASS)	5-160432-7	AW
	STAGNATO (TINPLATED)	OTTONE (BRASS)	5-160432-4	AU
	NUDO (UNPLATED)	OTTONE (BRASS)	5-160432-3	AW

THIS DRAWING IS A CONTROLLED DOCUMENT.

DIMENSIONS: mm	TOLERANCES UNLESS OTHERWISE SPECIFIED: ±0.3	DWN H.YAALI 14 MAY 99	 <b>STE</b> TE Connectivity
0 PLC ±	1 PLC ±	CHK C.TARTARI 14 MAY 99	
2 PLC ±	3 PLC ±	APVD -	
4 PLC ±	ANGLES ±2°	PRODUCT SPEC -	NAME
MATERIAL/MATERIALE	FINISH/FINITURA	APPLICATION SPEC	FASTON® Connector .250 SERIES REC. CONTACT
SEE TABLE (VEDI LA TABELLA)	SEE TABLE (VEDI LA TABELLA)	WEIGHT -	SIZE A3 CAGE CODE 00779 DRAWING NO C-160432 RESTRICTED TO -
CUSTOMER DRAWING		SCALE -	SHEET 1 OF 1 REV AW7