

MESH SIDED PLATFORM TRUCK

Assembly Instructions

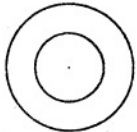
PRODUCT SPECIFICATION
Size (mm) H×W×D: O/A 1150×515×1130
Internal Flatbed Size: (mm) W×D 495×955
Capacity: 250kg
Tyre Type: Pneumatic
Tyre Size: 260mm
※ Inflate Tyres to 32 PSI



1. Remove parts from carton. Place carton on flat surface and complete assembly on the carton to keep from scratching or damaging the finish of parts.

To assemble truck use a 13mm socket wrench, an adjustable crescent wrench or the wrench provided in the hardware package.

PARTS LIST



12 mm washer
4 pieces



8 mm washer
19 pieces



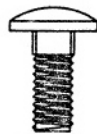
8 mm nut
19 pieces



12 mm nylon lock nuts
4 pieces



8 x 58 mm bolt
1 piece



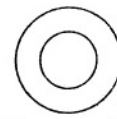
8 x 20 mm bolt
14 piece



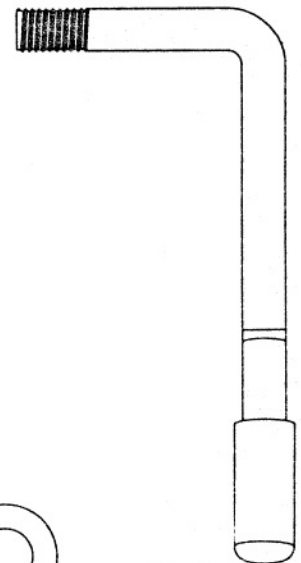
R pin
8 pieces



B pin
1 piece



10 mm washer
1 piece



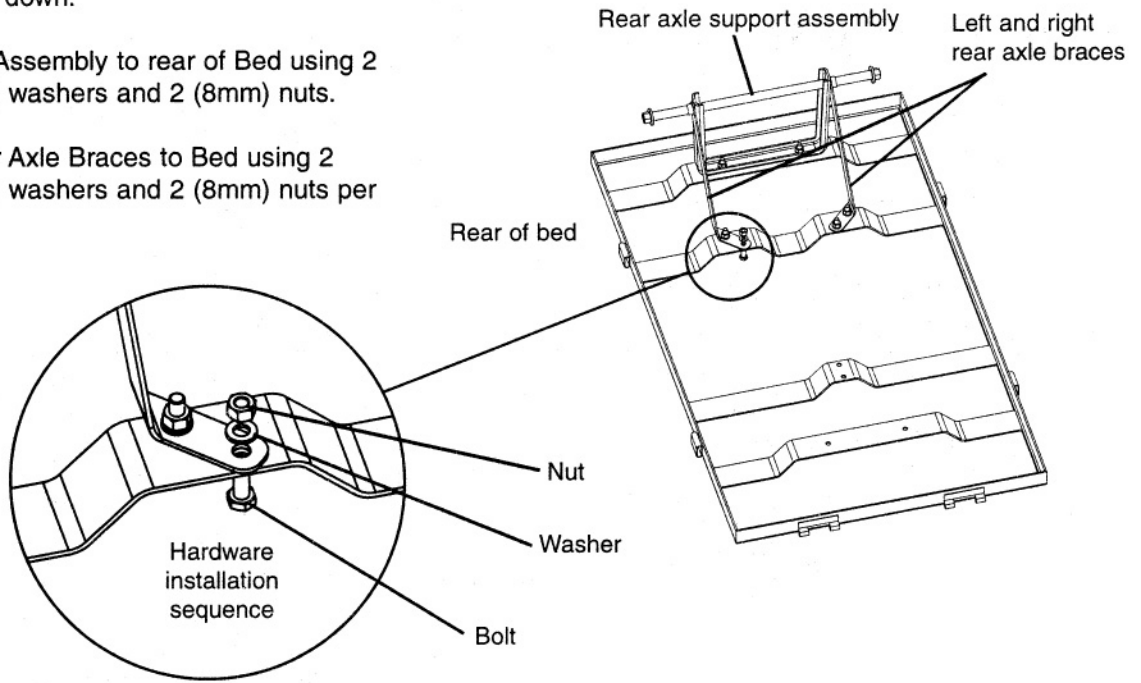
Side Panel Lock Lever
4 pieces

Quality Control No.

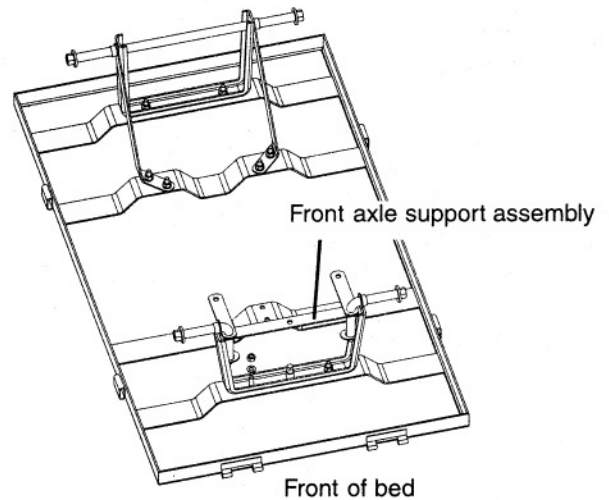
2. Turn truck Bed upside down.

Attach Rear Axle Support Assembly to rear of Bed using 2 (8 x 20 mm) bolts, 2 (8mm) washers and 2 (8mm) nuts.

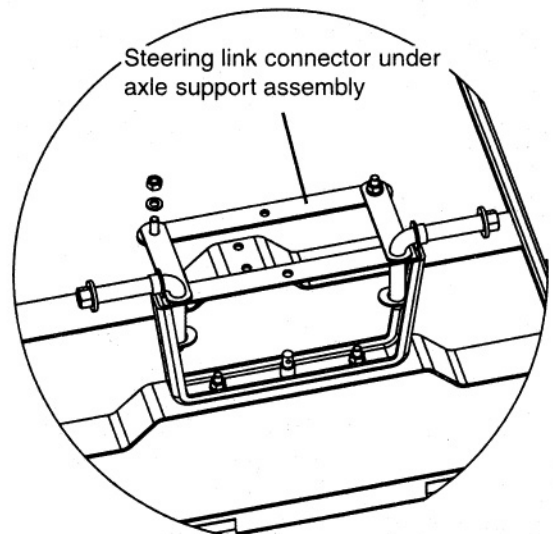
Attach Left and Right Rear Axle Braces to Bed using 2 (8 x 20 mm) bolts, 2 (8mm) washers and 2 (8mm) nuts per side.



3. Attach Front Axle Support Assembly to front of Bed using 2 (8 x 20 mm) bolts, 2 (8mm) washers and 2 (8mm) nuts.

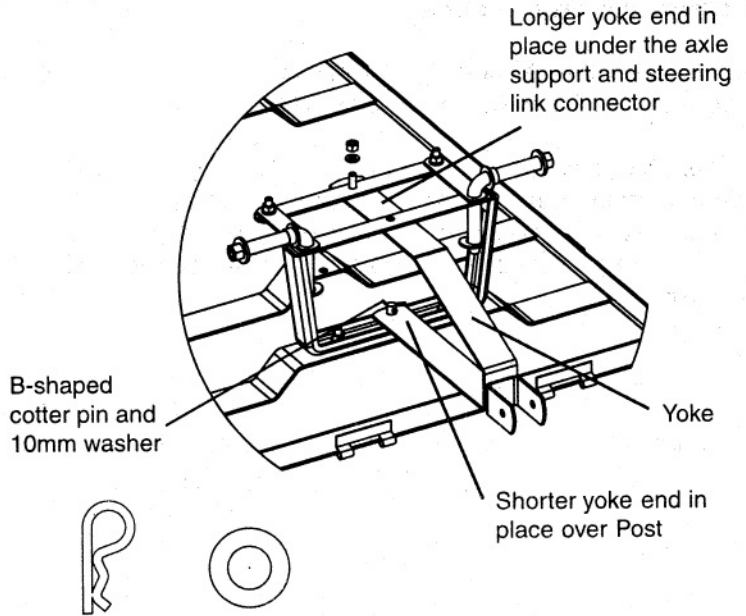


4. Place Steering Link Connector under Front Axle Support Assembly as shown in illustration and attach by using 2 (8 x 20 mm) bolts, 2 (8mm) washers and 2 (8mm) nuts. Tighten bolts fully and then loosen one half turn for easier steering movement.



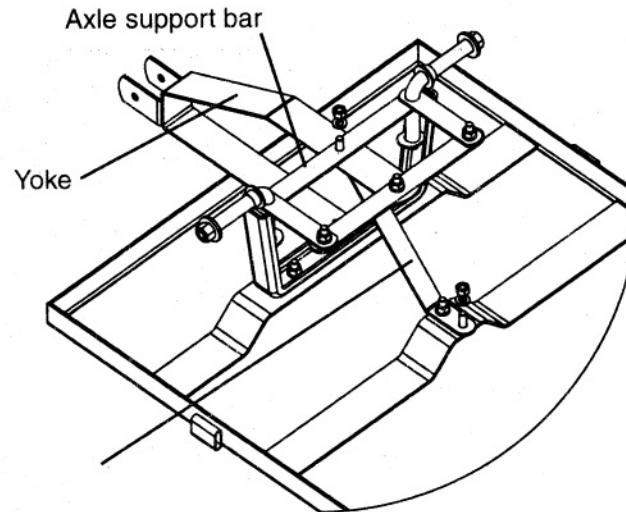
5. Attach the Yoke to Front Axle Support Assembly. The shorter Yoke end should be facing down and the hole will line up on the post from Front Axle Support Assembly. Secure with B-shaped Cotter Pin and washer (10mm).

The longer Yoke end will slide under the Axle Support and Steering Linkage Connector. This is attached with one (8 x 20 mm) bolt, one (8mm) washer and one (8mm) nut through the hole in the Steering Link Connector and the rear hole of the Yoke. Tighten bolt fully and then loosen one half turn for easier steering movement.



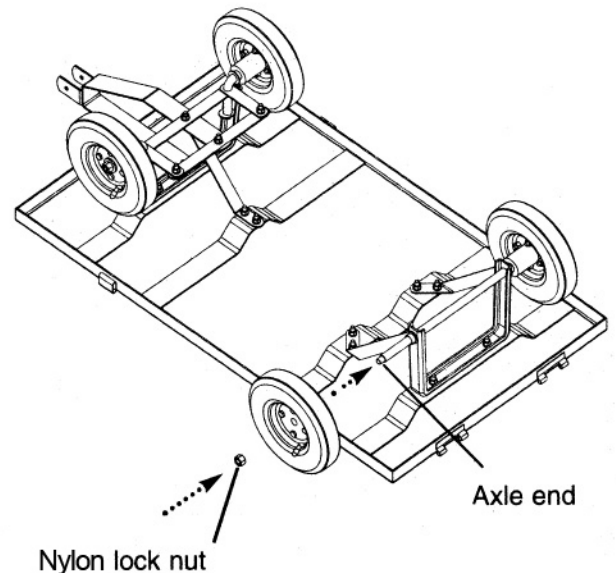
6. Align the Center Front Axle Brace under the hole of the Axle Support Bar and the front hole of the Yoke arm, secure with one (8 x 20mm) bolt, one (8mm) washer and one (8mm) nut. Tighten bolt fully and then loosen one half turn for easier steering movement.

Attach Center Front Axle Brace to Bed using 2 (8 x 20mm) bolts, 2 (8mm) washers and 2 (8mm) nuts. Tighten bolts fully.



7. To attach the wheels, first remove (12mm) Nylon Lock Nut from axle end, slide a Wheel on to axle and secure with the (12mm) Nylon Lock Nut that you removed.

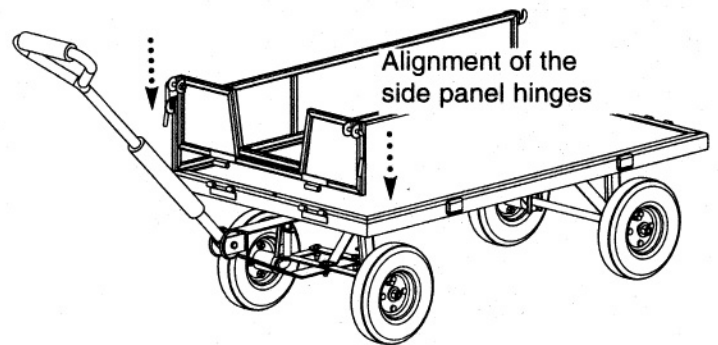
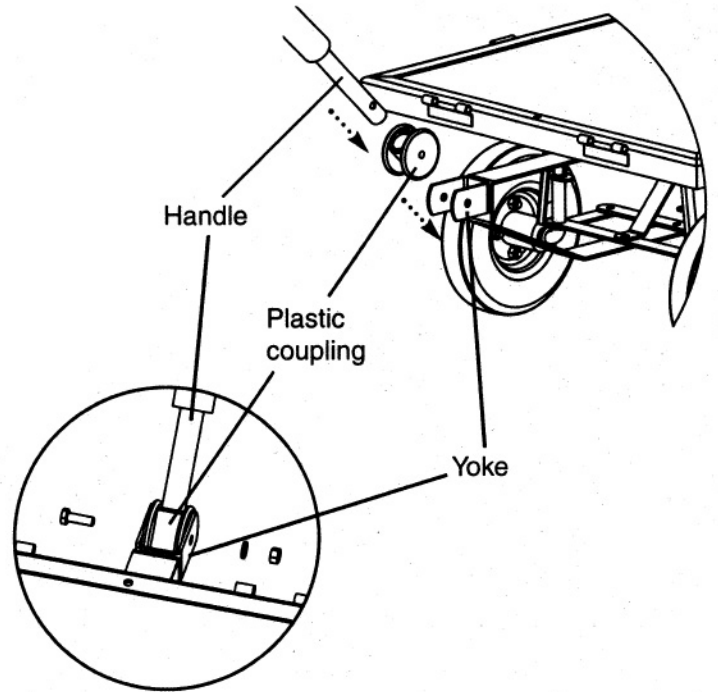
Complete step for all 4 wheels.



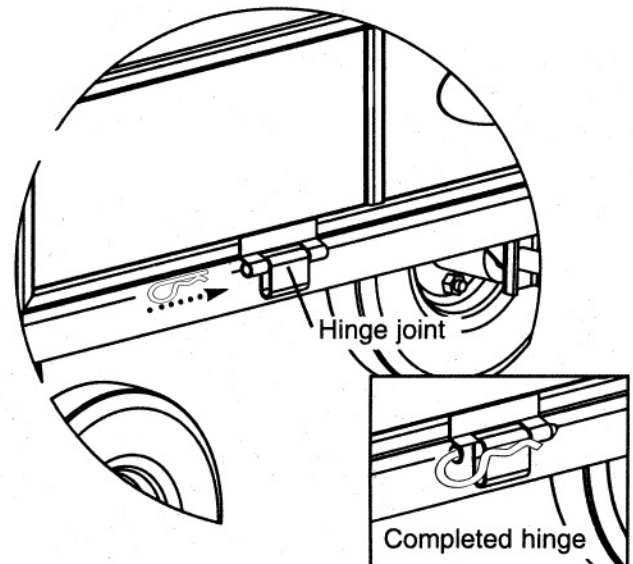
Turn truck over onto wheels.

8. Remove the (8 x 58mm) bolt, (8mm) washer and (8mm) nut from the Plastic Coupling on the Handle.

Keep the Plastic Coupling on the Handle and place in Yoke. Secure both to Yoke using the (8 x 58mm) bolt, (8mm) washer and (8mm) nut that you removed. Tighten bolt fully and then loosen one half turn for easier Handle movement.

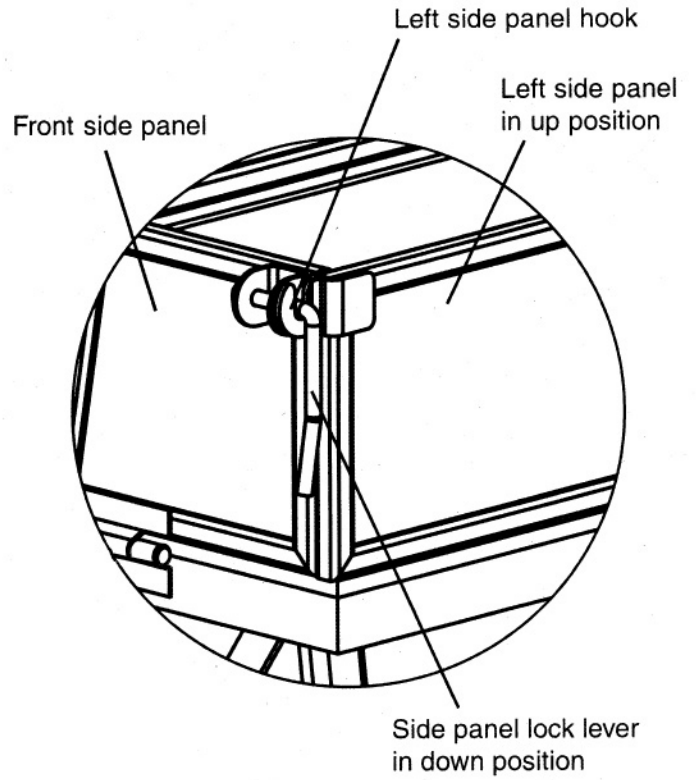


9. One at a time, attach the Side Panels by aligning the hinges, sliding a R Pin



10. To lock the Sides in place, hold Side Panel in the up position. Rotate Side Panel Lock Lever from the up position to the down position and in doing so capture the Side Panel hook.

To fold truck sides down rotate the Side Panel Lock Levers into the up position and fold panels down.)



11. If desired, you may store the truck on its end. If doing so, please exercise caution so the truck does not fall over.

