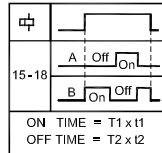


Feature:

Asymmetric On-Off / Off-On Timer:

- 17.5mm wide
- Time setting from: 1 s; 10 s; 1 min; 10 min; 1 h; 10 h; 100 h.
- LED status indicators: Power On (Green) and Relay status (Amber).
- Cadmium free contact material.

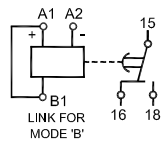
FUNCTION DIAGRAM :



NOTE:

1. T1 and T2 are detent pots for Time selection
2. t1 and t2 are smooth pots for Range Selection

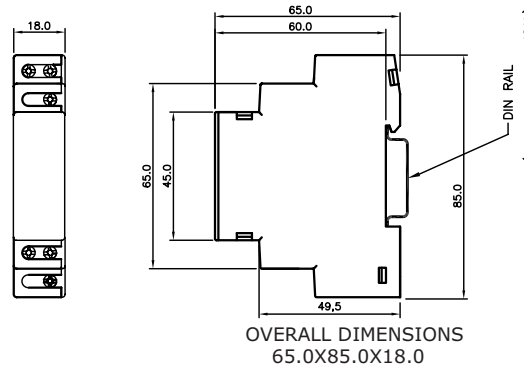
Connection Diagram:



MODE SELECTION:

MODE	SELECTION
ASYMMETRIC OFF - ON	Do not connect Link between A1 & B1
ASYMMETRIC ON - OFF	Connect Link between A1 & B1

Overall product dimensions and mounting details :



INSTALLATION:

- a. DIN-Rail Mounting:
The Timer should be mounted on 35 mm symmetrical DIN Rail.

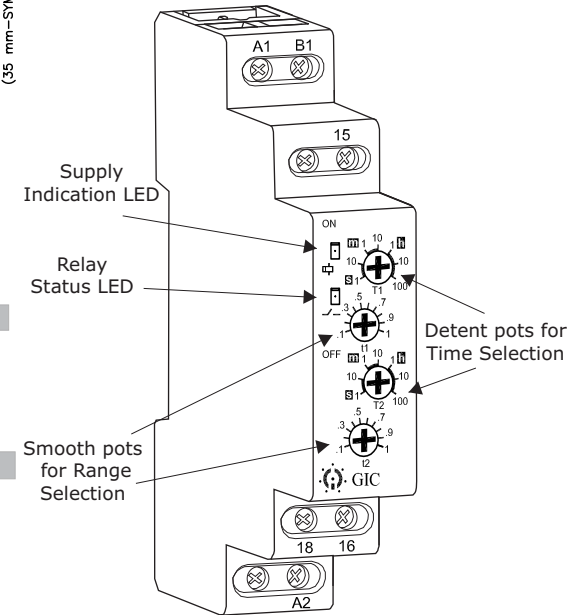
CAUTION:

1. Always follow the instructions stated in this product leaflet.
2. Before installation, check to ensure that the specifications agree with the intended application.
3. Installation to be done by skilled electrician.
4. Automation & Control devices must be properly installed so that they are protected against any risk of involuntary actuations.
5. Suitable dampers should be provided in case of excessive vibrations.
6. Use of 250 mA fuse in series with product supply is recommended, for protection.
7. The timers shall be placed in an enclosure that is minimum 200% of the size of the timer in the end use application.
8. Setting of all potentiometers must be done in the clockwise direction only.
9. At power on to detect the proper mode, 100 ms (minimum) stable signal input should be present.
10. Keep at least 1 cm clearance from both side while using this product.





ASYMMETRIC ON OFF / OFF ON TIMER

RS Stock No: 896-6826



TERMINAL DETAILS:

 Ø3.5...4.0 mm	Torque 0.6 N.m (6 Lb.in) Terminal screw - M3
	1 x 0.8..4 mm ² Solid / Stranded Wire
AWG	1 x 18 to 10

Use Cu wire of 75°C only.

AWG	CURRENT (A)
12	5.00
14	3.33
16	1.67