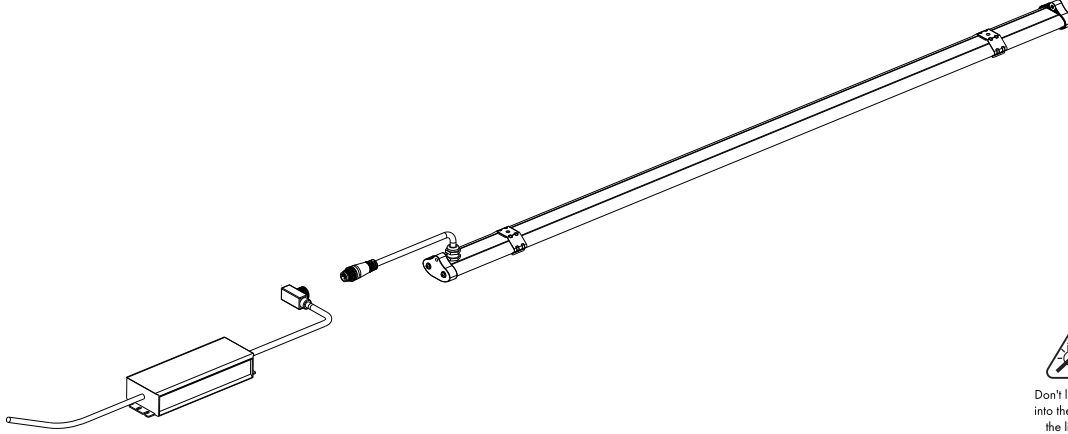




Siena LED Grow Light Installation Guide



Don't look directly into the light when the light is on.

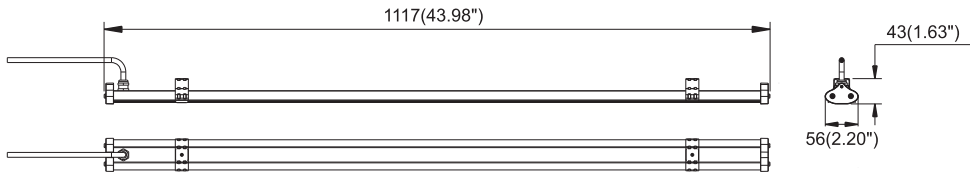


Don't install the light flat to the ceiling.

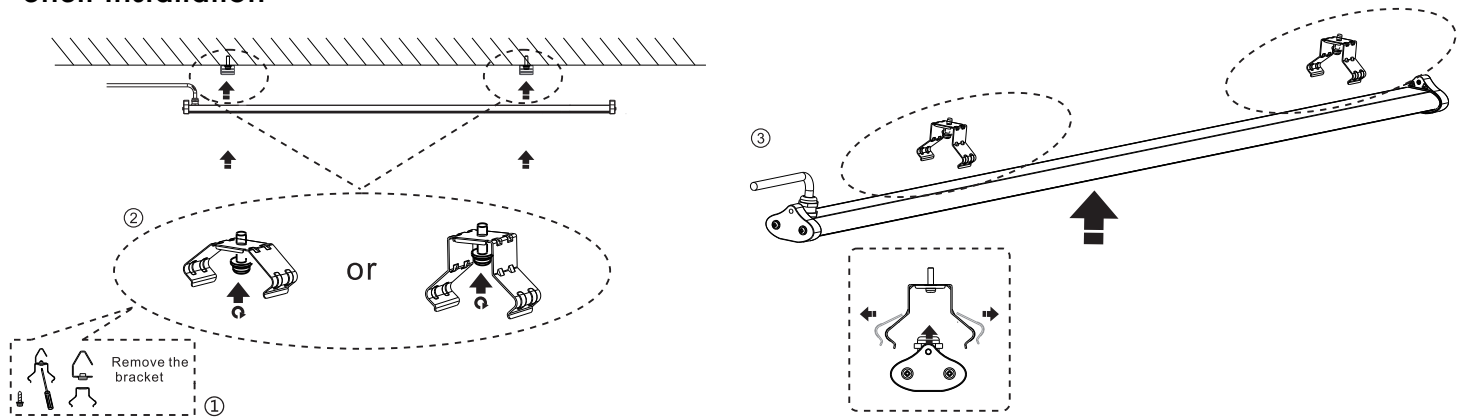


Don't install into the ceiling cavity.

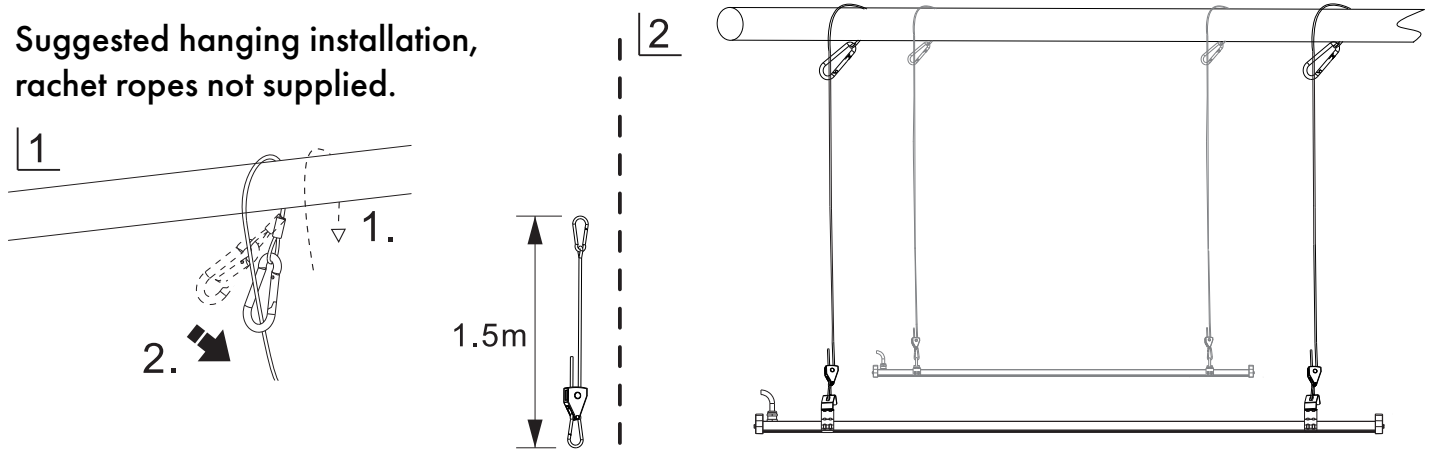
Physical Dimensions(Unit: mm/inch)



Shelf Installation



Suggested hanging installation, ratchet ropes not supplied.



220V		
series connection quantity (pcs)	power	
	40W	75W
voltage		
17AWG	36	20
1 5mm ²	50	30

MAINTENANCE - Use a damp cloth or sponge to clean the plastic LED lens cover. Do not apply pressure jets or allow water to enter the Siena LED Grow Light. If this happens turn off power to the light, un-install it and return to your distributor using its original packaging.

SERVICE - There are no user-serviceable parts in the Siena LED Grow Light. If the LED light fails or its' output falls at end of life, turn off power to the Siena LED Grow Light, un-install it and return to your distributor using its original packaging. The Siena LED Grow Light contains electronics, thus must not be disposed of in municipal waste. Contact your distributor to arrange for return or use a local WEEE product retrievals company.

MOUNTING - The Siena LED Grow Light is designed to be suspended from above via the mounting brackets, to suitable parts of a fixture that can withstand its weight. No strain is to be applied to the supply cable.