

UT261B

Operating Manual



Phase Sequence and Motor Rotation Indicator

I. Preface

Dear users:
 Congratulations on your purchase of UNI-T UT261B Phase Sequence and Motor Rotation Indicator. To operate the instrument correctly, please read this Manual carefully and especially its "Safety Information" before use.
 After reading it, you are recommended to keep the manual properly. Please keep it with the instrument together or place it in an accessible location for future use.

II. Overview

UT261B Phase Sequence and Motor Rotation Indicator (hereinafter referred to be as UT261B) is a handheld battery powered instrument, widely used to identify phase orientation of three-phase industrial equipments and motor rotation direction.

III. Unpacking Inspection

Check the product for any crack or scratch. If any item is missing or damaged, please contact nearby UNIT service center.

Standard items included in the shipment:

- The Instrument-----1 pc
- Operating Manual-----1pc
- Test Leads-----3pcs
- Alligator Clips-----3pcs
- Carrying Bag-----1pc
- 9V Battery-----1pc

IV. Safety Information

- ⚠ Caution:** Specifies the conditions and actions that may cause damage to UT261B.
- ⚠ Warning:** Specifies the conditions and actions that may pose hazards to the User.

To prevent electric shocking or fire, it is necessary to comply with the following codes:

- It is required to read through following safety instructions prior to operation or maintenance;
- Comply with local and national safety codes;
- It is required to use personal protective equipments;
- It is required to operate the instrument as per the instructions of manufacturer, or otherwise the safety features/protective measures provided by the instrument may be affected;
- Inspect the insulator of testing lead for damage or exposed metal; inspect testing lead for continuity and replace the damaged testing lead.
- Please take extreme caution when working with voltage higher than 30Vacrms, 42Vac Peak or 60Vdc, for it may pose electric hazard.
- Keep finger away from alligator clip contact and behind the finger protection device when using alligator clip.
- Adverse impact will be caused to the measurement by the impedance generated by the transient current of extra operating circuit in parallel;
- Please ensure the instrument operates normally prior to measuring dangerous voltage (30V ac rms, 42 V AC peak value or 60 V DC above)
- Testing time should not exceed 10min when measuring the voltage 500V ~ 600V AC above;
- Do not operate UT261B when removing any part;
- Do not operate UT261B around explosive gas, steam or dust;
- Do not operate UT261B in a wet place;
- It is required to remove testing lead from the power and UT261B prior to replacing the battery.

V. Functional Description

5.1 Symbols

Following symbols are applied on UT261B or in the manual.

	Risk of electric shock
	Warning
	Dangerous voltage
	Double or reinforced insulation
	Grounding
	AC or DC
	Comply with European Union directives
CAT III	Conforms to Overvoltage Category III, Pollution Degree 2 as per IEC61010-1. CATIII refers to the degree of protection against the transients and usually includes the equipments in fixed installations (eg: electricity meter and primary overcurrent protection device).

5.2 Instrument Description

See the instrument indicator, button and jack as shown in Figure 1:

Graphical description

- ① Phase input jack (U, V, W);
- ② L1, L2, L3 phase indicators;
- ③ Clockwise rotation LED indicator;
- ④ Counter-clockwise rotation LED indicator;
- ⑤ Power switch
- ⑥ Motor location indicator
- ⑦ Power LED indicator
- ⑧ Instruction Table

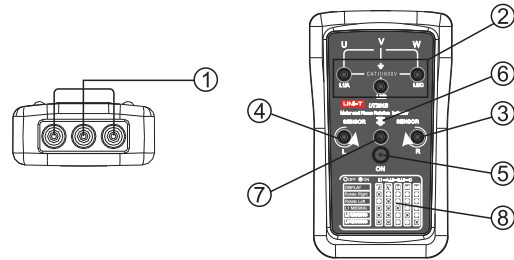


Figure 1

5.3 Operating Instruction

5.3.1 Determine Phase Sequence (Contact Type)

- Insert test leads (L1,L2,L3) into the corresponding input terminals of UT261B(U,V,W) respectively and then connect them to alligator clips.
- Then connect alligator clips in L1, L2 and L3 order to three phases of the system (eg: U,V and W terminals of three-phase instrument).
- Press down "ON" button, UT261B power indicator illuminates, release it, the button springs up automatically and the indicator turns off. Therefore you need to press down "ON" button in order to begin the test. When ON is pressed down, "Clockwise" (R) or "Counter-clockwise" (L) rotation indicator illuminates, indicating three-phase system is under "Positive" or "Negative" phase sequence.

5.3.2 Check Rotary Field (Motor Rotation, Non-Contact Type)

- Remove all test leads away from UT261B;
- Place UT261B towards the motor, in parallel with motor shaft. The bottom of the instrument should face the shaft (namely, UT261B is located in a direction contrary to that of the motor). Refer to Figure 1 for motor location indicator.
- Press "ON" button, power indicator illuminates and the test begins. "Clockwise" (R) or "Counter-clockwise" (L) rotation indicator illuminates, indicating the motor is rotating in a "clockwise" or "counter-clockwise" direction. See Figure 2 for details.

R LED indicator is on when the motor rotates clockwise.

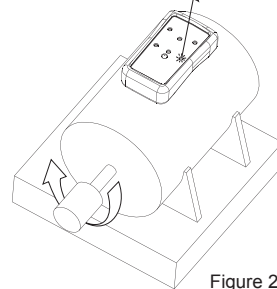


Figure 2

Note: This non-contact test is applicable for both single-phase and three-phase motors. The instrument will be unable to indicate accurately with motors controlled by frequency converter, its LED indicators can not work normally.

5.4 Detect Magnetic Field

Place UT261B into solenoid valve, press "ON" button. If "Clockwise" (R) or "Counter-clockwise" (L) rotation indicator illuminates, indicating magnetic field exists in the area.

VI. Maintenance

⚠ Note

To prevent damage to UT261B:

- Repairing or Maintaining UT261B can only be performed by qualified technicians.
- Make sure you know clearly precise calibration procedures and function tests, and read enough maintenance information.

- Do not use corrosive or solution since those substances will cause damage to the chassis of UT261B.
- Prior to cleaning, remove all testing leads from UT261B.

Replacement and disposal of battery

⚠ Note, Warning

- To prevent electric shocking, it is necessary to remove all testing leads from UT261B prior to replacing the battery.
- UT261B contains 9V/6F22 battery, do not discard the battery with other solid wastes and the used battery should be handed over to the qualified waste collector or dangerous substance transporter for proper treatment and disposal.

Please replace the battery as follows and see the Figure 3:

- Remove all testing leads from UT261B.
- Take off the protective casing.
- Place UT261B with face down on the non-abrasive surface, and screw out screws on the battery cover with proper screw driver.
- Take off battery cover from UT261B and take out battery after loosening the battery buckle.
- Replace battery as per the method shown in the figure, and watch out for the battery polarity.
- Reinstall the battery cover with screws.
- Load the protective casing for UT261B.

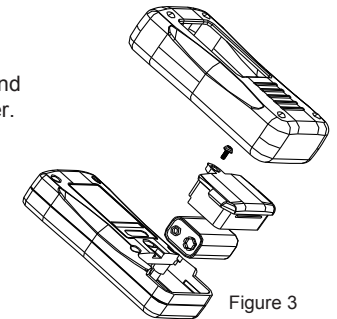


Figure 3

VII. Specification

Ambient	
Working temperature	0°C ~ 40°C (32°F ~ 104°F)
Storage temperature	0°C ~ 50°C (32°F ~ 122°F)
Altitude	2000 m
Humidity	≤95%
Pollution Degree	2
IP grade	IP 40
Mechanical	
Dimensions	123mm×71mm×29mm (4.8in×2.8in×1.1in)
Weight	192g
Safety	
Compliances	Comply with IEC61010/EN61010, IEC 61557-7
Maximum operating voltage (Ume)	600V
CAT Rating	CAT III 600V
Electrical	
Power	9V/6F22 battery
Battery life	approximately 1 year of normal use
Phase indication	
Nominal voltage	90VAC ~ 600VAC
Frequency range (fn)	15Hz ~ 400 HZ
Nominal test current (subject to each phase)	<3 mA
Non-contact rotating magnetic field indication	
Nominal voltage rotating direction value	30VAC ~ 600VAC
Frequency range (fn)	15Hz ~ 400 HZ
Nominal test current (subject to each phase)	<3 mA


END

The manual information is subject to changes without prior notice!

Manufacturer:
Uni-Trend Technology (China) Limited
No 6, Gong Ye Bei 1st Road
Songshan Lake National High-Tech Industrial
Development Zone, Dongguan City
Guangdong Province
China
Postal Code:523 808

Headquarters:
Uni-Trend Group Limited
Rm901, 9/F, Nanyang Plaza
57 Hung To Road
Kwun Tong
Kowloon, Hong Kong
Tel: (852) 2950 9168
Fax: (852) 2950 9303
Email: info@uni-trend.com
http://www.uni-trend.com

说明书菲林做货要求:

序号	项目	内容	
1	尺寸	外尺寸: (285X210) ±1mm. 折叠成形尺寸: (142.5X105) ±1mm	
2	材质	60g书纸	
3	颜色	黑色, 双面印刷	
4	外观要求	印刷完整清晰, 版面整洁. 无分层. 残损. 毛边等缺陷	
5	装订方式	风琴折 (2折), 再中间对折, 封面图在外面	
6	表面处理	/	
7	其它	/	
版本		REV. 2	
DWH 设计	邓文良	MODEL 机型: UT261B	Part NO. 物料编号: 110401104488X
CHK 审核		 优利德科技(中国)有限公司 UNI-TREND TECHNOLOGY (CHINA) LIMITED	
APPRO. 批准	