



Operating manual

6248 N/2



Product type, manufacturing date (calendar week/year of construction) and if required, conformity mark can be found on the nameplate on the product.

Please provide us with the contents of the nameplate when making enquiries about the product.

ebm-papst St.Georgen GmbH & Co. KG
Hermann-Papst-Straße 1
D - 78112 St.Georgen

Phone: +49 (0) 7724 / 81-0
Fax: +49 (0) 7724 / 81-1309

info2@de.ebmpapst.com
www.ebmpapst.com

As per: 08.10.2019
Version: 1 6
Article number: 9295414124

Original operating manual

INDEX

1 SAFETY REGULATIONS AND INFORMATION	1
2 INTENDED USE	3
3 TECHNICAL DATA	3
4 CONNECTION AND COMMISSIONING	4
5 FAULTS, POSSIBLE CAUSES AND REMEDIES	5
6 COMPLIANCE	5

1 SAFETY REGULATIONS AND INFORMATION

Read the operating manual carefully before commencing work at the product. Pay attention to the following warnings to avoid risk to persons or malfunctioning.

This operating manual is an integral part of the product.

In the event of resale or change of ownership the operating manual must accompany the product. This operating manual may be copied and provided as information on potential risks and their avoidance.

Hazard classification of warning notices

The following risk ratings are used in this operating manual to denote potential risk situations and important safety instructions:



DANGER

This is a potentially dangerous situation and warns of an impending health risk or risk of fatal injury if this warning is not observed. Observe this warning.

WARNING

The dangerous situation can occur and can result in major or fatal injuries if the warning is not observed. Work with extreme care.

CAUTION

The dangerous situation can occur and can result in minor injuries or damage to property if the warning is not observed.

NOTE

A potentially dangerous situation can occur and results in damage to property if not avoided.

Qualification of personnel

Only skilled electricians are permitted to install the product, to carry out the test run and to work at the electrical unit.

Only instructed and authorized skilled personnel are permitted to transport, unpack, operate and service the product.

Basic safety regulations

Safety risks related to the product must be reassessed after installing in the final device.

The operating manual was developed in accordance with European market requirements and may need adapting to the market requirements of the country in question.

When working at the product, observe the following:

Do not make any changes to the product.



WARNING

Impermissible high load

Stop the product immediately after impermissible loading (e.g. impact, heat, overvoltage).



Electrical voltage and current



DANGER
Electrical voltage

Regularly check the electrical equipment of the product.
Eliminate immediately loose connections and defective cables.

Safety and protective functions



DANGER
Missing safety device and faulty protective equipment.

Without protective equipment severe injuries can occur, e.g. by taking hold of the rotating equipment.
Operate the product with protection guards only.

Electromagnetic radiation

Electromagnetic compatibility (EMC) may affect the system integration of the product due to interaction.

Ensure the electromagnetic compatibility of the entire system.

Moving parts

DANGER
Self-starting product



If voltage is applied, the motor automatically restarts after a mains failure or when blocking has been eliminated.
Do not stand in the danger zone of the product.
Switch off the mains voltage when working on the product and secure against switching on again.

DANGER
Rotating impeller



Contact with the impeller may result in injuries. Long hair, loose-fitting garments and jewellery can be caught and pulled into the product. Risk of injury.



Before starting the product, ensure that it is securely fixed and that the guards are in place.
Do not wear loose-fitting garments or jewellery when working on moving parts.
Protect long hair by wearing a hair net.

WARNING
Parts transported by the airflow



The product can transport small parts in the airflow and catapult them out.
Ensure that there are no loose small-parts in the intake and exhaust area.
Do not stand in the danger zone of the product.



CAUTION
High risk of fire spreading

Can cause fire to spread.
Never direct the airflow (intake/exhaust side) at a potential source of fire.

Hot surface



CAUTION
High temperature at motor housing. Risk of burns

Provide adequate protection against accidental contact.

Transport

Only transport the product in its original packaging. Secure during transport.
The vibration values, temperature and climate ranges should not be exceeded during transport.

Storage

Store the device, partially or fully assembled, in a dry place, protected against the weather and free from vibration, in the original packaging in a clean environment.
Protect the device against environmental effects and dirt until final installation.
To guarantee trouble-free operation and the longest possible service life do not store the device for more than one year.
Even devices explicitly intended for outdoor use are to be stored as described prior to commissioning.
Maintain the storage temperature, see *Chapter 3, Technical Data*

Cleaning



NOTE
Product damaged during cleaning

Clean the product carefully with a moist cloth without applying pressure to the rotor. Do not use cleaning agents that contain acids, caustic solutions or solvents.

Disposal

When disposing of the product, observe all requirements and regulations that are relevant in your country.



2 INTENDED USE

The product is designed exclusively as a built-in device for conveying air according to the technical data. Every use that is not in accordance with the intended purpose, is regarded as misuse of the product. On-site installations must comply with the mechanical, thermal and service life requirements, see *Chapter 3, Technical Data*.

Intended use includes:

- Operating the product with all protective equipment
- Do not put the product into operation before it has been installed in the customer's application
- Observation of the operating manual

Use for other than the intended purpose

Using the product for the purposes mentioned below is prohibited and can be dangerous:

- Conveyance of air that contains abrasive particles.
- Conveyance of air that has a highly corrosive effect.
- Conveyance of air that has a high dust load, e.g. vacuuming sawdust.
- Conveyance of inflammable gases/particles.
- Contact with materials that can damage the product, e.g. acids, caustic solutions, solvents.
- Exposure to radiation that can damage product components, e.g. strong UV rays or thermal radiation.
- Operating during external vibration.
- Operating the product close to inflammable materials or components.
- Operating the product in an explosive atmosphere
- Use of the product as a safety component or for performing safety-relevant functions.
- Operating in medical devices with life-sustaining or life-saving function if not validated together with ebm-papst.
- Operating in non-stationary systems, e.g. railway vehicles, aircraft and spacecraft if not validated together with ebm-papst.
- Operating with fully or partially dismantled or manipulated protective equipment.
- Operating the product under conditions other than those mentioned in the technical data.
- Furthermore, all fields of application not mentioned under intended use.

An in situ assessment must be conducted of the heating behavior (appropriate and inappropriate operation), the protection against contact, electrical shocks, impact of foreign objects or water and the usage at altitudes higher than 2000 meters.

Contact ebm-papst if you have specific queries regarding the product.

3 TECHNICAL DATA

Drawing, see annex

Technical description

Airflow direction	Air outlet over struts
Rotating direction looking at rotor	Counterclockwise
Nominal voltage	48 V
Current consumption	350 mA
Power consumption	17 W
Speed	3.400 1/min
Max. free-air flow	390,0 m3/h
Mass	0,780 kg
Protection class	III
Max. torque when mounted across both mounting flanges	Wire outlet corner: 600 Ncm Remaining corners: 600 Ncm
Screw size	ISO 4762 - M4 degreased, without an additional brace and without washer

The product is intended for use in sheltered rooms with controlled temperature and controlled humidity. Directly exposure to water must be avoided.

Pollution degree 1 (according DIN EN 60664-1)
There is either no pollution or it occurs only dry, non-conductive pollution. The pollution has no negative impact.

Ambient conditions

Permitted ambient temperature	
Transport and storage	Operation
-40 °C ... 80 °C	-20 °C ... 72 °C

Vibration and shock load

The mechanical Vibration and Shock data for the product is available. If the operation of the product should take place in a sinusoidal vibration containing environment or fixing the product on sinusoidal vibrating surface, please contact our technical support.

Do not operate your product in the resonance range.



4 CONNECTION AND COMMISSIONING

Connect mechanical parts



CAUTION
Risk of cutting/squashing when removing the product from the packaging and during mounting.

Grasp the housing and lift the product carefully out of the packaging. Avoid impact.
Wear safety boots and cut-resistant gloves.



NOTE
Risk of damage to electronic components.

Use ESD protective equipment when mounting.

Connect electrical parts

Connect to the mains after installation.



DANGER
Compliance with the electrical installation regulations

Observe the connection regulations that are valid in your country. (e.g. fusing, GFCI)



CAUTION
Electrical voltage
The product is a built-in component and has no switch for disconnecting power.

Only connect the product to current circuits that can be switched off by a switch (all poles disconnected). When working on the product, secure the system/machine in which the product is installed against switching on again.

NOTE

Electromagnetic compatibility (EMC) may affect the system integration of the product due to interaction.

Ensure the electromagnetic compatibility of the entire system.

Voltage control



Speed control via the supply voltage is only permitted within the stipulated supply voltage range. Speed control via PWM of the supply voltage is not permitted.

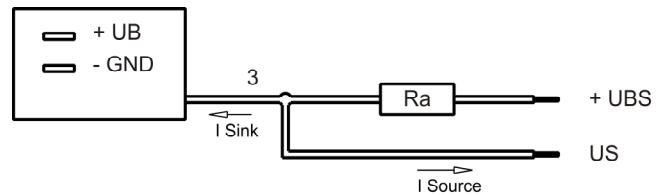
Requirements:

- Before connecting the product, ensure that the supply voltage corresponds with the product voltage.
- Check whether the data on the nameplate corresponds with the interface data.



Only use cables that are designed for the current on the nameplate and the corresponding ambient conditions. Ensure that the electrical interface data is adequately protected (mechanical).

Find additional information in drawing or label.



Wire	Color	Operation
3	yellow	Tacho

The auxiliaries shown on the schematic diagram (which are required for the intended use) are not part of our delivery.

Check connections

NOTE

DC-fans <=60V are products of Protection Class III and must be operated with safety extra-low voltage.

Connect product

Check the product for visible damage and the operability of protective equipment before switching on. If damage is visible, do not start the product.



5 FAULTS, POSSIBLE CAUSES AND REMEDIES

Replace your product by a new one, do not repair it.



DANGER Electrical voltage at motor

Wait five minutes after the voltage (all poles) has been switched off before opening the product.

Fault/Error	Possible cause	Possible remedial action
Motor is not rotating	Mechanical blocking	Switch off, de-energize and eliminate mechanical blocking.
	Mains voltage fault	Check mains voltage, re-connect voltage supply.
	Connection faulty	Rectify connection, see pin connection.
	Motor is too hot	Allow motor to cool / identify cause of fault.
	Motor winding interrupted	Exchange product.
	Ambient temperature too high	Reduce ambient temperature if possible.
Impeller out of true	Unbalance of rotating parts	Clean product if still unbalanced after cleaning, exchange product.

Note

If the device is not operated for a lengthy period in installed condition in a dry environment, it is to be started up and operated at full speed for one hour at least every four months. If the device is not operated for a lengthy period in installed condition in a damp environment (e.g. outdoors), it is to be started up and operated at full speed for at least three hours once a month to move the bearings and allow any condensate that may have ingressed to evaporate.



In case of further faults, contact ebmpapst.

Technical safety inspection

What requires checking?	How to check?	Frequency
Protection against accidental contact/ protective clothing	Visual inspection	min. 1/2 yearly
Check product for damage	Visual inspection	min. 1/2 yearly
Fixation of product	Visual inspection	min. 1/2 yearly
Fixation of wires	Visual inspection	min. 1/2 yearly
Insulation of wires	Visual inspection	min. 1/2 yearly
Check impeller for wear/sediments/ corrosion	Visual inspection	min. 1/2 yearly

6 COMPLIANCE

The product bears the CE mark.

The CE mark is affixed to adequately sized nameplates.

Within the meaning of the EMC Guideline 2014/30/EU this document is intended as:

- Mounting instructions/operating manual as per Art. 18, Paragraph (1)
- Installation instructions as per Art. 4
- Operating manual as per Art. 9, Paragraph (3)
- Instructions for use/operating manual as per Art. 18, Paragraph (3)
- Maintenance instructions as per Art.4; Art. 18, Paragraph (1)
- Usage restrictions for residential areas as per Art. 18, Paragraph (2)
- Accompanying documents as per Art. 17, Paragraph (1)

Within the meaning of Directive 2014/35/EU - electrical equipment designed for use within certain voltage limits – this document is intended as:

- Instructions for use/operating manual as per Art. 6, Paragraph (7); Art. 8 Paragraph (4)

Within the meaning of the Directive 2006/42/EU Machine Guideline, this document is intended as

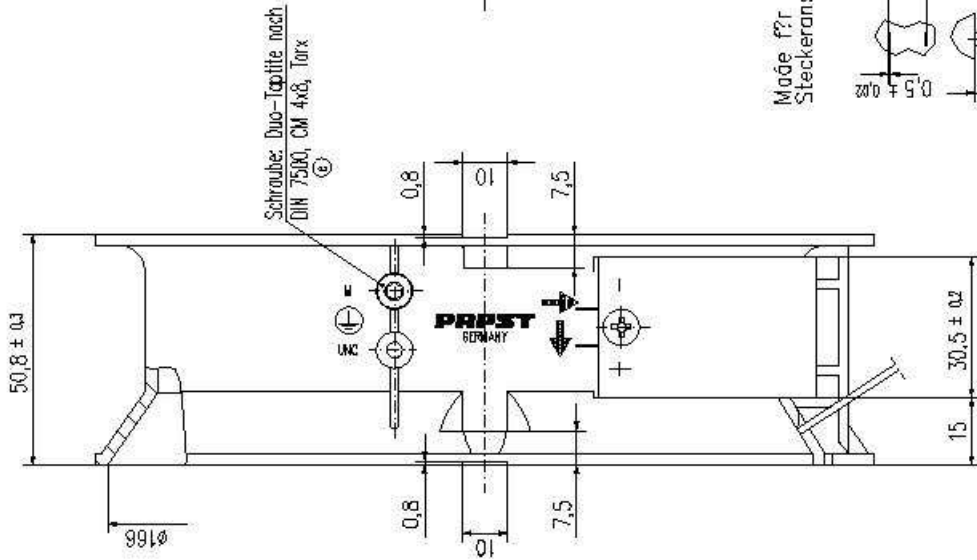
- Mounting instructions as per Art. 13, Paragraph 1b

The product bears the EAC mark.

The information in this document and in the product data sheet applies to mounting, installation, operation, use and maintenance.

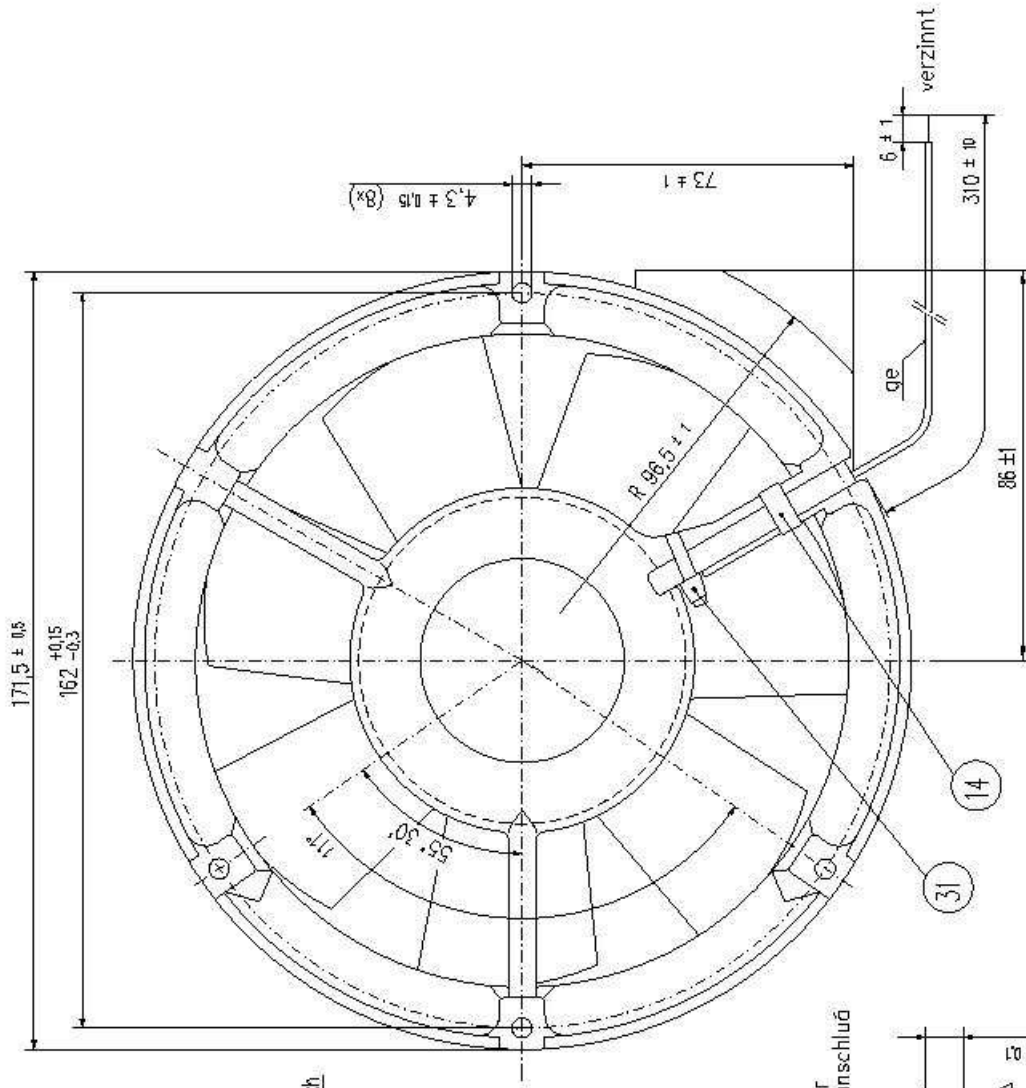
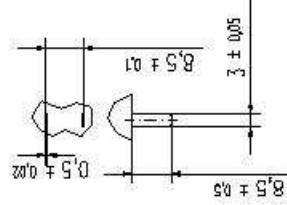
Copying of this document, and giving it to others and the use or communication of the content thereof, are forbidden without express written consent. Changes are liable to the payment of damages. All rights are reserved in the event of the grant of a patent or the registration of a utility model or design.

Schraubensatz nach DIN 9134 bestanden



Schraube: Duo-Tapflite nach
DIN 7500, CM 4x8, Torx

Maße für
Steckeranschluß



- 516
- 3...
- 045
- 243
- 240
- 235
- 232
- 231
- 210

Allgemeindaten		ISO 2768-m		K 173 544 03		0224 1/2	K 122 544 106	0224 1/2
				K 173 544 02		0224 1/2		
				K 173 544 03		0224 1/2		
				K 173 544 04		0224 1/2		
				K 173 544 05		0224 1/2		
				K 173 544 06		0224 1/2		
				K 173 544 07		0224 1/2		
				K 173 544 08		0224 1/2		
				K 173 544 09		0224 1/2		
				K 173 544 10		0224 1/2		
				K 173 544 11		0224 1/2		
				K 173 544 12		0224 1/2		
				K 173 544 13		0224 1/2		
				K 173 544 14		0224 1/2		
				K 173 544 15		0224 1/2		
				K 173 544 16		0224 1/2		
				K 173 544 17		0224 1/2		
				K 173 544 18		0224 1/2		
				K 173 544 19		0224 1/2		
				K 173 544 20		0224 1/2		
				K 173 544 21		0224 1/2		
				K 173 544 22		0224 1/2		
				K 173 544 23		0224 1/2		
				K 173 544 24		0224 1/2		
				K 173 544 25		0224 1/2		
				K 173 544 26		0224 1/2		
				K 173 544 27		0224 1/2		
				K 173 544 28		0224 1/2		
				K 173 544 29		0224 1/2		
				K 173 544 30		0224 1/2		
				K 173 544 31		0224 1/2		
				K 173 544 32		0224 1/2		
				K 173 544 33		0224 1/2		
				K 173 544 34		0224 1/2		
				K 173 544 35		0224 1/2		
				K 173 544 36		0224 1/2		
				K 173 544 37		0224 1/2		
				K 173 544 38		0224 1/2		
				K 173 544 39		0224 1/2		
				K 173 544 40		0224 1/2		
				K 173 544 41		0224 1/2		
				K 173 544 42		0224 1/2		
				K 173 544 43		0224 1/2		
				K 173 544 44		0224 1/2		
				K 173 544 45		0224 1/2		
				K 173 544 46		0224 1/2		
				K 173 544 47		0224 1/2		
				K 173 544 48		0224 1/2		
				K 173 544 49		0224 1/2		
				K 173 544 50		0224 1/2		
				K 173 544 51		0224 1/2		
				K 173 544 52		0224 1/2		
				K 173 544 53		0224 1/2		
				K 173 544 54		0224 1/2		
				K 173 544 55		0224 1/2		
				K 173 544 56		0224 1/2		
				K 173 544 57		0224 1/2		
				K 173 544 58		0224 1/2		
				K 173 544 59		0224 1/2		
				K 173 544 60		0224 1/2		
				K 173 544 61		0224 1/2		
				K 173 544 62		0224 1/2		
				K 173 544 63		0224 1/2		
				K 173 544 64		0224 1/2		
				K 173 544 65		0224 1/2		
				K 173 544 66		0224 1/2		
				K 173 544 67		0224 1/2		
				K 173 544 68		0224 1/2		
				K 173 544 69		0224 1/2		
				K 173 544 70		0224 1/2		
				K 173 544 71		0224 1/2		
				K 173 544 72		0224 1/2		
				K 173 544 73		0224 1/2		
				K 173 544 74		0224 1/2		
				K 173 544 75		0224 1/2		
				K 173 544 76		0224 1/2		
				K 173 544 77		0224 1/2		
				K 173 544 78		0224 1/2		
				K 173 544 79		0224 1/2		
				K 173 544 80		0224 1/2		
				K 173 544 81		0224 1/2		
				K 173 544 82		0224 1/2		
				K 173 544 83		0224 1/2		
				K 173 544 84		0224 1/2		
				K 173 544 85		0224 1/2		
				K 173 544 86		0224 1/2		
				K 173 544 87		0224 1/2		
				K 173 544 88		0224 1/2		
				K 173 544 89		0224 1/2		
				K 173 544 90		0224 1/2		
				K 173 544 91		0224 1/2		
				K 173 544 92		0224 1/2		
				K 173 544 93		0224 1/2		
				K 173 544 94		0224 1/2		
				K 173 544 95		0224 1/2		
				K 173 544 96		0224 1/2		
				K 173 544 97		0224 1/2		
				K 173 544 98		0224 1/2		
				K 173 544 99		0224 1/2		
				K 173 544 100		0224 1/2		
				K 173 544 101		0224 1/2		
				K 173 544 102		0224 1/2		
				K 173 544 103		0224 1/2		
				K 173 544 104		0224 1/2		
				K 173 544 105		0224 1/2		
				K 173 544 106		0224 1/2		
				K 173 544 107		0224 1/2		
				K 173 544 108		0224 1/2		
				K 173 544 109		0224 1/2		
				K 173 544 110		0224 1/2		
				K 173 544 111		0224 1/2		
				K 173 544 112		0224 1/2		
				K 173 544 113		0224 1/2		
				K 173 544 114		0224 1/2		
				K 173 544 115		0224 1/2		
				K 173 544 116		0224 1/2		
				K 173 544 117		0224 1/2		
				K 173 544 118		0224 1/2		
				K 173 544 119		0224 1/2		
				K 173 544 120		0224 1/2		
				K 173 544 121		0224 1/2		
				K 173 544 122		0224 1/2		
				K 173 544 123		0224 1/2		
				K 173 544 124		0224 1/2		
				K 173 544 125		0224 1/2		
				K 173 544 126		0224 1/2		
				K 173 544 127		0224 1/2		
				K 173 544 128		0224 1/2		
				K 173 544 129		0224 1/2		
				K 173 544 130		0224 1/2		
				K 173 544 131		0224 1/2		
				K 173 544 132		0224 1/2		
				K 173 544 133		0224 1/2		
				K 173 544 134		0224 1/2		
				K 173 544 135		0224 1/2		
				K 173 544 136		0224 1/2		
				K 173 544 137		0224 1/2		
				K 173 544 138		0224 1/2		
				K 173 544 139		0224 1/2		
				K 173 544 140		0224 1/2		
				K 173 544 141		0224 1/2		
				K 173 544 142		0224 1/2		
				K 173 544 143		0224 1/2		
				K 173 544 144		0224 1/2		
				K 173 544 145		0224 1/2		
				K 173 544 146		0224 1/2		
				K 173 544 147		0224 1/2		
				K 173 544 148		0224 1/2		
				K 173 544 149		0224 1/2		
				K 173 544 150		0224 1/2		
				K 173 544 151		0224 1/2		
				K 173 544 152		0224 1/2		
				K 173 544 153		0224 1/2		
				K 173 544 154		0224 1/2		
				K 173 544 155		0224 1/2		
				K 173 544 156		0224 1/2		
				K 173 544 157		0224 1/2		
				K 173 544 158		0224 1/2		
				K 173 544 159		0224 1/2		
				K 173 544 160		0224 1/2		
				K 173 544 161		0224 1/2		
				K 173 544 162		0224 1/2		
				K 173 544 163		0224 1/2		
				K 173 544 164		0224 1/2		
				K 173 544 165		0224 1/2		
				K 173 544 166		0224 1/2		
				K 173 544 167		0224 1/2		