

CR2032 MFR

3V Lithium Battery

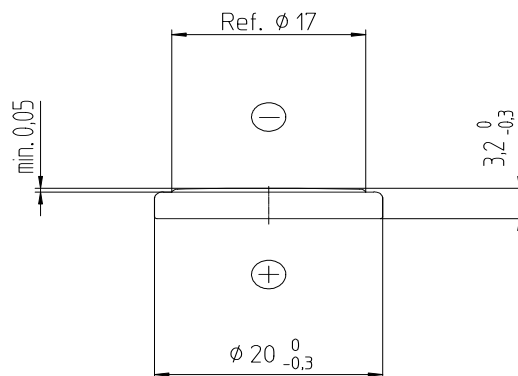
Technical Data Sheet

Specifications

Chemical System	Li / MnO ₂
Nominal Voltage	3 V
Rated Capacity	225 mAh
Standard Discharge Current	0.4 mA
Max. Cont. Discharge Current	3.0 mA
Average Weight	2.8 g
Temperature Range*	-30 - +70 °C *
Self Discharge at 23 °C	< 1% / year

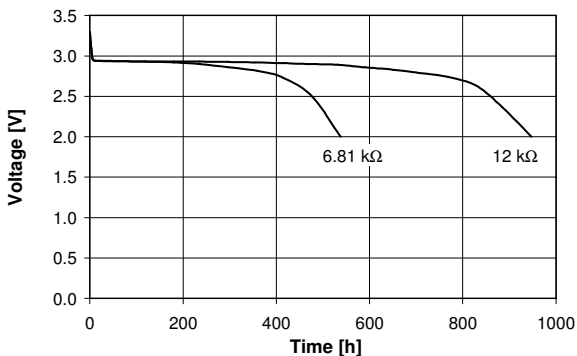
Dimensions

(According to IEC 60086)

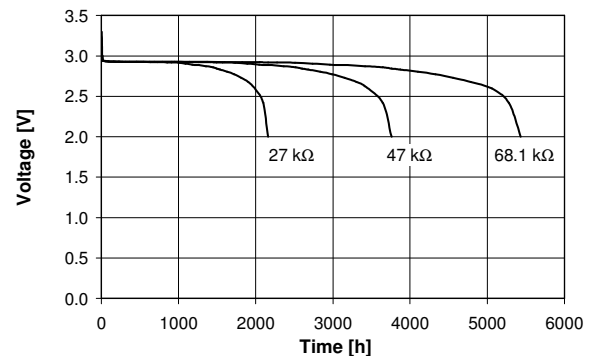


Performance

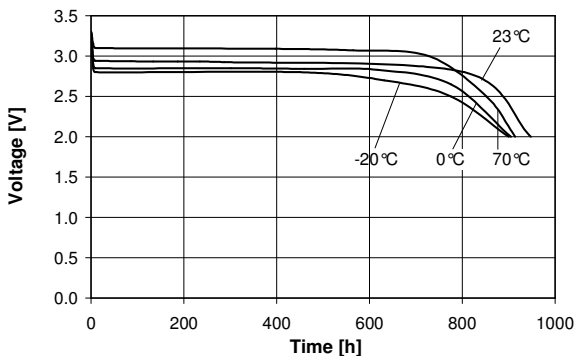
Discharge performance at 23 °C



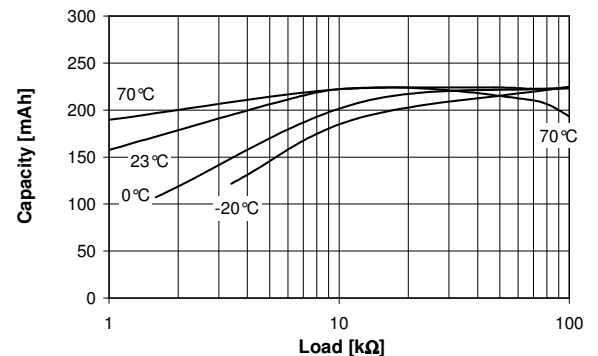
Discharge performance at 23 °C



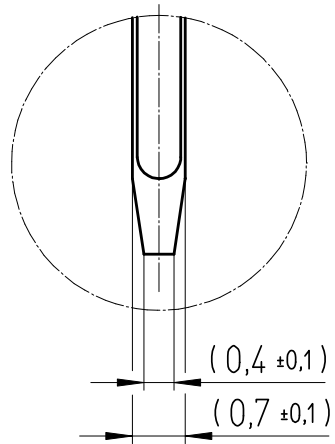
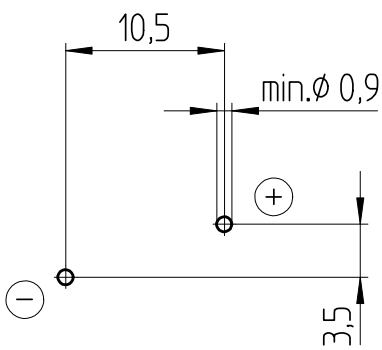
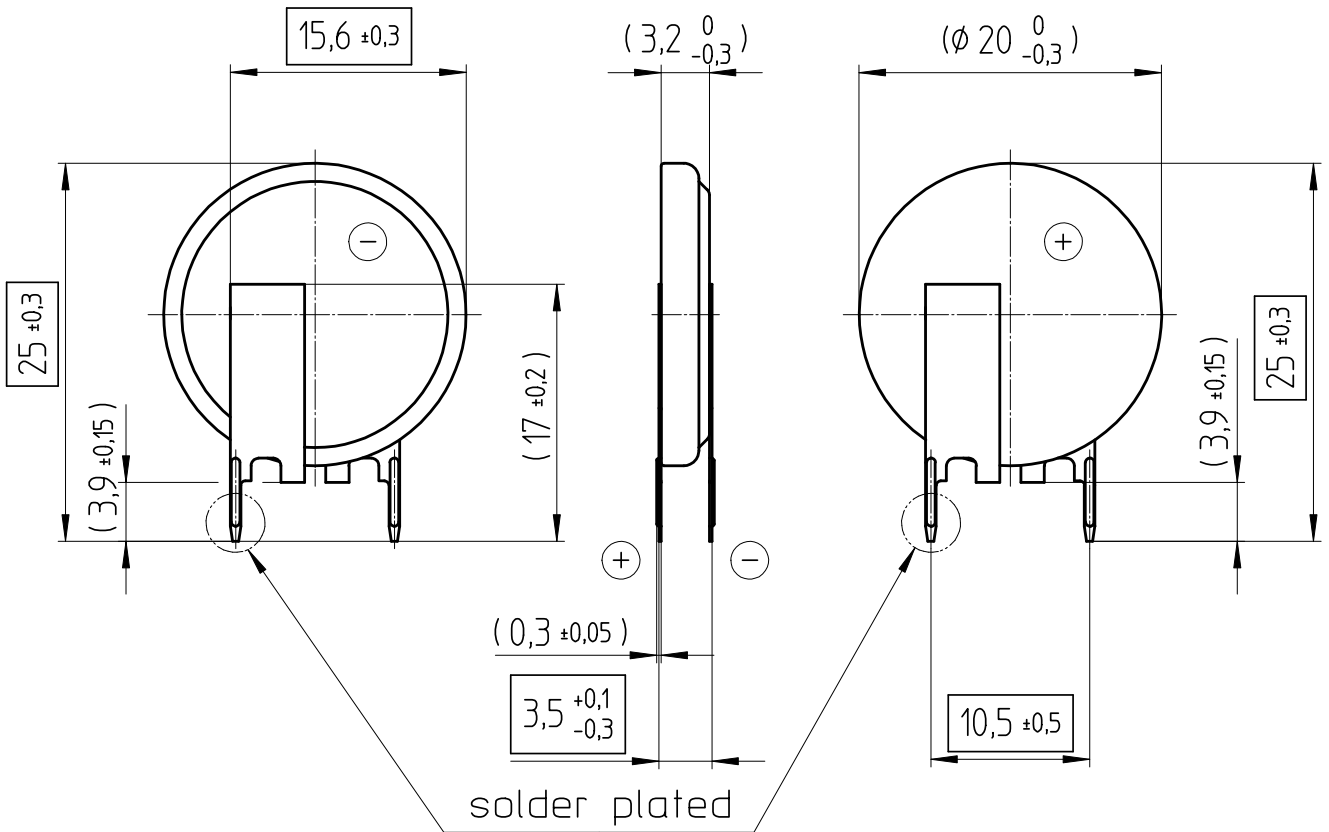
Temperature performance Load 12kΩ



Cell capacity at various loads



*In applications where the battery is exposed to temperatures above 60 °C, please contact Renata for consultancy. Information and contents in this data sheet are for reference purpose only. They do not constitute any warranty or representation and are subject to change without notice. For most current information and further details, please contact your Renata representative.



- Samples can deviate in the execution from the serie.

- Dimensions and tolerances can be specified only after the testing of the devices for the mass production definitely

Tab material: Stainless steel

All framed values will be used for dimension checking !

Rev.	<input type="radio"/>			Rev.	<input type="radio"/>			Customer's Approval			
Rev.	<input type="radio"/>			Rev.	<input type="radio"/>			Date			
Rev.	<input type="radio"/>			Rev.	<input type="radio"/>			Signature			
Titel:								Scale 2:1	Drawn	15.08.06	SRi
CR2032 MFR FV									Checked	15.08.06	FKo
									Approved		
								CH-4452 Itingen Switzerland		3.9099.4-	