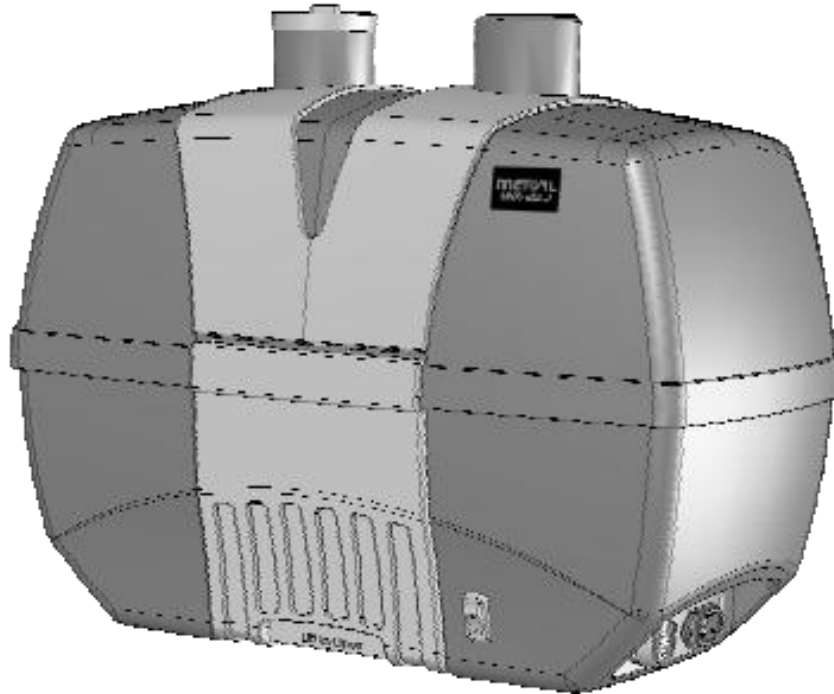


BVX-200



BVX-200 System User Guide	2
Guide de l'utilisateur du système BVX-200	10
BVX-200 Benutzerhandbuch	19
Sistema BVX-200 – Guida per l'utente	28
Guía del Usuario del Sistema BVX-200	34
BVX-200 系统使用说明	46

Operations Manual & User Guide

Congratulations on your purchase of the BVX-200 Fume Extraction System. It is designed to protect your health from hazardous and irritating air pollution you may have at your work area. It has been designed and manufactured to the highest quality standards. We appreciate your confidence and pledge the highest level of support and customer service to you.

This document has been prepared to guide you with the setup, operation, and user maintenance of your system. We recommend that you review it to optimize performance and for your safety.

1. Please Observe The Following	
1.1. Emphasized Section	3
1.2. For Your Safety	3
1.3. Unpacking and Inspection	4
1.4. Items Supplied	4
1.5. Feature	4
1.6. Usage	4
2. Description	5
3. Technical Data	5
4. Installation	5
5. Maintenance and Cleaning	6
6. Troubleshooting	8
7. Part Numbers	9
8. Warranty	9

1. Please Observe The Following

1.1. Emphasized Sections



Warning!

Refers to safety regulations and requires safety measures that protect the operator or other persons from injury.



Caution!

Emphasizes what must be done or avoided so that the unit or other property is not damaged.



Notice:

Gives recommendations for better handling of the unit during operation or adjustment as well as for service activities.

1.2. For Your Safety



WARNING!

For safe and successful operation of the unit, read these instructions completely. If the instructions are not observed, the manufacturer can assume no responsibility. Retain this manual for future reference.

WARNING!

Consult your "safety department" when using the unit on flammable gases. This unit is not explosion safe and can **only** be used for the extraction of vapors, which have concentration levels well below the lower explosive limits.



WARNING!

Do not use the Unit to extract corrosive substances.



WARNING!

Do not expose the connecting cable to heat, oil, or sharp edges.

WARNING!

Make sure the Unit stands stable and secure.

WARNING!

Use only original equipment filters.



WARNING!

Do not operate the Unit without filter inserts. Contaminants in the Extracted air will damage the blower.

WARNING!

Always disconnect the power supply before servicing the unit.



WARNING!

Never cover exhaust openings.

WARNING!

Never cover all air inlet openings simultaneously.

Exception: One opening sealed off for single station operation.



WARNING!

This system is equipped with automatic reset overload protection, which may cause the unit to restart automatically.

WARNING!

Observe general safety regulations for the handling of chemicals such as adhesives and sealants. Observe the manufacturer's instructions as stated in the Material Safety Data Sheet (MSDS).



While under warranty, the unit may be repaired only by an Authorized Metcal Service Representative.

1.3. Unpacking and Inspection

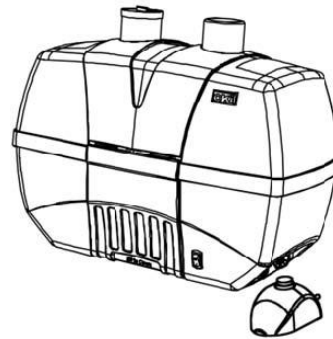
Carefully unpack the Fume Extraction System and examine the items contained in the Carton. Inspect the unit for any damage that might have occurred in transit. If such damage is present, notify the carrier immediately. Claims for damage must be made by the consignee to the carrier and should be reported to the manufacturer.

1.4. Items supplied

- 1 Filter Unit with filters installed
- 1 Remote start/stop switch
- 1 Power Cord
- 1 Operating Manual

1.5. Features

- On/Off switch with “soft-start” feature
- Low noise level
- High suction force and airflow
- Compact and portable
- Audible filter block indicator
- HEPA Efficiency at 99.97% (Model BVX-201)
- Deep-bed gas filter (Model BVX-203)
- Connects to 50mm(2”) or 63mm(2.5”) hoses or exhaust arms
- ESD safe housing
- UL & CSA listed, CE certified



1.6. Usage

The Fume Extraction System is a portable, two-station filtration system for the removal of fumes, light dust or vapors at the work place. The filter set supplied with the filter unit depends on the model ordered.

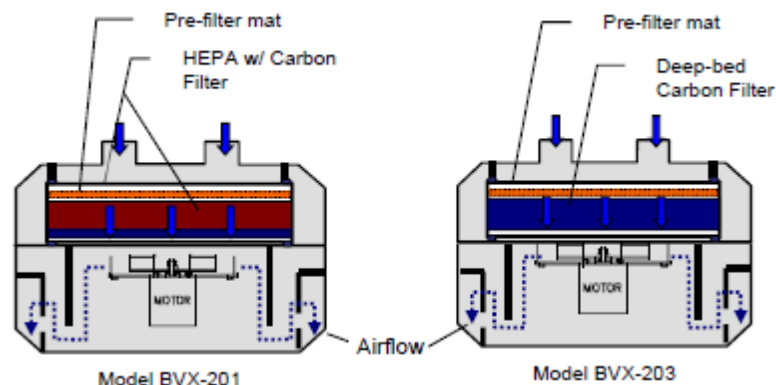
Model BVX-201 supplied with a pre-filter and a main filter. The main-filter is a combo-filter consisting of a HEPA filter with an efficiency of 99.97% at 0.3 micron and an activated carbon filter. This model is designed for applications such as solder fumes from solder irons, solder pots, etc.

Model BVX-203 supplied with a pre-filter and a deep-bed gas filter (activated carbon). This model is designed for applications such as cleaning with solvents, conformal coating, etc.



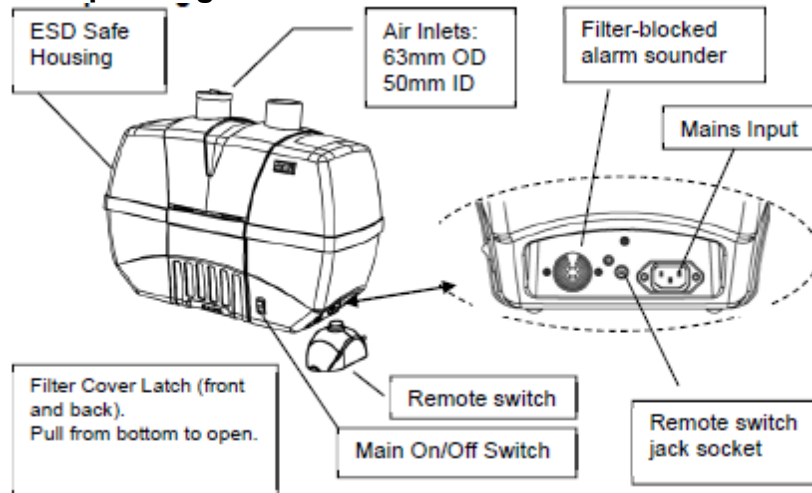
WARNING!

Consult your “safety department” when using the unit on flammable gases. This unit is not explosion safe and only used for the extraction of vapors, which have concentration levels well below the lower explosive limits.



2. Description

2.1. Operating Elements and Construction



2.2. Theory of Operation

The efficient removal of hazardous fumes at your workplace is a two-step process: fume capture and filtration. The filter unit is supplied with a set of filters already installed.

To capture the fumes, Metcal recommends use of optional exhaust arms and accessories (purchased separately). The exhaust arms need to be set up properly (instruction supplied with exhaust arm) and the nozzle positioned in a way to optimize the fume capture.

Air extracted from your work area will be purified when passing through the filters inside the unit and then is returned into your work area.

Contact your local Metcal representative if there are any questions regarding the proper selection of filters for your application.

When the filters are blocked, an alarm will start to sound. See section 5.4 for filter replacement procedures.

3. Technical Data

Max. airflow, free blowing	250m ³ /h (150cfm)
Flow rate	2 x 75 m ³ /h (45cfm)
Static pressure	850 Pa (3.5"WC)
Noise level (approx.)	< 55dBA
Voltage	100 – 240 VAC, 1 phase
Frequency	50-60 Hz
Motor rating	85 Watts
Safety compliance	UL, CSA, CE
Dimensions W/D/Hmm	508 x 254 x 388
Dimensions W/D/H in	20" x 10" x 15.3"
Weight (approx.)	20 lbs. / 9 kg

4. Installation

Remove the Fume Extraction System from packing materials and place on the floor under workbench or near your work area where fume extraction is required. Make sure you have access to the unit for filter maintenance.

Connect the unit power cord into the outlet on the side of the system. Plug the power cord into a grounded wall socket.



Warning!

To provide protection against the risk of electrical shock, connect to properly grounded outlets only.

Connect the unit to exhaust arms (optional) per installation instructions. To power up system, depress the power switch, located on the bottom right of the unit. (Red indicates "Power On" position) Operator can expect a delay of a few seconds before hearing fan running. This is due to a built-in motor "Soft-start feature".

Position the exhaust arms to optimize the fume capture.

Follow maintenance procedures below.

5. Maintenance and Cleaning

5.1. Filter Unit - Maintenance and Safety

The Fume Extraction System is designed with low maintenance in mind. The housing is ESD safe plastic. Here are a few tips to keep your system running in top shape:

To clean, use a light wipe with a gentle cleaner to prevent buildup of particulate and flux residue (be sure unit is turned off while cleaning).



Do not block the exhaust outlets; this will cause the operating temperature of the system to rise, potential damaging the unit, and drop in performance.



Do not defeat the filter interlock switch. Running the system without a filter will allow particulate and flux residue to adhere to the blower and decrease the life of the system and increase noise.

Do not lift system while operating



Be sure to handle filters with care.

5.2. Filter Replacement Timing

Model BVX-201

When fumes are filtered inside the unit, the particulates captured will start clogging the filter over time. The coarse particles are collected in the pre-filter while fine particles will be collected in the HEPA filter. The clogging will result in a reduction of the airflow, which may reduce the amount of fumes extracted from the work area. This condition may not necessarily require filter replacement. One step is to move the optional extraction arms closer to application if possible. If the fumes are not extracted any longer to previous satisfaction level, filter replacement is required. When the filters are blocked, an alarm will start to sound. See section 5.4 for filter replacement procedures.



Warning!

Do not attempt to clean filters. Attempted cleaning can damage filters and cause potential risk to health and equipment.



Notice: Metcal recommends replacement of main filters annually as a minimum. Regular changing of the pre-filter will prolong the life of the main filter (HEPA/Carbon). Use only original replacement filters.

Model BVX-203

This model features a deep-bed gas filter, which generally does not clog and reduce airflow as common with HEPA filters. Replace both filters, pre-filter and carbon filter as soon as odors become noticeable.



Notice: Replace filters at least every 6 months, as most gas-phase filter media achieve saturation by adsorbing moisture from ambient air. **Use only original replacement filters.**

5.3. Safety Interlock

The safety switch is an interlock which turns off the fan when the main filter is removed and when the fan inlet opening is exposed. The safety switch also prevents the system from operating without filters in which case the impurities would contaminate the internal unit.



WARNING!

Do not bypass safety interlock. Bypassing safety interlock could result in injury to persons.

5.4. Filter Replacement Procedure:

1. Turn unit off.
2. Disconnect the power cord.
3. Unlatch the filter cover (see illustration on right).
4. Remove filter cover.
5. Replace the filters. (Pre-filter/main filter). Ensure to place main filter inside the alignment pins so that interlock switch is depressed.
6. Replace filter cover and ensure proper fit on bottom housing. Hook both latches into filter cover and press down carefully.



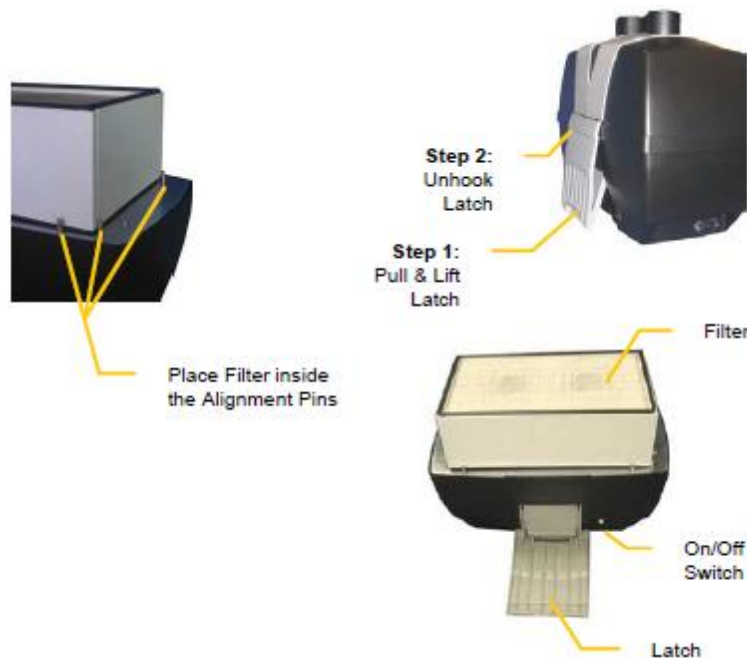
Caution!

Do not use force. If latches do not close, check proper seating of filter cover on bottom housing.

7. Reconnect power cord and turn system on.
8. If unit does not operate, refer to troubleshooting section.



Notice: Always use new replacement filters!



5.5. Filter Disposal

The gas filter collects some organic materials and care in disposal may be required. The filter may contain toxic materials and inhalation of dust particles or exposure to skin must be avoided. Please consult the MSDS Sheets for the material used at your facility and follow the prescribed handling instructions

6. Troubleshooting

Problem	Possibly Cause	Check and Correction
No air flow	No Power	Check On/Off Switch Check power outlet Check power cord Check for filter Check safety interlock switch
Little air flow	Air leak	Check hose/arm for leaks Check hose/arm for proper installation Check hose/arm for partial clogging
Audible alarm activating	High ambient Temperature	Please refer to calibration procedure 6.1

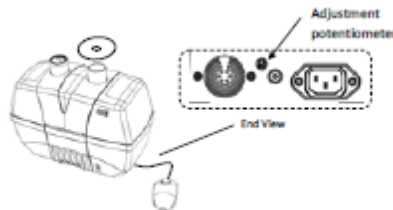
The BVX-200 filter-block alarm is factory calibrated to a specific temperature setting and will, for most users, require no adjustment. However, users in warmer climates may need to adjust the BVX-200 temperature setting to prevent false alarms.

1. Assemble the BVX-200 as per the User Guide. Both the remote switch the main power switch should be in the 'Off' position.
2. Switch On the main unit and press the remote switch. The remote switch LED will light when powered. The unit will run and you will hear the alarm sound momentarily but then stop while the motor continues to run. Allow the motor to run for at least 10 minutes to attain normal operating temperature.
3. With one inlet port already blocked, place a block plate with a 6mm Ø hole over the other air inlet and listen for the alarm tone. If heard, go to next step; if not, remove the plastic blanking-plug and turn the potentiometer counterclockwise until the alarm tone is heard.
4. Replace the 6mm Ø hole blank with a 15mm Ø one. If the alarm still sounds, gently adjust the potentiometer by turning screwdriver clockwise until the alarm can no longer be heard. Refit the blanking plug once the correct setting is obtained.



To make your own block-plates:

- A standard CD has a 15mm Ø hole at its center.
- A paper hole-punch may be used on stiff card to make a hole that is approximately 6mm.



7. Part Numbers

7.1. Filter Units

BVX-201	Filter Unit for 2 Station, Pre / HEPA / Gas
BVX-201-KIT	Filter Unit with 2 x 1.5m arms, Pre / HEPA/ Gas
BVX-201-KIT1	Filter Unit with 2 x .75m arms, Bench bracket and 1.8m connecting hose, Pre / HEPA/ Gas
BVX-203	Filter Unit for 2 Station, Pre / Deep Bed Gas

7.2. Replacement Filters

	Model BVX-201	Model BVX-203
FP-BVX200 , Pre-Filter (Pack of 5)	yes	yes
FG-BVX200 , Deep-Bed Gas Filter	no	yes
FM-BVX200 Main Filter, HEPA 99.97% / Carbon	yes	no

7.3. Optional Kits and Accessories

BVX-ARM-K1	Kit consisting of BVX-ARM, BVX-CH01, BVX-TB01
BVX-ARML	Exhaust Arm, flexible, 1500mm (59") x 50mm (2"), ESD Safe
BVX-ARM	Exhaust Arm, flexible, 750mm (29.5") x 50mm (2"), ESD Safe.
BVX-TB01	Table Bracket with 2 each C-Clamps
BVX-CH01	Connection Hose, 1.8m (6') x 50mm (2")
BVX-CH02	Connection Hose, 3.6m (12') x 50mm (2")

8. WARRANTY

Please visit Metcal's products web page (www.metcal.com) where you will find available information on systems, accessories, technical notes, and more. You may also contact your local representative for pricing and availability.

Metcal warrants the BVX-200 Series against any defects in materials or workmanship for one (1) year from the date of purchase by the original owner. This Warranty excludes normal maintenance and shall not apply to any opened, misused, abused, altered or damaged items. If the product should become defective within the warranty period, Metcal will repair or replace it free of charge at its sole option. The repaired or replacement item(s) will be shipped, freight prepaid, to the original purchaser. The warranty period will start from the date of purchase. If the date of purchase cannot be substantiated the date of manufacture will be used as the start of the warranty period.

For the repair or return of a unit a Return Material Authorization Number (RMA #) needs to be obtained.

Mode d'emploi & Guide de l'utilisateur

Nous vous félicitons pour votre achat du système d'extraction de fumées BVX-200. Il est conçu pour protéger votre santé contre les dangers et les irritations causés par l'air pollué, pouvant affecter votre poste de travail. Il a été fabriqué selon les normes de qualité les plus sévères. Nous vous remercions de votre confiance et vous réservons le niveau le plus élevé de support technique et de service après-vente.

Ce document a été préparé pour vous guider lors de la mise en place, de l'utilisation et de la maintenance au niveau utilisateur de votre système. Nous vous recommandons de le relire pour optimiser les performances et votre sécurité.

1. Veuillez suivre les indications ci-après	
1.1. Remarques importantes	11
1.2. Pour votre sécurité	11
1.3. Déballage et inspection	11
1.4. Éléments fournis	12
1.5. Caractéristiques	12
1.6. Utilisation	12
2. Description	13
3. Caractéristiques techniques	14
4. Installation	14
5. Maintenance et nettoyage	14
6. Dépannage	16
7. Références des pièces	17
8. Garantie	17

1. Veuillez suivre les indications ci-après

1.1. Remarques importantes



Avertissement !

Fait référence à des règles de sécurité et implique la mise en oeuvre de mesures de protection de l'opérateur contre les risques de blessures.



Attention !

Met en évidence les opérations à réaliser ou à éviter pour que l'appareil et d'autres biens ne soient endommagés.



Remarque :

Fournit des recommandations pour une meilleure manipulation de l'équipement en cours d'utilisation ou pour son entretien.

1.2. Pour votre sécurité



AVERTISSEMENT!

Veillez lire complètement ces instructions pour une utilisation sûre et efficace de cet appareil. Le fabricant n'assume aucune responsabilité si ces instructions ne sont pas respectées. Veillez conserver ce manuel pour pouvoir vous y référer ultérieurement..

AVERTISSEMENT!



Veillez consulter votre service hygiène et sécurité lorsque vous utilisez l'appareil sur des gaz inflammables. Cet appareil n'est pas anti-explosion et peut uniquement être utilisé pour extraire des vapeurs dont la concentration se situe au-dessous des limites d'explosibilité.

AVERTISSEMENT!



N'utilisez pas l'appareil pour aspirer des substances corrosives.

AVERTISSEMENT!

Ne soumettez pas le câble de raccordement à la chaleur, l'huile ou à des arêtes vives.

AVERTISSEMENT!

Assurez-vous que l'appareil est posé de manière stable et sûre.



AVERTISSEMENT!

N'utilisez que des filtres d'origine.

AVERTISSEMENT!

N'utilisez pas l'appareil sans filtre. Les contaminants contenus dans l'air extrait peuvent endommager le ventilateur.



AVERTISSEMENT!

Débranchez toujours l'alimentation avant d'entretenir l'appareil.

AVERTISSEMENT!

Ne recouvrez jamais les orifices d'évacuation.

AVERTISSEMENT!



Ne recouvrez jamais simultanément toutes les entrées d'air.

Exception : ouverture condamnée pour utilisation sur poste unique.

AVERTISSEMENT!

Le système est équipé d'une protection de surcharge à réinitialisation automatique, qui peut provoquer le redémarrage automatique de l'appareil.



AVERTISSEMENT!

Veillez respecter les règles de sécurité générale lors de la manipulation de produits chimiques comme des adhésifs et des produits d'étanchéité. Veillez observer les instructions du fabricant portées sur les fiches techniques d'Hygiène et Sécurité.



Pendant sa période de garantie, l'appareil ne doit être réparé que par un représentant autorisé du service après-vente Metcal.

1.3. Déballage et inspection

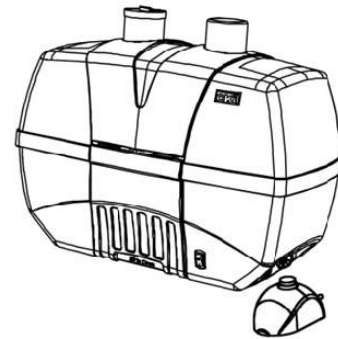
Déballer soigneusement le système d'extraction BVX-200 et examiner les éléments contenus dans le carton. Inspectez l'unité pour identifier tout dommage qui aurait pu se produire pendant le transport. Signalez immédiatement toute détérioration au transporteur. La réclamation pour le dommage doit être transmise par le destinataire au transporteur, et signalée au fabricant..

1.4. Éléments fournis

- 1 Unité avec filtres installés
- 1 Interrupteur déporté
- 1 Câble d'alimentation
- 1 Manuel d'utilisation

1.5. Caractéristiques

- Interrupteur marche/arrêt avec dispositif de démarrage progressif
- Faible niveau de bruit
- Grande capacité d'aspiration, débit élevé
- Compact et portable
- Indicateur sonore de blocage du filtre
- Efficacité HEPA de 99,97% (Modèle BVX-201)
- Filtre à gaz charbon (Modèle BVX-203)
- Raccordement à des tubes de 50mm (2") ou de 63mm (2.5") ou à des bras d'aspiration
- Boîtier anti-statique
- Enregistré UL & CSA, certifié CEed



1.6. Utilisation

Le système d'extraction de fumées est un système portable deux opérateurs pour l'aspiration de fumées, de poussières fines ou de vapeurs sur un poste de travail. Le filtre fourni avec l'unité dépend du modèle commandé..

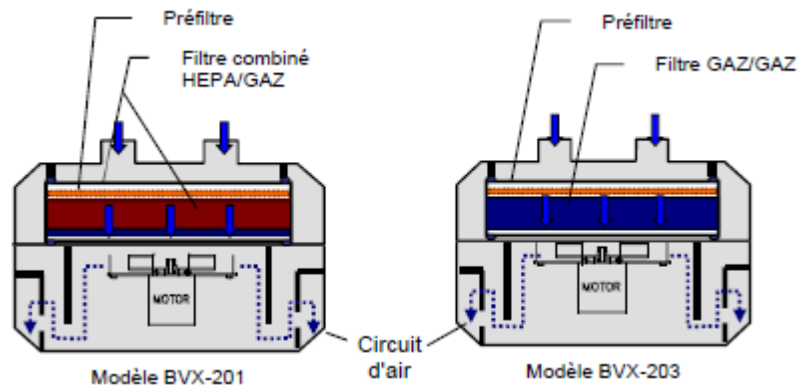
Le modèle BVX-201 est fourni avec un préfiltre et un filtre principal. Le filtre principal est une combinaison entre un filtre HEPA d'une efficacité de 99,97% à 0,3 micron et d'un filtre à charbon actif. Ce modèle est conçu pour des applications comme l'aspiration de fumées de soudure émises par des fers à souder, des pots de soudure, etc.

Le modèle BVX-203 est fourni avec un préfiltre et un filtre à gaz charbon (charbon actif). Ce modèle est conçu pour des applications de nettoyage avec solvants, etc...



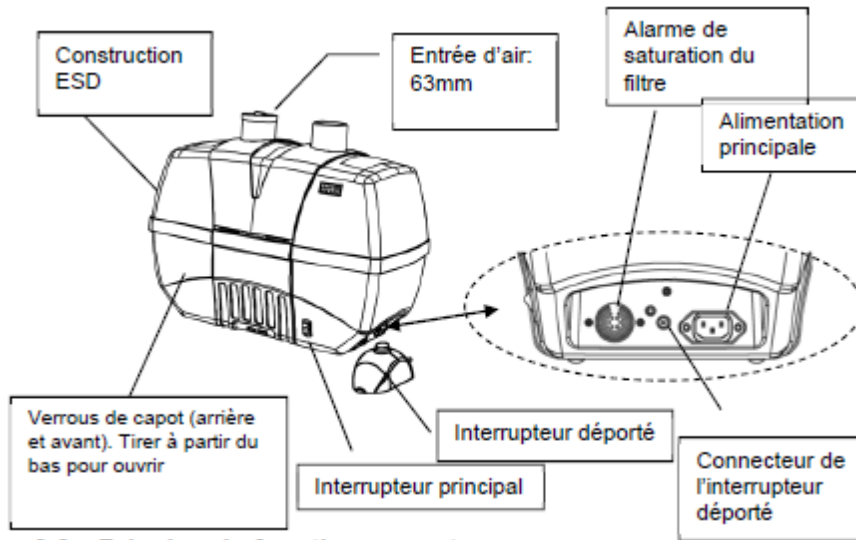
AVERTISSEMENT!

Veillez consulter votre service hygiène et sécurité lorsque vous utilisez l'appareil sur des gaz inflammables. Cet appareil n'est pas anti-explosion et peut uniquement être utilisé pour extraire des vapeurs dont la concentration se situe au-dessous des limites d'explosibilité.



2. Description

2.1. Éléments fonctionnels et construction



2.2. Principe de fonctionnement

La suppression efficace des fumées dangereuses sur votre poste de travail est un processus en deux étapes : l'extraction des fumées et leur filtration. L'unité de filtration est fournie avec un ensemble de filtres déjà installés.

Pour assurer l'extraction des fumées, Metcal recommande l'utilisation de bras optionnels d'aspiration et d'accessoires (achetés séparément). Le bras d'aspiration doit être monté correctement (voir les instructions fournies avec le bras) et sa buse d'aspiration positionnée de manière à optimiser l'extraction des fumées.

L'air aspiré sur votre poste de travail est purifié lors de son passage à travers les filtres contenus dans l'appareil, puis renvoyé vers votre poste de travail.

Veillez prendre contact avec votre représentant Metcal local pour toutes questions concernant la sélection des filtres appropriés pour votre application.

Une alarme sera déclenchée en cas d'obstruction des filtres. Veuillez vous reporter à la section 5.4 pour la procédure de remplacement du filtre.

3. Caractéristiques techniques

Débit d'air maxi, sans filtre	250m ³ /h (150cfm)
Débit d'air avec filtre HEPA	2 x 75 m ³ /h (45cfm)
Pression statique (force d'aspiration)	850 Pa (3.5"WC)
Niveau de bruit (approx.)	< 55dBA
Tension	100 – 240 VAC, 1 phase
Fréquence	50-60 Hz
Puissance moteur	85 Watts
Conformité de sécurité	UL, CSA, CE
Dimensions W/D/Hmm	508 x 254 x 388
Dimensions W/D/H in	20" x 10" x 15.3"
Poids (approx.)	20 lbs. / 9 kg

4. Installation

Déballez le système d'extraction de fumées BVX-200 et placez le au sol, sous votre table de travail ou à proximité de la zone de travail où les fumées doivent être extraites. Assurez-vous d'avoir accès à l'appareil pour la maintenance des filtres..

Branchez le câble d'alimentation sur la prise située sur le côté de l'appareil. Branchez l'autre extrémité du câble d'alimentation sur une prise de courant.



Avertissement!

Pour assurer une protection contre l'électrocution, utilisez exclusivement une prise de courant mise correctement à la terre.

Raccordez l'appareil au bras d'aspiration (optionnel) en suivant les instructions d'installation. Pour allumer l'appareil, appuyez sur l'interrupteur d'alimentation, situé à la partie inférieure droite de l'appareil. (La marque rouge indique la position "Marche"). Il peut s'écouler quelques secondes avant que l'opérateur puisse entendre le bruit du ventilateur. Ce délai résulte du dispositif de démarrage progressif du moteur.

Positionnez le bras d'aspiration pour optimiser l'extraction des fumées.

Suivez les procédures de maintenance décrites ci-après.

5. Maintenance et nettoyage

5.1. Unité de filtration - Maintenance et Sécurité

Le système d'extraction de fumées est conçu pour limiter la maintenance. Le boîtier est construit en plastique anti-statique. Vous trouverez ci-après quelques conseils grâce auxquels vous pourrez maintenir votre appareil en parfait état :

Pour nettoyer l'appareil, utilisez un chiffon légèrement imbibé d'un produit nettoyant doux, pour éviter l'accumulation de particules et de flux (arrêtez l'appareil pendant le nettoyage).



Ne bloquez pas les sorties d'air. Cela peut augmenter la température de fonctionnement de l'appareil avec risque de détérioration de l'unité et baisse de ses performances.



Ne désactivez pas l'interrupteur de contrôle de présence du filtre (interrupteur de sécurité). L'utilisation de l'appareil sans filtre cause l'adhérence de résidus de particules sur le ventilateur, réduit la durée de vie du système et augmente son niveau de bruit.

Ne soulevez pas l'appareil lorsqu'il est en fonctionnement



Manipulez les filtres avec soin.

5.2. Rythme de remplacement du filtre

Modèle BVX-201

Lors de l'aspiration des fumées à travers l'appareil, les particules aspirées colmatent progressivement le filtre. Les particules les plus grosses sont arrêtées par le préfiltre, alors que les particules les plus fines sont arrêtées par le filtre HEPA. La saturation du filtre engendre une réduction du débit, qui peut réduire à son tour le débit des fumées aspirées sur le poste de travail. Cette saturation peut rendre nécessaire le remplacement du filtre. Dans un premier temps, vous pouvez rapprocher l'orifice du bras d'extraction optionnel de l'application, dans la mesure du possible. Si les fumées ne sont plus aspirées à un niveau satisfaisant, vous devez remplacer le filtre. Une alarme sera déclenchée en cas d'obstruction des filtres. Veuillez vous reporter à la section 5.4 pour la procédure de remplacement du filtre.

Dans un premier temps, ne remplacez que le préfiltre. Si cette opération ne suffit pas à rétablir le débit, remplacez également le filtre principal (HEPA/charbon actif).



Avertissement!

N'essayez pas de nettoyer les filtres. Les tentatives de nettoyage peuvent endommager les filtres et provoquer des risques potentiels pour votre santé et pour le fonctionnement de l'équipement.



Remarque: Metcal recommande au moins un remplacement annuel des filtres. Le changement régulier du préfiltre prolongera la durée de vie du filtre principal (HEPA/Charbon). **N'utilisez que des filtres d'origine.**

Modèle BVX-203

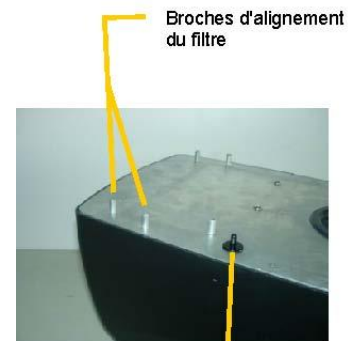
Ce modèle est équipé d'un filtre à gaz charbon, qui ne se colmate pas de manière générale et qui ne réduit pas le débit comme les filtres HEPA. Remplacez les deux filtres, c'est-à-dire le préfiltre et le filtre à charbon actif, dès que des odeurs sont perceptibles en sortie de l'appareil.



Remarque : Remplacez les filtres au moins tous les six mois, sachant que la plupart des médias filtrants à gaz se saturent en absorbant l'humidité de l'air ambiant. **N'utilisez que des filtres d'origine.**

5.3. Interrupteur de sécurité

Cet interrupteur de sécurité est un dispositif qui arrête le ventilateur lorsque le filtre principal est retiré et lorsque l'orifice d'entrée d'air sur le ventilateur est accessible. Cet interrupteur de sécurité empêche également le système de fonctionner sans filtre, évitant ainsi la contamination de l'intérieur de l'appareil par des impuretés.



Broches d'alignement du filtre

Interrupteur de sécurité



VERTISSEMENT!

Ne bloquez pas l'interrupteur de sécurité. Le blocage de l'interrupteur de sécurité peut entraîner des blessures.

5.4. Procédure de remplacement du filtre :

1. Arrêtez l'appareil.
2. Débranchez le câble d'alimentation..
3. Déverrouillez le capot du filtre (voir l'illustration de droite).
4. Retirez le capot du filtre.
5. Remplacez les filtres (préfiltre/filtre principal). Veillez à placer le filter principal dans les broches d'alignement pour que l'interrupteur de sécurité soit enfoncé.
6. Replacez le capot du filtre et assurez-vous de sa bonne mise en place sur le bas du boîtier. Accrochez les deux verrous sur le capot du filtre et appuyez avec.

Attention!

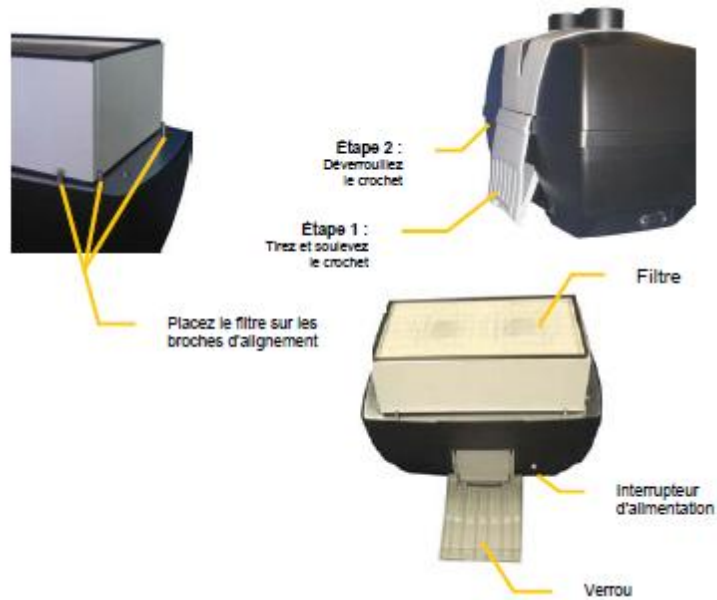
Ne forcez pas. Si les verrous ne se ferment pas, assurez-vous que le capot du filtre est bien positionné sur la partie basse du boîtier.



7. Rebranchez le câble d'alimentation et remettez le système en marche.
8. Si l'appareil ne fonctionne pas, reportez-vous à la section Dépannage.



Remarque: Utilisez toujours des filtres neufs!



5.5. Élimination des filtres

Le filtre à gaz absorbe des matières organiques, il est donc nécessaire de prendre les précautions pour l'éliminer. Le filtre peut contenir des produits toxiques. Évitez l'inhalation de particules de poussière ou l'exposition de la peau à ces produits. Veuillez consulter les fiches d'hygiène et sécurité pour les produits utilisés et suivez les instructions de manipulation prescrites.

6. Dépannage

Problème	Cause possible	Contrôles et correction
Aucun débit d'air	Pas d'alimentation	Vérifiez l'interrupteur d'alimentation Vérifiez la prise de courant Vérifiez le câble d'alimentation Vérifiez le filtre Vérifiez l'interrupteur de sécurité
Débit d'air faible	Fuite d'air	Vérifiez tuyaux/bras pour détecter fuite Vérifiez tuyaux/bras pour détecter fuite Vérifiez le colmatage partiel tuyaux/bras
Activation d'une alarme sonore	Température ambiante élevée	Veuillez vous reporter à la procédure de calibration 6.1

L'alarme de blocage du filtre BVX-200 a été calibrée en usine pour une température spécifique et ne nécessitera, pour la plupart des utilisateurs, aucun ajustement. Cependant, les utilisateurs dans des climats plus chauds devront revoir la configuration du BVX-200 pour éviter de fausses alarmes.

1. Assemblez le BVX-200 en suivant les instructions du Guide de l'utilisateur. L'interrupteur de démarrage à distance ainsi que l'interrupteur principal devront être en position « Arrêt ».
2. Allumez l'unité principale et appuyez sur l'interrupteur de démarrage à distance. L'indicateur lumineux sur l'interrupteur à distance s'allume. L'unité se mettra en marche et vous entendrez une alarme temporaire qui s'arrêtera, alors que le moteur continuera de tourner. Laissez le moteur tourner pendant au moins 10 minutes pour atteindre une température de fonctionnement normale.
3. Avec l'une des entrées d'air déjà bloquée, placez une plaque d'obturation avec un trou de 6 mm Ø sur l'autre entrée d'air et attendez d'entendre le signal d'alarme. Si vous l'entendez, passez à

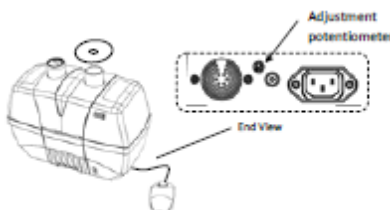
l'étape suivante, sinon enlevez le bouchon d'obturation en plastique et tournez le potentiomètre dans le sens inverse des aiguilles d'une montre jusqu'à ce que vous entendiez le signal.

4. Remplacez la plaque à trou de 6 mm Ø par une plaque à trou de 15 mm Ø. Si vous entendez encore l'alarme, ajustez légèrement le potentiomètre en vissant dans le sens des aiguilles d'une montre jusqu'à ce que vous n'entendiez plus l'alarme. Remplacez le bouchon d'obturation une fois que vous avez obtenu la bonne configuration.



Pour fabriquer votre propre plaque d'obturation:

- Un CD standard a un trou de 15 mm Ø en son centre.
- Vous pouvez utiliser une perforatrice pour faire un trou d'environ 6 mm dans du papier cartonné.



7. Références des pièces

7.1. Unités de filtration

BVX-201	Unité de filtration pour deux postes, Pré / HEPA / Gaz
BVX-201-KIT	Unité de filtration avec 2 bras de 1,5 m, Pré / HEPA/ Gaz
BVX-201-KIT1	Unité de filtration avec 2 bras de 0,75 m, support et tuyau de branchement de 1,8 m, Pré / HEPA/ Gaz
BVX-203	Unité de filtration pour deux postes, Pré / Gaz /Gaz profond

7.2. Filtres de remplacement

	Modèle BVX-201	Modèle BVX-203
FP-BVX200 , Préfiltre (emballage de 5)	oui	oui
FG-BVX200 , Filtre à gaz charbon	non	oui
FM-BVX200 Filtre principal, HEPA 99,97% / charbon actif	oui	non

7.3. Kits optionnels et accessoires

BVX-ARM-K1	Kit composé de BVX-ARM, BVX-CH01, BVX-TB01
BVX-ARML	Bras flexible, 1500mm (59") x 50mm (2"), anti-statique
BVX-ARM	Bras flexible, 750mm (29,5") x 50mm (2"), anti-statique
BVX-TB01	Support de table avec 2 pinces
BVX-CH01	Manche de raccordement, 1800 mm (6') x 50 mm (2")
BVX-CH02	Manche de raccordement, 3600 mm (12') x 50 mm (2")

8. Garantie

Nous vous invitons à consulter la page Web de Metcal (www.metcal.com), où vous trouverez des informations sur les équipements et les accessoires, ainsi que des notes techniques et d'autres renseignements. Vous pouvez également prendre contact avec votre représentant Metcal local pour obtenir des informations sur les tarifs et les disponibilités..

Metcal garantit les produits de la série BVX-200 contre tous les défauts de matériau et de fabrication pour une durée d'un an (1 an) à partir de la date d'acquisition par son propriétaire initial. Cette garantie exclut la maintenance normale et ne s'applique pas aux appareils ouverts, mal utilisés, utilisés de manière abusive, modifiés ou endommagés. Si le produit devait être défectueux pendant la période de garantie, Metcal le réparerait ou le remplacerait gratuitement. L'appareil réparé ou de remplacement sera renvoyé en port payé à son acquéreur initial. La période de garantie commence à la date d'achat. Si la date d'achat ne peut pas être déterminée, la période de garantie commence à la date de fabrication.

Avant la réparation ou le renvoi d'un appareil, vous devez vous procurer un numéro d'autorisation de retour de matériel (RGA).

Bedienungsanleitung

Herzlichen Glückwunsch zu Ihrem neuen Schadstoffabsaugsystem BVX-200 von Metcal. Diese ist so ausgelegt, dass Sie und Ihre Gesundheit vor gefährlichen und reizenden Dämpfen, die am Arbeitsplatz entstehen, geschützt sind und entspricht den höchsten Qualitätsrichtlinien. Wir danken für Ihr Vertrauen und bieten Ihnen größtmögliche Unterstützung und Kundendienst.

Das vorliegende Dokument macht Sie mit dem Setup, Betrieb sowie der Wartung Ihres Systems vertraut. Wir empfehlen, diese Unterlagen zu Ihrer Sicherheit und Optimierung der Systemleistung eingehend zu lesen.

1. Bitte beachten	
1.1. Wichtige Hinweise	20
1.2. Zu Ihrer Sicherheit	20
1.3. Auspacken und Überprüfung	21
1.4. Lieferumfang	21
1.5. Leistungsmerkmale	21
1.6. Einsatzbereich	21
2. Beschreibung/Funktionsweise	22
3. Technische Daten	22
4. Installation	22
5. Wartung und Reinigung	23/24
6. Fehlerbehebung	25
7. Artikelnummern	26
8. Gewährleistung	26

1. Bitte beachten

1.1. Wichtige Hinweise



Warnung!

Dieses Zeichen weist auf Sicherheitsvorschriften und erforderliche Sicherheitsmaßnahmen hin, die den Betreiber oder Dritte vor Verletzungen schützen.



Caution!

Hinweis auf Tätigkeiten, die durchzuführen oder zu unterlassen sind, um eine Beschädigung des Gerätes oder anderer Gegenstände zu vermeiden.



Info:

Gibt Empfehlungen zur besseren Handhabung oder Einstellung des Gerätes während des Betriebs oder während der Servicetätigkeiten.

1.2. Für Ihre Sicherheit



WARNUNG!

Lesen Sie diese Anleitung sorgfältig durch, um einen sicheren und erfolgreichen Betrieb des Gerätes sicherzustellen. Werden die Anweisungen nicht beachtet, erlischt die Haftung des Herstellers. Bewahren Sie dieses Handbuch zu Nachschlagezwecken auf.



WARNUNG!

Setzen Sie sich mit der "Sicherheitsabteilung" in Verbindung, wenn das System in der Nähe leicht entzündlicher Gase eingesetzt wird. Dieses Gerät ist nicht explosionsgeschützt und darf nur zum Absaugen von Dämpfen mit einer Konzentration weit unter der unteren Explosionsgrenze verwendet werden.



WARNUNG!

Das System ist nicht zum Absaugen ätzender Substanzen geeignet.



WARNUNG!

Setzen Sie das Anschlusskabel nicht übermäßiger Wärme, Öl oder scharfen Gegenständen aus.



WARNUNG!

Vergewissern Sie sich, dass das Gerät stabil und sicher aufgestellt wird.



WARNUNG!

Verwenden Sie nur Originalfilter.



WARNUNG!

Betreiben Sie das System nur mit Filtereinsätzen, da Schmutzstoffe in der abgesaugten Luft das Gebläse beschädigen können.



WARNUNG!

Trennen Sie das Gerät vor Servicearbeiten von der Stromversorgung.

WARNUNG!

Die Abluftöffnungen dürfen nicht abgedeckt werden.

WARNUNG!

Niemals alle Lufteintrittsöffnungen gleichzeitig abdecken.

Ausnahme: Abdecken einer Öffnung bei Betrieb einer Einzelstation.

WARNUNG!

Das System ist mit einem automatischen Reset-Überlastschutz ausgerüstet, der einen automatischen Neustart des Gerätes auslösen kann..

WARNUNG!

Beachten Sie die allgemeinen Sicherheitsbestimmungen bzgl. der Handhabung von Chemikalien, wie zum Beispiel Klebstoffen oder Dichtungsmitteln. Die Herstelleranweisungen in den Sicherheitsdatenblättern sind einzuhalten.

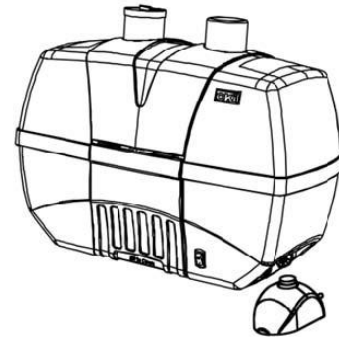
Während der Garantiezeit darf das Gerät nur von einem befugten Servicetechniker von Metcal repariert werden.

1.3. Auspacken und Überprüfung

Packen Sie das Schadstoffabsaugsystem vorsichtig aus, und überprüfen Sie die im Karton enthaltenen Einheiten. Prüfen Sie das Gerät auf eventuelle Transportschäden. Informieren Sie unverzüglich den Spediteur, wenn Sie einen Schaden feststellen. Schadensersatzansprüche müssen durch den Empfänger an den Transportunternehmer gestellt werden und sind dem Hersteller mitzuteilen.

1.4. Lieferumfang

- 1 System mit Vor-/Hauptfilter
- 1 Fernbedienung Ein/Aus
- 1 Netzkabel
- 1 Bedienungsanleitung



1.5. Leistungsmerkmale

- Ein/Aus-Schalter und „Soft-Start“ Funktion
- Geringer Geräuschpegel
- Hohe Absaugkraft und Luftdurchsatz
- Kompaktes, tragbares Gerät
- Akustisches Signal für Filterwechsel
- Effizienz HEPA-Filter von 99,97% (Modell BVX-201)
- Vor-/Gasfilter (Modell BVX-203)
- Anschluss an Schläuche oder Absaugarme mit 50 oder 63 mm Ø
- Gehäuse und Arme ESD-sicher
- Eingetragen in UL & CSA, CE-zertifiziert

1.6. Einsatzbereich

Das System BVX-200 ist ein mobiles Filtersystem für 1 oder 2 Arbeitsplätze zum Absaugen von Lötrauch, Feststoffteilchen und Dämpfen am Arbeitsplatz. Der zum Lieferumfang gehörende Filtersatz ist abhängig vom bestellten Gerätetyp.

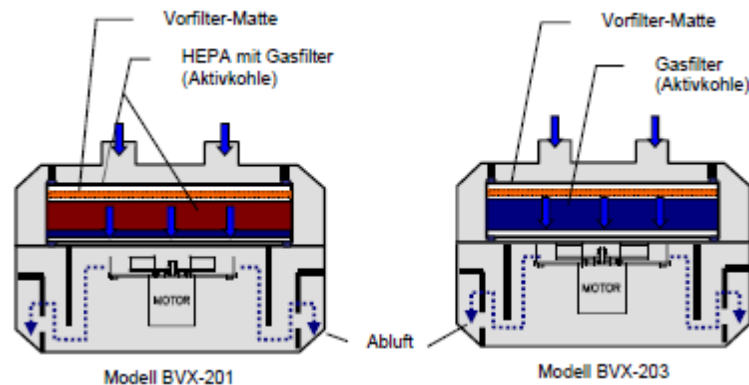
Das **Modell BVX-201** wird mit einem Vorfilter und einem Hauptfilter geliefert. Der kombinierte Hauptfilter besteht aus einem HEPA-Filter mit einer Effizienz von 99,97% bei 0,3 Mikron und einem Aktivkohlefilter. Dieses Modell wurde zum Absaugen von Lötrauch an LötKolben, Lötiegel usw. entwickelt..

Zum Lieferumfang des **BVX-203** gehören ein Vorfilter und ein Gasfilter (Aktivkohle). Es ist ausgelegt für Applikationen, wie zum Beispiel absaugen von Lösemitteln, Klebern, Silikonen auf Leiterplatten usw.



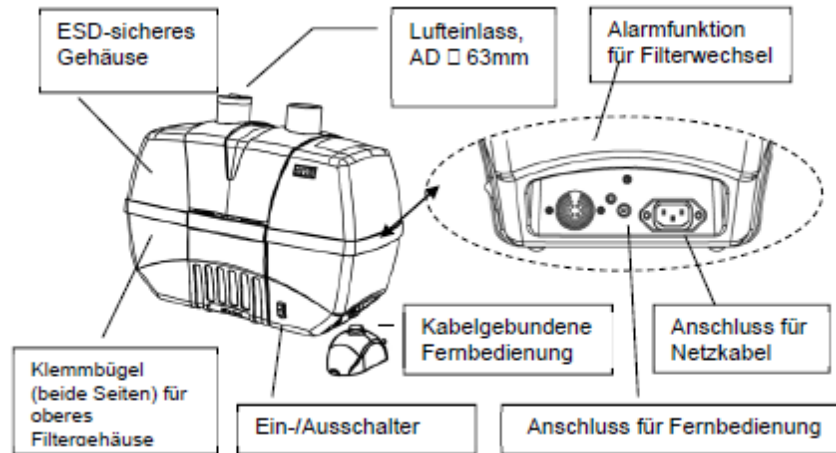
WARNUNG!

Setzen Sie sich mit der „Sicherheitsabteilung“ in Verbindung, wenn das System in der Nähe leicht entzündlicher Gase eingesetzt wird. Dieses Gerät ist nicht explosionsgeschützt und darf nicht zum Absaugen von leicht entzündlichen Dämpfen/Gasen eingesetzt werden (Explosionsgefahr)..



2. Beschreibung

2.1. Bedienelemente und Aufbau



2.2. Funktionsweise

Das effiziente Absaugen gefährlicher Dämpfe am Arbeitsplatz erfolgt in zwei Stufen: der Rauchabsaugung und der Filterung. Die Filtereinheit wird mit einem installierten Filtersatz geliefert.

Zur Steigerung der Effizienz empfiehlt Metcal die optionalen Absaugarme mit Zubehör (separate zu bestellen). Die Absaugarme müssen ordnungsgemäß angebracht (siehe separate Anweisung) und die Düsen so positioniert werden, dass eine optimale Schadstoffabsaugung gewährleistet ist..

Die abgesaugte Luft wird durch die Filter im Gerät gereinigt und dann an die Umgebungsluft abgegeben.

Setzen Sie sich mit der zuständigen Metcal Vertretung in Verbindung, wenn Sie Fragen zu den Filtern haben, die für Ihre Anwendung geeignet sind.

Wenn die Filter verstopft sind, wird ein Signal ausgelöst. Zum Austauschen der Filter lesen Sie bitte Abschnitt 5.4.

3. Technische Daten

Max. Absaugleistung, freiblasend	250 m ³ /h (150 cfm)
Durchflussrate	2 x 75 m ³ /h (45cfm)
Statischer Druck	850 Pa (3.5"WC)
Geräuschpegel (ca.)	< 55 dBA
Spannung	100 – 240 VAC, 1-phasig
Frequenz	50-60 Hz
Motorleistung	85 Watt
Sicherheitsbestimmungen	UL, CSA, CE
Abmessungen B/T/H	508 x 254 x 388 mm
Gewicht (ca.)	9 kg

4. Installation

Nehmen Sie das Schadstoffabsaugsystem aus der Verpackung, und stellen Sie es auf den Boden unter dem Arbeitstisch oder in die Nähe des Bereiches, in dem eine Absaugung erforderlich ist. Der Zugang zum Gerät für die Wartung der Filter muss gewährleistet sein..

Schließen Sie das Netzkabel an die Buchse auf der Seite des Systems an, und verbinden Sie das Kabel dann mit einer geerdeten Steckdose.



Warnung!

Das Gerät darf nur an eine geerdete Steckdose angeschlossen werden, so dass ausreichender Schutz gegen einen elektrischen Schlag sichergestellt ist.

Verbinden Sie das Gerät gemäß der Installationsanweisungen mit den (optionalen) Absaugarmen. Drücken Sie den Netzschalter an der unteren rechten Seite des Systems, und schalten Sie das Gerät ein (rot bedeutet "Gerät eingeschaltet"). Es muss mit einer Verzögerung von wenigen Sekunden gerechnet werden, ehe das Gebläse anläuft. Diese Verzögerung ist auf die integrierte „Soft-Start“ Funktion des Motors zurückzuführen.

Positionieren Sie die Absaugarme, um die Rauchabsaugung zu optimieren.

Führen Sie die Wartung des Systems wie nachstehend beschrieben durch.

5. Wartung und Reinigung

5.1. Filtereinheit – Wartung und Sicherheit

Der Wartungsaufwand des Schadstoffabsaugsystems ist gering. Das Gehäuse besteht aus ESD-sicherem Kunststoff. Nachstehend finden Sie einige Hinweise, mit denen Sie die einwandfreie Funktion des Geräts aufrecht erhalten können:

Reinigen Sie das Gerät mit einem weichen Tuch und einem milden Reinigungsmittel von Partikeln und Flussmittelrückständen (Das Gerät muss während der Reinigung ausgeschaltet sein).



Die Abluftöffnungen nicht blockieren, da sonst die Betriebstemperatur ansteigt, das Gerät möglicherweise beschädigt wird und die Leistung nachlässt.

Demontieren Sie den Filter-Verriegelungsschalter nicht. Wird das System ohne Filter betrieben, können Partikel und Flussmittelrückstände am Gebläse haften, die die Lebensdauer des Systems beeinträchtigen und Laufgeräusche verursachen.



Heben Sie das System während des Betriebs nicht an



Behandeln Sie die Filter sorgsam.

5.2. Austauschen der Filter

Modell BVX-201

Wenn Schadstoffe im Gerät herausgefiltert werden, können die Partikel nach und nach den Filter verstopfen. Die groben Partikel werden im Vorfilter, die feinen Partikel im HEPA-Filter aufgenommen. Durch das Verstopfen des Filters reduziert sich der Luftdurchsatz und somit die Schadstoffmenge, die vom Arbeitsbereich abgesaugt wird. Dieser Zustand macht nicht unbedingt einen Filterwechsel erforderlich. Sie können zunächst die optionalen Absaugarme näher an den Anwendungsbereich bringen, wenn dies möglich ist. Erst, wenn die Schadstoffe nicht mehr zufriedenstellend abgesaugt werden, müssen die Filter ausgetauscht werden. Wenn die Filter verstopft sind, wird ein Signal ausgelöst. Zum Austauschen der Filter lesen Sie bitte Abschnitt 5.4.

Wechseln Sie zuerst nur den Vorfilter. Kann hierdurch der Luftdurchsatz nicht verbessert werden, muss der Hauptfilter (HEPA/Kohlenstoff) ersetzt werden



Warnung!

Versuchen Sie nicht, die Filter zu reinigen. Die Filter können hierdurch beschädigt werden und mögliche Risiken für Gesundheit und Umgebung entstehen..



Hinweis: Der Hersteller empfiehlt, die Filter mindestens einmal jährlich zu wechseln. Regelmäßiger Wechsel des Vorfilters wird die Lebensdauer des Hauptfilters verlängern. Verwenden Sie nur Metcal Original Ersatzfilter.

Modell BVX-203

Dieses Modell ist mit einem Gasfilter ausgerüstet, der normalerweise nicht verstopft, so dass sich der Luftdurchsatz wie bei den HEPA-Filtern reduziert. Tauschen Sie beide Filter, den Vorfilter sowie den Kohlenstofffilter aus, sobald ein Geruch festzustellen ist.



Hinweis: Wechseln Sie die Filter mindestens alle 6 Monate, da die meisten Medien der Gasfilter durch Aufnahme von Feuchtigkeit aus der Umgebungsluft gesättigt werden. **Verwenden Sie nur Metcal Original Ersatzfilter.**

5.3. Sicherheitsschalter

Der Sicherheitsschalter verhindert den Betrieb des Systems ohne Filter und somit eine Verunreinigung des Geräteinneren..



WARNUNG!

Die Sicherheitsverriegelung darf nicht überbrückt werden, da dies zu Personenschäden führen könnte.



5.4. Filterwechsel:

1. Schalten Sie das Gerät aus.
2. Trennen Sie das Netzkabel.
3. Entriegeln Sie die Filterabdeckung (siehe Abbildung rechts).
4. Entfernen Sie die Abdeckung.
5. Wechseln Sie die Filter (Vorfilter/Hauptfilter). Vergewissern Sie sich, dass der Hauptfilter innerhalb der Stifte liegt, so dass der Sicherheitsschalter nach unten gedrückt wird..
6. Bringen Sie die Filterabdeckung wieder an, und prüfen Sie den korrekten Sitz am unteren Gehäuse. Haken Sie beide Bügel in die Filterabdeckung ein, und drücken Sie sie vorsichtig nach.



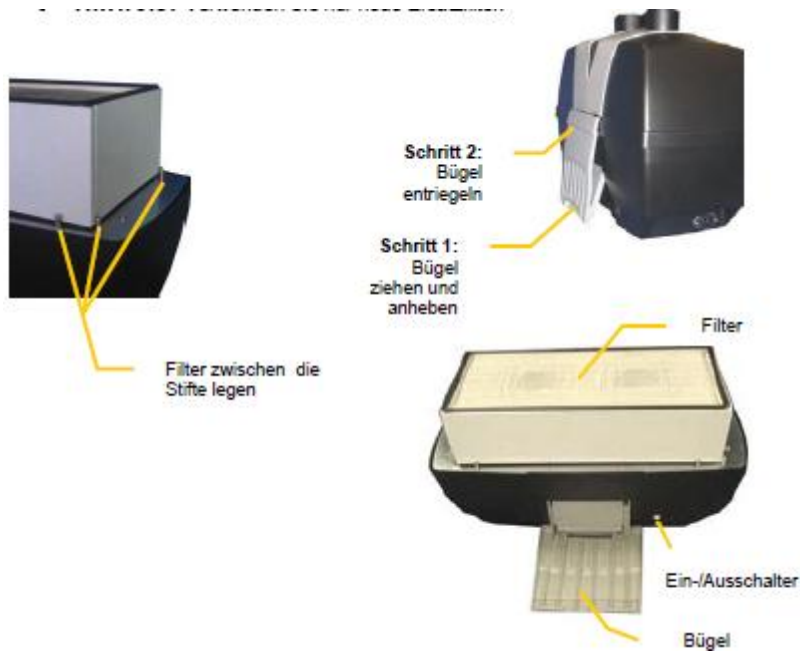
Achtung!

Keine Gewalt einsetzen! Prüfen Sie den Sitz der Filterabdeckung am unteren Gehäuse, wenn die Bügel nicht schließen.

7. Schließen Sie das Netzkabel wieder an, und schalten Sie das Gerät ein.
8. Sehen Sie im Abschnitt „Fehlerbehebung“ nach, wenn das Gerät nicht in Betrieb genommen werden kann.



Hinweis: Verwenden Sie nur neue Ersatzfilter!



5.5. Entsorgung der Filter

Gasfilter nehmen organische Stoffe auf und müssen ordnungsgemäß entsorgt werden. Da die Filter giftige Materialien enthalten können, sollte ein Einatmen von Staubpartikel oder ein Kontakt mit der Haut vermieden werden. Sehen Sie bzgl. der abgesaugt Materialien in den Sicherheitsdatenblättern nach und halten Sie sich an die dort aufgeführten Anweisungen zur Entsorgung

6. Fehlerbehebung

Problem	Mögliche Ursache	Prüfung und Behebung
Motor läuft nicht	Keine Spannung	Ein-/Ausschalter überprüfen Netzsteckdose überprüfen Netzkabel überprüfen Filter überprüfen Sicherheitsschalter überprüfen
Geringer Luftdurchsatz	System zieht Nebenluft	Schlauch/Arm auf undichte Stellen prüfen Installation von Schlauch/Arm prüfen Schlauch/Arm auf Verschmutzung prüfen
Akkustisches Signal wurde ausgelöst	Hohe Raumtemperatur	Zum Kalibrierungsverfahren lesen Sie bitte Abschnitt 6.1

Das Filterverstopfungssignal des BVX-200 ist auf eine bestimmte Raumtemperatur werkskalibriert und muss von dem Großteil der Nutzer nicht geändert werden. Nutzer in wärmeren Gegenden müssen die Temperatur zur Auslösung des Signals eventuell anpassen, um das Auslösen eines Fehl-Signals zu verhindern..

1. Bauen Sie das BVX-200 wie im Handbuch angegeben auf. Sowohl die Fernbedienung als auch der Hauptschalter sollten auf die Position „AUS“ gestellt.
2. Schalten Sie das System mit der Fernbedienung ein. Die LED-Anzeige der Fernbedienung wird beim Einschalten aufleuchten. Das System startet und Sie werden den Signalton für einen kurzen Moment hören, er sollte aber sofort wieder aufhören, während der Motor weiterhin läuft. Lassen Sie den Motor für 10 Minuten laufen, damit er seine normale Betriebstemperatur erreichen kann.
3. Während eine Ansaugöffnung abgedeckt ist, platzieren Sie eine Kalibrierscheibe mit einem Loch von 6 mm Ø über die andere Ansaugöffnung und warten bis der Signalton ertönt. Wenn Sie ihn hören, fahren Sie mit dem nächsten Schritt fort. Wenn Sie den Signalton nicht hören, nehmen Sie

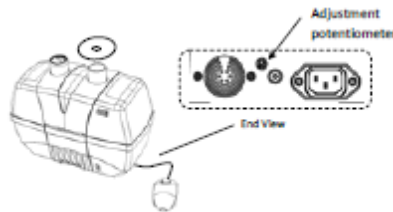
den Plastikblindstopfen an der rechten Geräteseite unten ab (Siehe Zeichnung) und drehen Sie das Potentiometer gegen den Uhrzeigersinn, bis Sie den Signalton hören.

4. Tauschen Sie die Kalibrierscheibe mit dem 6 mm Ø Loch gegen eine mit 15 mm Ø Loch aus. Wenn Sie den Signalton nach wie vor hören, passen Sie das Potentiometer an, indem Sie den Schraubenzieher im Uhrzeigersinn drehen, bis Sie den Signalton nicht mehr hören können. Bringen Sie den Blindstopfen wieder an, wenn Sie die korrekten Einstellungen vorgenommen haben..



Stellen Sie Ihre eigene Kalibrierscheibe her:

- Eine Standard-CD besitzt ein Loch in der Mitte von 15 mm Ø.
- Auf hartem Papier kann eine Papierstanze benutzt werden, um ein Loch von 6 mm zu stanzen..



7. Artikelnummern

7.1. Schadstoffabsaugsysteme

BVX-201	Filtersystem für 2 Absaugarme Vor-/HEPA-/Gasfilter
BVX-201-KIT	Filtersystem für 2 Absaugarme Vor-/HEPA-/Gasfilter
BVX-201-KIT1	Filtersystem mit 2 x 0,75 m Armen, 2 x Tischhalterung und 2 x 1,8 m Verbindungsschlauch, Vor- / HEPA/ Gasfilter
BVX-203	Filtersystem für 2 Absaugarme mit Vor-/Gasfilter

7.2. Ersatzfilter

	Modell BVX-201	Modell BVX-203
FP-BVX200 , Vorfilter (Packungseinheit 5)	ja	ja
FG-BVX200 , Gasfilter - Aktivkohle	nein	ja
FM-BVX200 Hauptfilter - HEPA 99,97% Aktivkohle	ja	nein

7.3. Optionale Arm-Kits und Zubehör

BVX-ARM-K1	Arm-Kit, bestehend aus BVX-Arm, BVX-CH01, BVX-TB01
BVX-ARML	Absaugarm, flexibel, Länge 1500 mm, Ø 50 mm, ESD-sicher
BVX-ARM	Absaugarm, flexibel, 750 mm, Ø 50 mm, ESD-sicher.
BVX-TB01	Tischbefestigung mit 2 Schraubklemmen
BVX-CH01	Verbindungsschlauch, 1.800 mm, Ø 50 mm
BVX-CH02	Verbindungsschlauch, 3.600 mm, Ø 50 mm

8. GEWÄHRLEISTUNG

Besuchen Sie bitte die Website von Metcal (www.metcal.com), auf der Sie weitere Informationen über Systeme, Zubehör, technische Hinweise usw. finden. Sie können sich auch mit dem zuständigen Vertreter in Verbindung setzen, der Ihnen Auskunft über Preise und Verfügbarkeit gibt.

Metcal übernimmt gegenüber dem Originalkäufer für die Geräte der

Serie BVX-200 eine Garantie für Material- und Verarbeitungsfehler von einem (1) Jahr. Ausgeschlossen von dieser Gewährleistung sind normale Verschleißteile sowie Schäden durch Öffnen, Missbrauch, geänderte oder beschädigte Positionen. Tritt ein Schaden innerhalb der Garantiezeit am Produkt auf, repariert oder ersetzt Metcal diesen kostenlos nach eigenem Ermessen. Die reparierten oder ausgetauschten Teile werden frachtfrei an den Erstkäufer versandt. Die Garantiezeit beginnt ab Kaufdatum. Kann das Kaufdatum nicht nachgewiesen werden, wird das Herstellungsdatum als Beginn der Gewährleistungsfrist betrachtet.

Für die Reparatur oder die Rücksendung des Gerätes muss eine Rücksendegenehmigungsnummer (RMA #) bei Metcal beantragt werden.

Manuale d'uso e manutenzione

Ci congratuliamo con Lei per avere acquistato il Sistema d'Estrazione Fumi BVX- 200. Esso è concepito per proteggere la Sua salute da agenti inquinanti pericolosi ed irritanti che potrebbero essere presenti nell'aria sul Suo posto di lavoro. Esso è stato studiato e prodotto in base ai più elevati standard qualitativi. La ringraziamo per aver riposto la Sua fiducia in noi e ci impegniamo a fornirle la massima assistenza e tutto il supporto di cui avrà bisogno nell'impiego del nostro prodotto.

Questa documentazione è stata redatta allo scopo di aiutarla nell'installazione, nell'uso e nella manutenzione del sistema. Le raccomandiamo di esaminarla attentamente per la Sua sicurezza ed al fine di ottimizzare le prestazioni del sistema..

1. Si prega di osservare quanto segue	
1.1. Avvertenze importanti	29
1.2. Per la sicurezza dell'operatore	29
1.3. Disimballaggio e controllo	29
1.4. Contenuto della fornitura	39
1.5. Caratteristiche	39
1.6. Utilizzo	39
2. Descrizione	40
3. Dati tecnici	40
4. Installazione	41
5. Manutenzione e pulizia	41
6. Localizzazione guasti	43
7. Codici articolo	44
8. Garanzia	45

1. Si prega di osservare quanto segue

1.1. Avvertenze importanti



Avvertenza!

Si riferisce a norme di sicurezza e richiede misure cautelative volte a proteggere l'incolumità dell'operatore o di altre persone.



Attenzione!

Richiama l'attenzione su ciò che occorre fare o evitare per non danneggiare l'unità o altri beni.



Avviso:

Fornisce raccomandazioni per una migliore manipolazione dell'apparecchio durante il funzionamento o la regolazione e per le operazioni di manutenzione.

1.2. Per la sicurezza dell'operatore



AVVERTENZA!

Per un funzionamento efficace e sicuro dell'apparecchio si raccomanda di leggere l'intero contenuto del presente libretto. In caso di inosservanza delle presenti istruzioni, la casa produttrice non potrà assumersi alcuna responsabilità. Conservare il presente manuale per eventuali esigenze future.



AVVERTENZA!

Consultarsi con il proprio "reparto sicurezza" in caso d'impiego dell'apparecchio con gas infiammabili. L'unità non è antideflagrante e può essere utilizzata **soltanto** per l'estrazione di vapori con livelli di concentrazione ben al di sotto della soglia minima di esplosività..

AVVERTENZA!

Non utilizzare l'apparecchio per l'estrazione di sostanze corrosive.



AVVERTENZA!

Non esporre il cavo di Alimentazione al calore, né al contatto con oli o elementi taglienti.

AVVERTENZA!

Accertarsi che l'apparecchio sia posizionato in modo stabile e sicuro.

AVVERTENZA!

Utilizzare soltanto filtri originali.



AVVERTENZA!

Non mettere in funzione l'apparecchio senza gli inserti filtranti. La presenza di contaminanti nell'aria estratta danneggia il ventilatore.

AVVERTENZA!

Staccare sempre l'apparecchio dall'alimentazione di corrente prima di sottoporlo a manutenzione o riparazione.



AVVERTENZA!

Non coprire mai le aperture di scarico.

AVVERTENZA!

Non coprire mai contemporaneamente tutte le prese d'aria.



Eccezione: possibilità di chiudere un'apertura per il funzionamento a singola stazione.

AVVERTENZA!

Questo sistema è dotato di protezione contro i sovraccarichi con ripristino automatico che può provocare il riavvio automatico dell'apparecchio.



AVVERTENZA!

Osservare le norme generali di sicurezza previste per la manipolazione di sostanze chimiche quali adesivi e materiali di tenuta. Osservare le istruzioni della casa produttrice riportate nella scheda tecnica di sicurezza dei materiali in uso (MSDS = Material Safety Data Sheet).



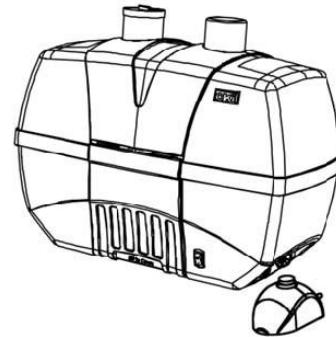
Nel periodo di validità della garanzia, l'apparecchio può essere riparato soltanto da personale d'assistenza autorizzato da Metcal.

1.3. Disimballaggio e controllo

Disimballare accuratamente il sistema per l'estrazione di fumi ed esaminare gli articoli contenuti nella scatola. Controllare che l'apparecchio non abbia subito danni durante il trasporto e, qualora ciò si sia verificato, contattare subito lo spedizioniere. I reclami, in caso di danno, dovranno essere notificati alla casa produttrice dell'apparecchio.

1.4. Contenuto della fornitura

- 1 Unità filtrante con i filtri installati
- 1 Interruttore start/stop remoto
- 1 Cavo d'alimentazione
- 1 Manuale per l'utente



1.5. Caratteristiche

- Interruttore On/Off con avviamento "morbido" (*soft-start*)
- Silenziosità di funzionamento
- Elevata forza d'aspirazione e potente flusso d'aria
- Unità compatta e portatile
- Efficienza HEPA del 99,97% (modello BVX-201)
- Filtro gas più profondo (*deep-bed*) (modello BVX-203)
- Collegabile a tubi flessibili o bracci di 50mm(2") o 63mm(2.5")
- Corpo con sicurezza ESD
- Riportato negli elenchi UL e CSA, certificato CE

1.6. Utilizzo

Il sistema per l'estrazione dei fumi è un sistema filtrante portatile a due stazioni per l'evacuazione di fumi, polveri leggere o vapori dal posto di lavoro. Il set di filtri fornito in dotazione con l'unità varia a seconda dei modelli.

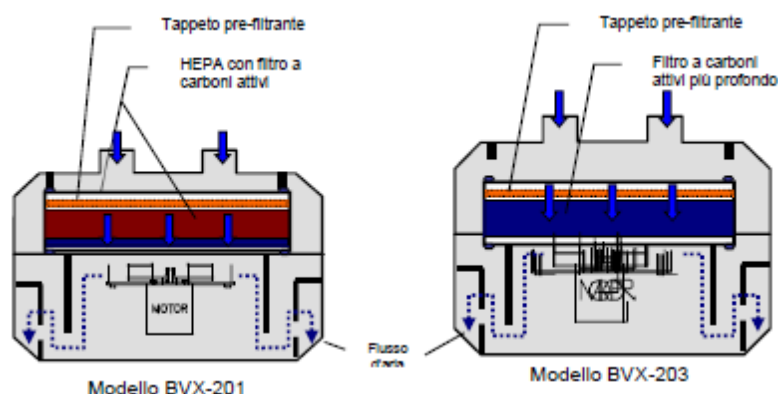
Il **modello BVX-201** è fornito con un pre-filtro e con un filtro principale. Il filtro principale è un filtro combinato costituito da un filtro HEPA con un'efficienza del 99,97% a 0,3 micron ed un filtro a carboni attivi. Questo modello è concepito per applicazioni nelle quali si sviluppano fumi da saldatori manuali, pozzetti di stagnatura, ecc.

Il **modello BVX-203** è fornito con un pre-filtro e con un filtro gas più profondo (*deep-bed*) (carboni attivi). Questo modello è studiato per applicazioni legate alla pulitura con solventi o nel conformal coating, etc.



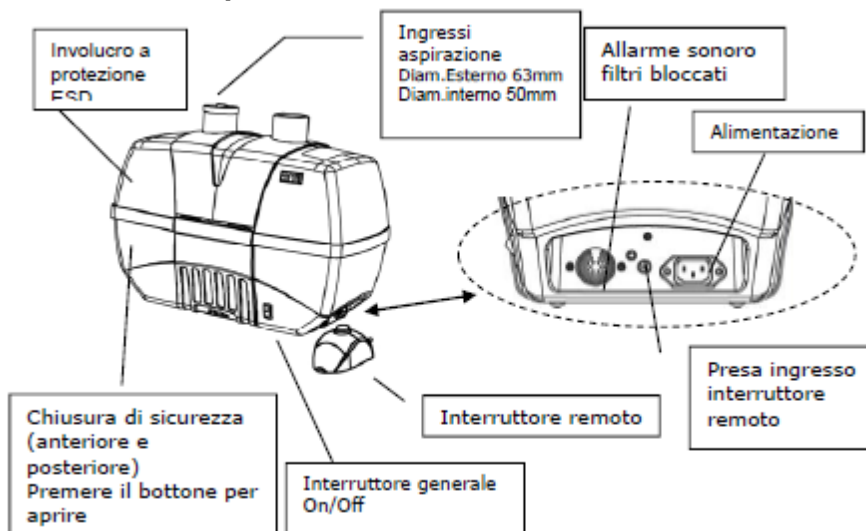
AVVERTENZA!

Consultarsi con il proprio "reparto sicurezza" in caso d'impiego dell'apparecchio con gas infiammabili. L'unità non è antideflagrante e può essere utilizzata **soltanto** per l'estrazione di vapori con livelli di concentrazione ben al di sotto della soglia minima di esplosività.



2. Descrizione

2.1. Elementi operativi e struttura



2.2. Principio di funzionamento

Il processo che consente l'efficace evacuazione di fumi pericolosi dal posto di lavoro avviene in due fasi: cattura dei fumi e filtraggio. L'unità filtrante viene consegnata con un set di filtri già installati.

Per catturare i fumi, Metcal consiglia di utilizzare bracci ed accessory optional (acquistabili a parte). I bracci debbono essere opportunamente messi a punto (le relative istruzioni sono allegate ai bracci stessi) e l'ugello deve essere posizionato in modo tale da ottimizzare la cattura dei fumi..

L'aria estratta dall'area di lavoro sarà purificata e fatta passare attraverso i filtri situati all'interno dell'apparecchio per poi essere reimpressa nell'area di lavoro.

Per eventuali delucidazioni o consigli relativamente alla scelta dei filtri più indicate per le singole applicazioni, rivolgersi al proprio rappresentante Metcal di zona.

Quando i filtri sono bloccati, viene attivato un allarme. Fare riferimento alla sezione 5.4 per le procedure per la sostituzione dei filtri..

3. Dati tecnici

Flusso d'aria max., libera circolazione	250m ³ /h (150cfm)
Portata	2 x 75 m ³ /h (45cfm)
Pressione statica	850 Pa (3.5"WC)
Livello di rumorosità (appross.)	< 55dBA
Tensione	100 – 240 VAC, 1 fase
Frequenza	50-60 Hz
Potenza elettrica motore	85 Watts
Conformità standard sicurezza	UL, CSA, CE
Dimensioni L/P/H mm	508 x 254 x 388
Dimensioni L/P/H poll	20" x 10" x 15.3"
Peso (appross.)	20 lbs. / 9 kg

4. Installazione

Togliere il sistema per l'estrazione dei fumi dall'imballaggio e posizionarlo sul pavimento sotto al banco di lavoro, oppure in prossimità dell'area di lavoro nella quale sia necessario evacuare i fumi. Accertarsi che l'apparecchio sia ben accessibile per poter effettuare i necessari interventi di manutenzione sui filtri.

Collegare il cavo d'alimentazione dell'apparecchio all'uscita situata sul lato del sistema. Inserire la spina del cavo in una presa di corrente a parete collegata a terra.



Avvertenza!

Per assicurare la necessaria protezione dalle scosse elettriche, effettuare il collegamento soltanto a prese che siano debitamente collegate a terra.

Collegare l'apparecchio ai bracci (optional) seguendo le istruzioni per l'installazione. Per accendere il sistema, abbassare l'interruttore principale, situato a destra sulla parte inferiore dell'apparecchio. (La spia rossa indica la posizione "Acceso") In seguito a tale operazione possono trascorrere alcuni secondi prima di sentir girare la ventola. Ciò è dovuto alla particolare caratteristica di avviamento "morbido" (detta appunto "soft-start") di cui l'apparecchio è dotato

Posizionare i bracci in modo da ottimizzare la cattura dei fumi..

Seguire le procedure di manutenzione illustrate di seguito.

5. Manutenzione e pulizia

5.1. Unità filtrante – Manutenzione e sicurezza

Il sistema per l'estrazione dei fumi è concepito in modo tale da richiedere pochissima manutenzione. Il corpo è realizzato in plastica antistatica per la sicurezza ESD. Di seguito si riportano alcuni consigli che consentono di mantenere l'apparecchio in perfette condizioni di funzionamento il più a lungo possibile

Per pulirlo, utilizzare un panno leggero con un detergente delicato per prevenire l'accumulo di residui di particolato e di flussante (accertarsi che l'apparecchio sia spento prima di procedere alla pulizia).



Non ostruire le uscite di scarico poiché ciò provocherebbe un aumento della temperatura di esercizio del sistema con potenziale danneggiamento dell'unità e relative calo del rendimento.

Non manomettere il dispositivo di blocco del filtro. Il funzionamento del sistema senza filtro consente ai residui di particolato e di flussante di aderire al ventilator accorciando così la vita utile dell'apparecchio ed aumentandone la rumorosità.



Non sollevare il sistema mentre è in funzione



Maneggiare i filtri con cura.

5.2. Tempistiche per la sostituzione dei filtri

Modello BVX-201

Man mano che i fumi vengono filtrati all'interno dell'apparecchio il particolato aspirato intasa progressivamente il filtro. Le particelle più grosse sono raccolte nel pre-filtro, mentre quelle di consistenza più fine vengono captate dal filtro HEPA. L'intasamento progressivo del filtro provoca una riduzione del flusso d'aria che a sua volta produce una riduzione della quantità di fumi estratti dall'area di lavoro. Tale condizione non richiede necessariamente la sostituzione del filtro. A questo punto per prima cosa, se possibile, avvicinare di più i bracci all'applicazione. Se il grado di aspirazione desiderato in questo modo non viene ripristinato, è necessario procedere alla sostituzione dei filtri. Quando i filtri sono bloccati, viene attivato un allarme. Fare riferimento alla sezione 5.4 per le procedure per la sostituzione dei filtri.

Inizialmente sostituire soltanto il pre-filtro. Se questa operazione non basta a migliorare il flusso d'aria, sostituire anche il filtro principale (HEPA/carbone).



AVVERTENZA!

Non cercare di pulire i filtri. Questa operazione potrebbe danneggiarli e costituire un potenziale pericolo per l'incolumità dell'operatore e dell'attrezzatura..



Avviso: Metcal raccomanda di sostituire i filtri almeno una volta all'anno. La sostituzione regolare del pre-filtro estenderà la vita del filtro principale (HEPA/carboni attivi). Per la sostituzione utilizzare esclusivamente filtri originali.

Modello BVX-203

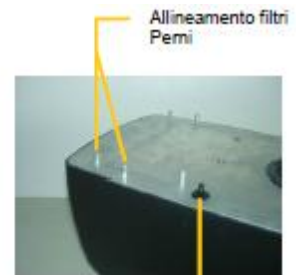
Questo modello è dotato di un filtro gas più profondo (deep-bed), che solitamente non si intasa e che non è soggetto a calo del flusso d'aria come generalmente accade agli filtri HEPA. Sostituire entrambi i filtri, pre-filtro e filtro a carboni attivi, alla comparsa di odori..



Avviso: sostituire i filtri almeno ogni 6 mesi, poiché la maggior parte dei mezzi filtranti gas raggiunge la saturazione mediante assorbimento di umidità dall'aria ambientale. **Utilizzare soltanto filtri di ricambio originali.**

5.3. Dispositivo di blocco

L'interruttore di sicurezza è un dispositivo di blocco che spegne la ventola quando il filtro principale viene smontato e quando l'apertura di presa d'aria della ventola è esposta. L'interruttore di sicurezza, inoltre, impedisce al sistema di funzionare senza filtri nel caso in cui vi siano impurità che contaminerebbero l'unità interna..



AVVERTENZA!

Non bypassare il dispositivo di blocco di sicurezza poiché tale operazione potrebbe provocare il ferimento di qualcuno.

5.4. Procedura per la sostituzione dei filtri:

1. Spegner l'apparecchio.
2. Staccare il cavo d'alimentazione.
3. Sbloccare il coperchio del filtro (vedi illustrazione a destra).
4. Togliere il coperchio del filtro.
5. Sostituire i filtri (pre-filtro/filtro principale). Assicurarsi di posizionare il filtro principale dentro all'area di allineamento delimitata dagli appositi perni di modo che il dispositivo di blocco venga abbassato.
6. Riposizionare il coperchio del filtro e controllare che sia ben inserito nella parte inferiore dell'apparecchio. Agganciare le due chiusure nel coperchio del filtro e spingerle cautamente verso il basso.

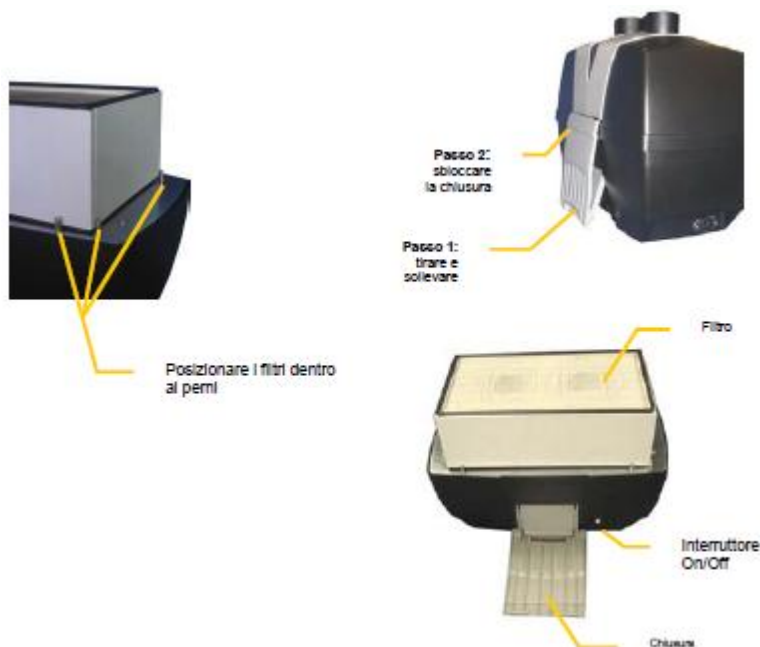
Attenzione!

Non forzare le chiusure. Se i due ganci non si chiudono, controllare che il coperchio del filtro sia ben inserito nella parte inferiore dell'apparecchio.

7. Ricollegare il cavo d'alimentazione ed accedere il sistema.
8. Se l'apparecchio non funziona, fare riferimento alla sezione relativa alla localizzazione guasti.



Avviso: utilizzare sempre filtri di ricambio nuovi!



5.5. Smaltimento dei filtri

Il filtro gas raccoglie alcuni materiali organici e pertanto potrebbe essere necessario prestare particolare attenzione in fase di smaltimento. Il filtro può contenere materiali tossici e quindi occorre evitare l'inalazione delle particelle di polvere o l'esposizione della pelle a dette sostanze. Consultare le schede tecniche di sicurezza MSDS relative al materiale utilizzato e seguire le istruzioni fornite per la relativa manipolazione.

6. Localizzazione guasti

Problema	Possibili cause	Verifica e correzione
Manca flusso d'aria	Manca potenza	Controllare l'interruttore On/Off Controllare l'uscita di potenza Controllare il cavo d'alimentazione Controllare il filtro Controllare il dispositivo di blocco di sicurezza
Attivazione di un allarme	Perdita d'aria	Controllare che non vi siano perdite nei tubi flessibili/bracci Controllare che i tubi flessibili/bracci siano installati correttamente Controllare che i tubi flessibili/bracci non siano parzialmente intasati
Attivazione di un allarme udibile	Temperatura ambiente elevata	Fare riferimento alla procedura di calibrazione 6.1

L'allarme per il blocco dei filtri di BVX-200 è calibrato dal produttore a una temperatura specifica che, per la maggior parte degli utenti, non avrà bisogno di essere modificata. Tuttavia, per gli utenti che risiedono in luoghi più caldi, potrebbe essere necessario modificare l'impostazione della temperatura di BVX-200 per prevenire falsi allarmi.

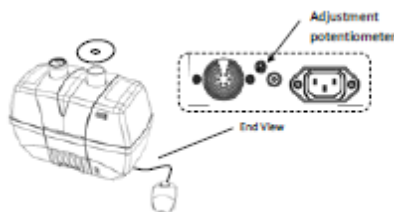
1. Assemblare il BVX-200 seguendo le istruzioni riportate nella guida per l'utente. Sia l'interruttore remoto sia l'interruttore principale devono essere nella posizione "Off".

2. Accendere l'unità principale e premere l'interruttore remoto. La spia LED dell'interruttore remoto si accenderà. L'unità sarà attivata e si potrà udire un allarme temporaneo, che si interromperà dopo l'avviamento del motore. Lasciare il motore acceso per almeno 10 minuti, per raggiungere la normale temperatura di funzionamento.
3. Con una apertura già bloccata, posizionare una piastra per il blocco con un foro del diametro di 6mm sull'altra apertura di presa d'aria e aspettare di sentire l'allarme. Se si sente l'allarme, si può procedere al passo successivo; se non si sente l'allarme, rimuovere il tappo di chiusura di plastica e girare il potenziometro in senso antiorario sino a quando si potrà udire l'allarme.
4. Sostituire la piastra con il foro del diametro di 6mm con una dal diametro di 15mm. Se si può udire ancora l'allarme, girare delicatamente il potenziometro in senso orario utilizzando un cacciavite, sino a quando l'allarme non si sentirà più. Riposizionare il tappo di chiusura una volta raggiunta l'impostazione corretta..



Come creare delle piastre per il blocco:

- Un CD standard presenta un foro centrale del diametro di 15mm.
- Si può utilizzare una perforatrice per carta su un cartone duro per effettuare un foro di circa 6mm.



7. Codici articolo

7.1. Unità filtranti

BVX-201	Unità filtranti per 2 stazioni, Pre / HEPA / Gas
BVX-201-KIT	Unità filtranti con bracci da 2000 x 1500mm, Pre / HEPA/ Gas
BVX-201-KIT1	Unità filtranti con bracci da 2000 x 750mm, staffa da tavolo e tubo flessibile di collegamento di 1800mm, Pre / HEPA/ Gas
BVX-203	Unità filtranti per 2 stazioni, Pre / Deep Bed Gas

7.2. Sostituzione filtri

	Modello BVX-201	Modello BVX-203
FP-BVX200 , Pre-filtro (Conf. 5 pz)	sì	sì
FG-BVX200 , Filtro gas "deep-bed"	no	sì
FM-BVX200 Filtro principale, HEPA 99,97% /carbone	sì	no

7.3. Kit ed accessori optional

BVX-ARM-K1	Kit comprensivo di BVX-ARM, BVX-CH01, BVX-TB01
BVX-ARML	Braccio, flessibile, 1500mm (59") x 50mm (2"), con sicurezza ESD
BVX-ARM	Braccio, flessibile, 750mm (29,5") x 50mm (2"), con sicurezza ESD
BVX-TB01	Staffe da tavolo con due morsetti a C ciasc.
BVX-CH01	Tubo flessibile di collegamento, 1800mm (6') x 50mm (2")
BVX-CH02	Tubo flessibile di collegamento, 3600mm (12') x 50mm (2")

8. **GARANZIA**

Vi invitiamo a visitare il sito web di Metcal (www.metcal.com) dove troverete le informazioni disponibili su sistemi, accessori, caratteristiche tecniche, e tanto altro. Potete inoltre contattare il vostro rappresentante Metcal di zona per ulteriori informazioni su prezzi e disponibilità..

Metcal garantisce all'acquirente iniziale per un periodo di un (1) anno, a decorrere dalla data d'acquisto, che i prodotti della serie BVX-200 sono esenti da difetti materiali e di lavorazione. Questa garanzia non copre la normale manutenzione e non è applicabile per i prodotti aperti, utilizzati in modo improprio, manomessi o danneggiati. In caso di guasto riscontrato durante il periodo di garanzia, Metcal provvederà, gratuitamente ed a propria ed esclusiva discrezione, alla riparazione o sostituzione dell'articolo. Gli articoli riparati o sostituiti saranno (ri)spediti all'acquirente previo pagamento anticipato delle spese di trasporto da parte di quest'ultimo. Il periodo di validità della garanzia decorre dalla data d'acquisto dell'articolo. In assenza di document attestante la data d'acquisto, la garanzia decorrerà dalla data di fabbricazione.

Per la riparazione o restituzione di un apparecchio è necessario richiedere l'apposito codice di autorizzazione alla restituzione (RMA # = Return Material Authorization Number)..

Manual de Operación y Guía del Usuario

Felicidades por su compra del Sistema de Extracción de Humos BVX-200. Este sistema ha sido diseñado para proteger su salud contra la contaminación del aire, peligrosa e irritante al mismo tiempo, que pueda haber en su área de trabajo. Su diseño y manufactura responden a las normas más altas de calidad. Apreciamos la confianza que ha depositado en nosotros y nos comprometemos a ofrecerle el más alto nivel de apoyo y servicio al cliente.

Este documento ha sido preparado para que lo guíe a través de la instalación, operación y mantenimiento por parte del usuario de su sistema. Le recomendamos que lo consulte para optimizar el rendimiento del equipo y para su seguridad.

1. Sírvase Tener en Cuenta lo Siguiete	
1.1. Sección Enfatizada	38
1.2. Para Su Seguridad	38
1.3. Desempaque e Inspección	38
1.4. Artículos Suministrados	39
1.5. Características	39
1.6. Uso	39
2. Descripción	40
3. Datos Técnicos	40
4. Instalación	41
5. Mantenimiento y Limpieza	41
6. Solución de Problemas Prácticos	43
7. Números de Pieza	44
8. Garantía	45

1. Sírvase Tener en Cuenta lo Siguiendo

1.1. Secciones Enfatizadas



Advertencia!

Se refiere a reglas de seguridad y requiere medidas de seguridad para proteger al operador o a otra persona de lesiones.



Precaución!

Recalca lo que se debe hacer o evitar para que la unidad u otros bienes no se dañen.



Aviso:

Recomendaciones para un mejor manejo de la unidad durante la operación o el ajuste y también para actividades de servicio.

1.2. Para Su Seguridad



ADVERTENCIA!

Para la operación segura y satisfactoria de la unidad, lea estas instrucciones en su totalidad. Si no se tienen en cuenta las instrucciones, el fabricante no puede asumir responsabilidad alguna. Conserve este manual para referencia futura.



ADVERTENCIA!

Consulte con su “departamento de seguridad” cuando use la unidad con gases inflamables. Esta unidad no es a prueba de explosiones y solamente se puede usar para la extracción de humos con niveles de concentración bien por debajo de los umbrales explosivos.

ADVERTENCIA!

No use la Unidad para la extracción de sustancias corrosivas.



ADVERTENCIA!

No exponga el cable de conexión al calor, al aceite o a bordes filosos.

ADVERTENCIA!

Use solamente los filtros originales del equipo.

ADVERTENCIA!

Asegúrese de que la Unidad se mantenga en posición estable y fija.



ADVERTENCIA!

No haga funcionar la Unidad sin los insertos de filtro. Los contaminantes del aire extraído dañarían el soplador.

ADVERTENCIA!

Desconecte siempre el suministro de energía antes de realizar tareas de servicio de la unidad.



ADVERTENCIA!

No cubra nunca las aberturas de escape.

ADVERTENCIA!

No cubra nunca todas las aberturas de entrada de aire simultáneamente:



Excepción: Una abertura cerrada para operación de una sola estación.

ADVERTENCIA!

Este sistema está equipado con protección de sobrecarga por reposición automática, que puede hacer que la unidad vuelva a arrancar en forma automática.



ADVERTENCIA!

Observe las reglas generales de seguridad para el manejo de químicos como adhesivos y selladores. Observe las instrucciones del fabricante indicadas en la Hoja de Datos de Seguridad de Materiales (MSDS).



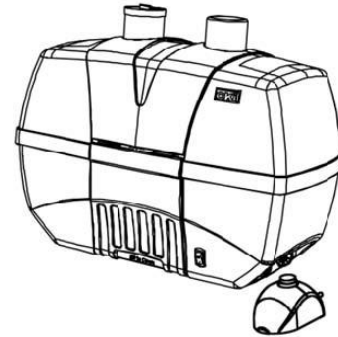
Mientras dura el período de garantía, la unidad solamente puede ser reparada por un Representante de Servicio Autorizado de Metcal.

1.3. Desempaque e Inspección

Desempaque con cuidado el Sistema de Extracción de Humos y examine los artículos incluidos en la Caja. Inspeccione la unidad para verificar que no se hayan producido daños en tránsito. Si se hubieran producido daños, notifique de inmediato al transportista. Los reclamos por daños deben ser realizados por el consignatario al transportista y se los debe comunicar al fabricante.

1.4. Artículos Suministrados

- 1 Unidad de Filtro con los filtros instalados
- 1 Llave de encendido/apagado remoto
- 1 Cable de energía
- 1 Manual de Operación



1.5. Features

- Interruptor Encendido/Apagado con medios de “arranque suave”
- Bajo nivel de ruido
- Fuerza de succión y flujo de aire altos
- Compacto y portátil
- Llave opcional remota de apagado/encendido
- Eficiencia HEPA de 99,97% (Modelo BVX-201)
- Filtro de gas de lecho profundo (Modelo BVX-203)
- Se conecta a mangueras o brazos de escape de 50mm o 63mm
- Caja segura ESD
- Listado por UL y CSA; certificado por CE

1.6. Uso

El Sistema de Extracción de Humos es un sistema de filtrado portátil, de dos estaciones, para la extracción de humo, polvo liviano o humos en el lugar de trabajo. El juego de filtros suministrado con la unidad de filtrado depende del modelo pedido..

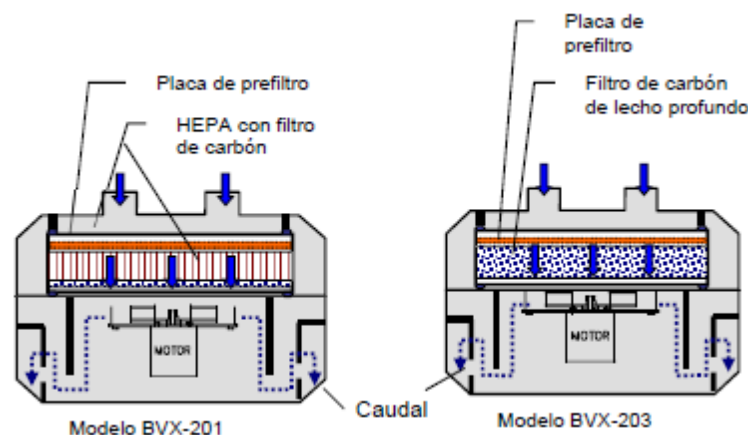
El Modelo BVX-201 se suministra con un prefiltro y un filtro principal. El filtro principal es un filtro combinado que comprende un filtro HEPA con una eficiencia de 99,97% a 0,3 micrones y un filtro de carbón activado. Este modelo ha sido diseñado para aplicaciones como los humos de soldadura provenientes de hierros de soldar, crisoles de soldadura, etc..

El Modelo BVX-203 se suministra con un prefiltro y un filtro de gas de lecho profundo (carbón activado). Este modelo ha sido diseñado para aplicaciones como la limpieza con solventes, el revestimiento de conformación, etc.



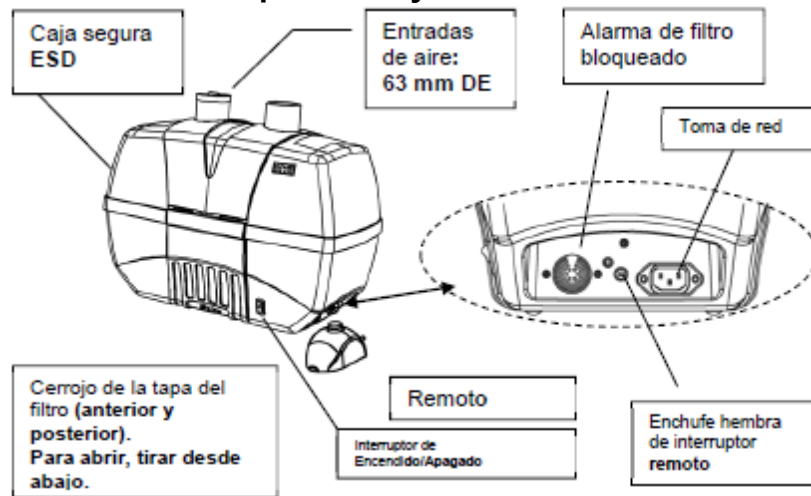
ADVERTENCIA!

Consulte con su “departamento de seguridad” cuando use la unidad con gases inflamables. Esta unidad no es a prueba de explosiones y solamente se le usa para la extracción de humos con niveles de concentración bien por debajo de los umbrales explosivos.



2. Descripción

2.1. Elementos Operativos y Construcción



2.2. Teoría de Operación

La extracción eficiente de humos peligrosos en su lugar de trabajo es un proceso que consta de dos pasos: captura y filtrado de humos. La unidad de filtrado se suministra con un juego de filtros ya instalado.

Para capturar los humos, Metcal recomienda el uso de brazos de escape y accesorios opcionales (que se adquieren por separado). Los brazos de escape deben ser instalados correctamente (de acuerdo con las instrucciones suministradas con el brazo de escape) y la tobera debe ser posicionada como para optimizar la captura de humos.

El aire extraído de su área de trabajo se purifica al pasar por los filtros dentro de la unidad y luego vuelve a su área de trabajo.

Consulte a su representante local de Metcal si tiene alguna pregunta sobre la selección de los filtros más adecuados para el uso que usted les dará.

Cuando los filtros se obstruyen, comenzará a sonar una alarma. Consulte los procedimientos de cambio de filtros en la sección 5.4.

3. Datos Técnicos

Flujo de aire máximo, soplado libre	250m ³ /h (150cfm)
Caudal	2 x 75 m ³ /h (45cfm)
Presión estática	850 Pa (3,5" columna de agua)
Nivel de ruido (aproximado)	< 55dBA
Tensión	100 – 240 VAC, 1 fase
Frecuencia	50-60 Hz
Potencia del motor	85 vatios
Normas de seguridad	UL, CSA, CE
Dimensiones An/L/AI mm	508 x 254 x 388
Dimensiones An/L/AI pul	20" x 10" x 15.3"
Peso (aprox.)	20 libras / 9 kg

4. Instalación

Retire el Sistema de Extracción de Humos de los materiales de empaque y colóquelo en el piso bajo el banco de trabajo o cerca de su área de trabajo, donde se requiere la extracción de humos. Asegúrese de tener acceso a la unidad para el mantenimiento de los filtros..

Conecte el cable de energía a la toma del lado del sistema. Enchufe el cable de energía en un tomacorriente de pared con puesta a tierra.



Advertencia!

Para protección contra el riesgo de choque eléctrico, conecte solamente a tomas debidamente puestas a tierra.

Conecte la unidad a brazos de escape (opcionales) siguiendo las instrucciones de instalación. Para activar el sistema, oprima el interruptor de alimentación situado a la derecha y abajo en la unidad. (Rojo indica posición “Encendido”) El Operador debe tener en cuenta que habrá una demora de unos segundos antes de que escuche el funcionamiento del ventilador. Esto se debe a una “característica de arranque suave” incorporada al motor.

Coloque los brazos de escape en la posición necesaria para optimizar la captura de humos.

Siga los procedimientos de mantenimiento indicados más abajo.

5. Mantenimiento y Limpieza

5.1. Unidad de Filtrado – Mantenimiento y Seguridad afety

El Sistema de Extracción de Humos ha sido diseñado teniéndose en cuenta la conveniencia de un mantenimiento mínimo. La caja es de plástico seguro ESD. Los siguientes son algunos consejos para que su sistema funcione con un rendimiento óptimo:

Para la limpieza, use un frotador liviano con un limpiador suave para evitar la acumulación de partículas y de residuos de fundente (asegúrese de que la unidad esté apagada cuando realiza la limpieza).



Evite el bloqueo de las salidas de escape; esto provocaría el aumento de la temperatura operativa del sistema, con los consiguientes daños a la unidad y reducción del rendimiento.

No deshabilite el interruptor de bloqueo de filtro. El uso del sistema sin filtros permite la adhesión de partículas y residuos de fundente al soplador y, en consecuencia, la reducción de la vida del sistema y el aumento del ruido.



No levante el sistema cuando está en funcionamiento



Manipule siempre los filtros con cuidado.

5.2. Cambio de Filtro

Modelo BVX-201

Cuando los humos se filtran dentro de la unidad, con el tiempo, las partículas capturadas empiezan a obstruir el filtro. Estas partículas gruesas se acumulan en el prefiltro, en tanto que las partículas finas se acumulan en el filtro HEPA. La obstrucción provoca una reducción del flujo de aire, que puede reducir la cantidad de humos extraída del área de trabajo. Esta situación no requiere necesariamente el cambio de filtro. Una medida que se puede adoptar es mover los brazos de extracción opcionales más cerca de la aplicación, si fuera posible. Si los humos ya no se extrajeran al nivel de satisfacción previo, será necesario cambiar de filtro. Cuando los filtros se obstruyen, comenzará a sonar una alarma. Consulte los procedimientos de cambio de filtros en la sección 5.4.

Para empezar, cambie solamente el prefiltro. Si al hacerlo el flujo de aire no mejora lo suficiente, cambie también el filtro principal (HEPA/Carbón).



Advertencia!

No trate de limpiar los filtros. Los intentos de limpieza pueden dañar los filtros y provocar riesgos potenciales para la salud y el equipo..



Aviso: Metcal recomienda cambiar los filtros una vez al año como mínimo. El cambio frecuente del prefiltro prolongará la vida del filtro principal (HEPA/Carbono). Use solamente filtros originales como repuestos.

Modelo BVX-203

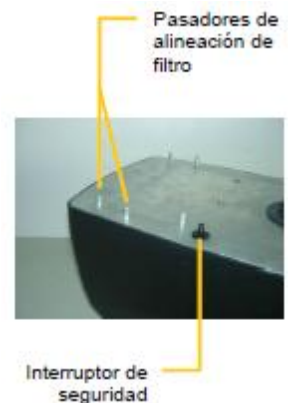
Este modelo cuenta con un filtro de gas de lecho profundo que, generalmente, no se atasca ni reduce el flujo de aire como ocurre habitualmente con los filtros HEPA. Cambie ambos filtros, el prefiltro y el filtro de carbón, en cuanto empiece a sentir olores.



Aviso: Cambie los filtros por lo menos una vez cada 6 meses, ya que los medios de filtro de fase gaseosa alcanzan la saturación al absorber humedad del aire ambiente. **Use solamente filtros originales Metcal como repuestos.**

5.3. Enclavamiento de Seguridad

El interruptor de seguridad es un bloqueador que desconecta el ventilador cuando se retira el filtro principal y cuando la abertura de entrada del ventilador está expuesta. El interruptor de seguridad también impide que el sistema opera sin filtros, lo que permitiría que las impurezas contaminen la unidad interna..



ADVERTENCIA!

No deje fuera de circuito el enclavamiento de seguridad. Dejar fuera de circuito el enclavamiento de seguridad podría provocar lesiones a personas..

5.4. Procedimiento de Cambio de Filtro:

1. Apague la unidad.
2. Desconecte el cable de energía.
3. Libere la tapa de filtro (ver ilustración a la derecha).
4. Retire la tapa de filtro.
5. Cambie los filtros. (Prefiltro/filtro principal). Asegúrese de que el filtro principal quede dentro de los pasadores de alineación para que el interruptor de bloqueo quede oprimido.
6. Vuelva a colocar la tapa de filtro y verifique un empalme adecuado en la caja inferior. Enganche ambos sujetadores en la tapa de filtro y haga presión hacia abajo cuidadosamente.

Precaución!

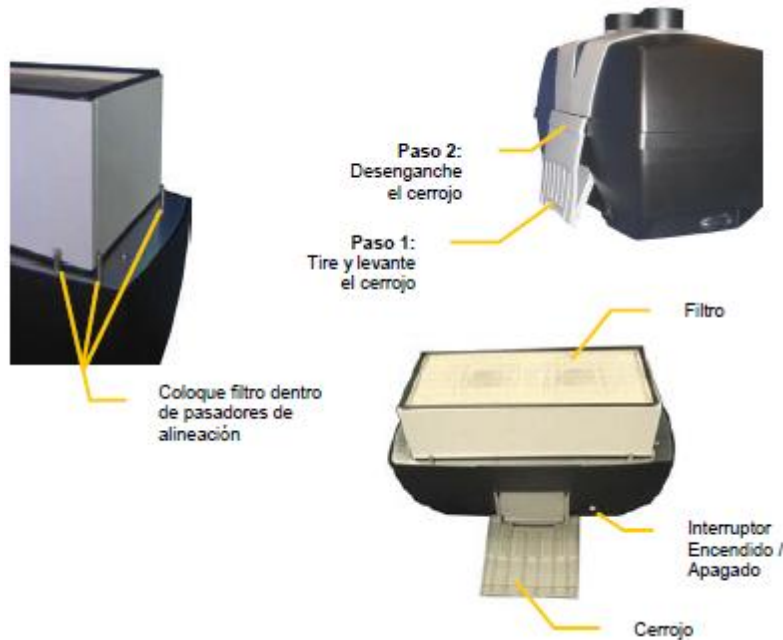
No recurra a la fuerza. Si los sujetadores no cierran, verifique que la tapa de filtro esté debidamente colocada sobre la caja inferior.



7. Vuelva a conectar el cable de energía y active el sistema.
8. Si la unidad no funciona, consulte la sección de solución de problemas prácticos.



Aviso: Use siempre filtros de repuesto nuevos!



5.5. Cómo Eliminar Filtros

El filtro de gas acumula ciertas materias orgánicas por lo que puede ser necesario eliminarlos con cuidado. El filtro puede contener materiales tóxicos. Es necesario evitar la inhalación de partículas de polvo o la exposición de la piel a las mismas. Sírvase consultar las Hojas MSDS para el material que se usa en su lugar de trabajo y siga las instrucciones de manejo recomendadas.

6. Solución de Problemas Prácticos

Problema	Causa Posible	Verificación y Corrección
Sin flujo de aire	No hay energía	Verifique el Interruptor de Encendido/Apagado Verifique tomacorriente Verifique cable de energía Verifique filtro Verifique interruptor de bloqueo de seguridad
Flujo de aire bajo	Fuga de aire	Verifique posibles fugas en manguera/brazo Verifique instalación adecuada de manguera/brazo Verifique que manguera/brazo no esté parcialmente atascado
Activación de la alarma audible	Alta temperatura ambiente	Consulte el procedimiento de calibración 6.1

La alarma de obstrucción de filtros del BVX-200 viene calibrada de fábrica a una temperatura específica y para la mayoría de los usuarios no será necesario ningún ajuste. Sin embargo, en climas más cálidos podría ser necesario ajustar el valor de temperatura del BVX-200 para evitar que se disparen falsas alarmas.

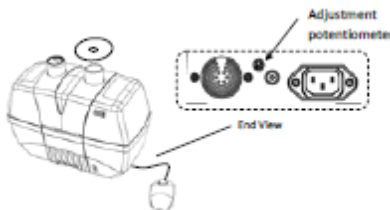
1. Arme el BVX-200 siguiendo las instrucciones de la Guía del Usuario Tanto la tecla remota como la tecla de alimentación principal deben estar en posición 'Off'.

2. Coloque la tecla de la unidad principal en posición 'On' y presione la tecla remota. La tecla remota LED se encenderá cuando hay suministro eléctrico. La unidad comenzará a funcionar y se escuchará el sonido de la alarma momentáneamente pero luego se apagará mientras el motor sigue funcionando. Deje funcionando el motor al menos 10 minutos para alcanzar la temperatura operativa normal.
3. Teniendo ya bloqueado un puerto de entrada, coloque una placa de bloqueo con un orificio de 6 mm de diámetro sobre la otra entrada de aire y escuche el tono de la alarma. Si se escucha, siga con el paso siguiente; si no, retire el tapón obturador de plástico y gire el potenciómetro en sentido contrario a las agujas del reloj hasta que se escuche el tono de la alarma.
4. Cambie el obturador de 6 mm de diámetro por uno de 15 mm de diámetro. Si la alarma sigue sonando, ajuste suavemente el potenciómetro girándolo con un destornillador en sentido de las agujas del reloj hasta que la alarma deje de escucharse. Una vez que logra el ajuste correcto, vuelva a colocar el tapón obturador..



Cómo hacer sus propias placas de bloqueo:

- Un CD normal tiene un orificio de 15 mm de diámetro en el medio.
- Para hacer un orificio de 6 mm aproximadamente, puede hacerlo con una perforadora de papel sobre una tarjeta rígida.



7. Números de Pieza

7.1. Unidades de Filtro

BVX-201	Unidad de Filtro para 2 Estaciones, Pre / HEPA / Gas
BVX-201-KIT	Unidad de filtro con brazos de 2 x 1,5 m, Pre / HEPA/ Gas
BVX-201-KIT1	Unidad de filtro con brazos de 2 x 0,75 m, ménsula de banco y manguera de conexión de 1,8 m, Pre / HEPA/ Gas
BVX-203	Unidad de Filtro para 2 Estaciones, Pre / Gas de Lecho Profundo

7.2. Filtros de Repuesto

	Modelo BVX-201	Modelo BVX-203
FP-BVX200 , Prefiltro (Paquete de 5)	sí	sí
FG-BVX200 , Filtro de Gas de Lecho Profundo	no	sí
Filtro Principal FM-BVX200 , HEPA 99,97% / Carbón	sí	no

7.3. Juegos y Accesorios Opcionales

BVX-ARM-K1	Juego que comprende BVX-ARM, BVX-CH01, BVX-TB01
BVX-ARML	Brazo de Escape, flexible, 1500 mm (59") x 50 mm (2"), Seguro ESD
BVX-ARM	Brazo de Escape, flexible, 750mm (29,5") x 50 mm (2"), Seguro ESD.
BVX-TB01	Ménsula de mesa con 2 Sujetadores en C
BVX-CH01	Manguera de Conexión, 1800 mm (6') x 50 mm (2")
BVX-CH02	Manguera de Conexión, 3600 mm (12') x 50 mm (2")

8. **GARANTÍA**

Sírvase visitar la página web de Metcal (www.metcal.com) donde encontrará información sobre sistemas, accesorios, notas técnicas y más. Asimismo, puede ponerse en contacto con su.

Metcal garantiza los productos BVX-200 Series contra defectos de materiales o mano de obra por un (1) año a partir de la fecha de compra por parte del propietario original. Esta Garantía excluye mantenimiento normal y no cubre artículos abiertos, mal usados, abusados, alterados o dañados. Si el producto presentara defectos durante el período de garantía, Metcal lo reparará o reemplazará sin cargo alguno, a su opción exclusiva. El artículo reparado o repuesto (o los artículos reparados o repuestos) se enviará(n) con flete prepago al comprador original. El período de garantía comenzará en la fecha de compra. Si la fecha de compra no pudiera ser probada, se usará la fecha de manufactura como inicio del período de garantía.

Para la reparación o devolución de una unidad, es necesario obtener un Número de Autorización de Devolución de Material (RMA #).

操作手册和用户指南

BVX-200 烟雾净化系统采用高品质的设计和制造标准。在工作环境中保护操作者人体健康，有效防止有害气体对人体造成的伤害，购买BVX-200 烟雾净化系统是明智的选择。我们感谢您的信任同时承诺提供高水平的技术支持和售后服务。

本手册包括系统安装、操作和维护指南。请在使用前阅读，以优化操作过程和确保操作者安全。

1. 请遵守以下要求	
1.1. 重点强调	47
1.2. 安全提示	47
1.3. 打开包装与检查	47
1.4. 随机配置	48
1.5. 性能特点	48
1.6. 使用方法	48
2. 介绍	49
3. 技术参数	49
4. 安装	49
5. 维护与清洁	50
6. 常见故障分析	52
7. 备品备件	53
8. 品质保证	53

1. 请遵守以下要求

1.1. 重点强调



警告!

请遵守安全操作规和和安全测试条件，以确保操作者和其他人员的人身安全。



警告!

明确什么可做、什么不可做，以保证系统和其它财物不受损伤。



注意:

使用和调试过程中，请将操作手册放置在便于取阅的地方。

1.2. 安全提示



警告!

为了安全可靠地操作本系统，请在使用前仔细阅读本手册。由于操作者使用不当造成的 损失制造商不承担责任。保留此手册以备查阅。

警告!

如果用于可燃气体的净化请咨询贵公司安全部门。此系统为非防爆型，仅限使用于低 于爆炸极限浓度气 体的净化。**警告!**



不可使用此系统净化腐蚀性物质。

警告!

确保连接电缆远离热、油和尖利物体。



警告!

确保系统安放平稳可靠。

警告!

仅限使用原厂配备的过滤材料。



警告!

不可在无过滤材料情况下运行此系统，空气中的污染物将会损坏风机。

警告!

维护前切断电源。



警告!

保持排气出风口通畅。

警告!

不要同时封闭所有进气口。



例外: 封闭一个进气口用于单工位烟雾净化。

警告!

系统设置了过载自动保护功能，如发生过载，系统会在运行过程中自动重启。

警告!

遵守相关化学物质如黏合剂和密封剂使用的一般规则。遵守制造说明中材料安全数据表（MSDS）的相 关规则。



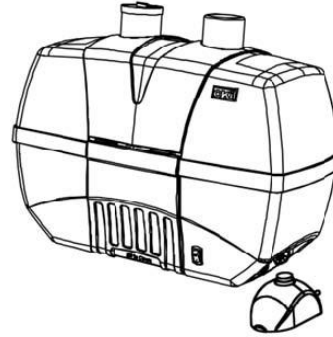
在保修条件下，系统只可有**OK** 国际集团授权许可的维修代理进行维修。

1.3. 打开包装与检查

小心拆开烟雾净化系统的包装箱并检查随机附件。检查系统在运输过程是否受到损伤，如有运输过程中损伤应立即通知承运人，货物运输受损必须由收货人对承运人提出，同时报告制造商。

1.4. 随机配置

- 1 烟雾净化系统（过滤材料已安装）
- 1 遥控开/关掣
- 1 电源线
- 1 操作手册



1.5. 性能特点

- 软启动开关系统
- 低噪音
- 大吸力和大流量设计
- 外形紧凑便携
- 可选的遥控制动/启动开关
- 过滤器警报指示灯
- HEPA 过滤效率可达99.97% (Model BVX-201)
- 填充型气体过滤器 (Model BVX-203)
- 可连接 50mm(2") 或 63mm(2.5") 软管或吸烟臂
- 防静电外壳
- UL 和 CSA, CE 认证

1.6. 使用方法

本系统为便携式双工位烟雾净化设备，用于净化工作环境内的烟雾、细小灰尘和蒸汽。根据订购型号的不同，过滤材料不同以适应不同净化对象。

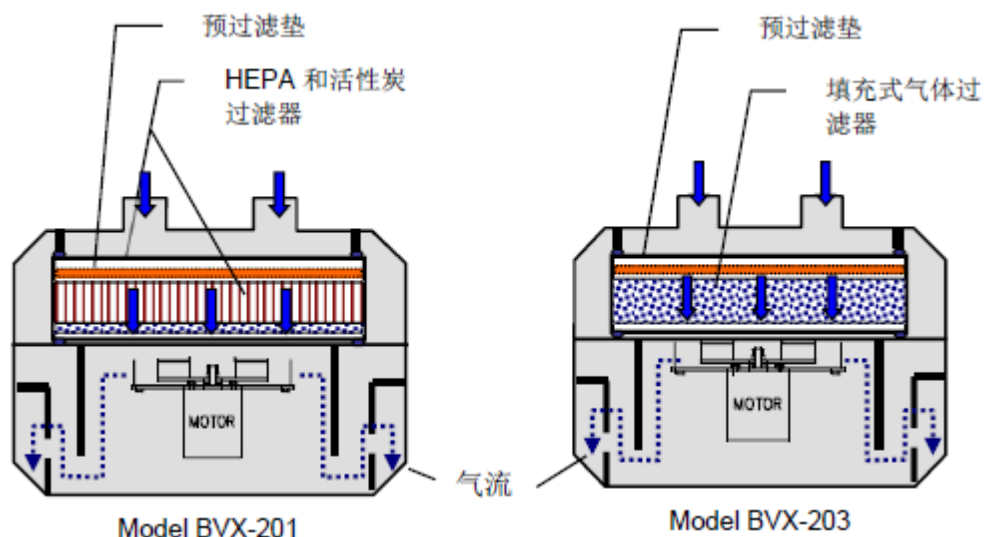
Model BVX-201 提供预过滤和主过滤器。主过滤是个合成过滤器，包括一个 HEPA 过滤器和一个活性炭过滤器，对0.3 微米以上的颗粒的过滤率为99.95%。此型号主要用于手工焊接产生的烟雾和小型锡锅等的烟雾净化。

Model BVX-203 提供预过滤和填充式气体过滤（活性炭）。此型号主要用于各种溶剂清洗和表面涂敷等气体的净化。



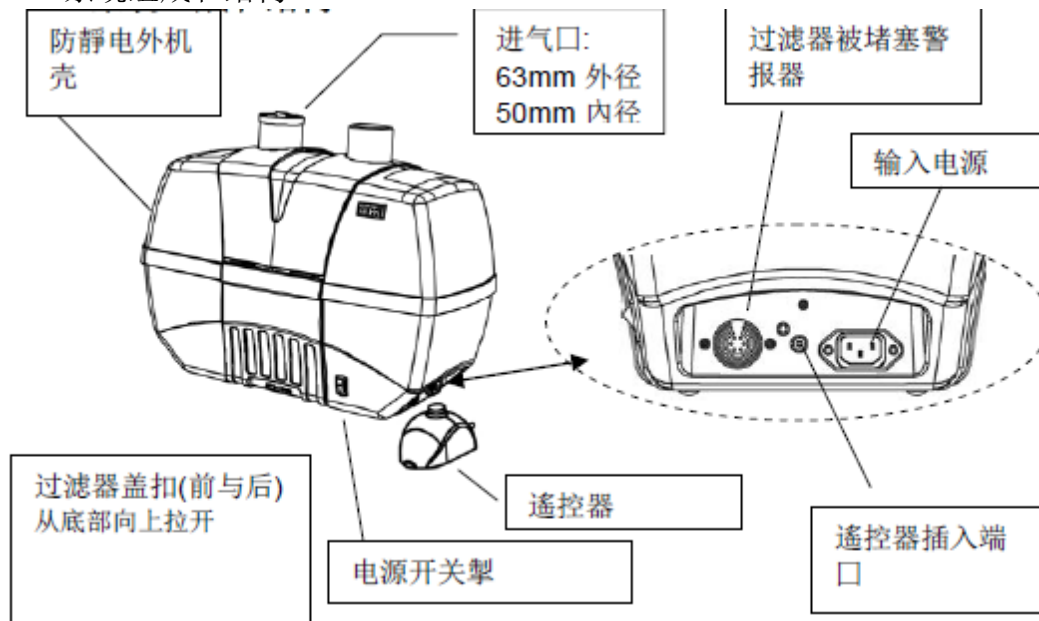
警告!

如果用于可燃气体净化请参考贵公司安全部门意见。此系统为非防爆型，仅限于使用于低于爆炸极限浓度气体的净化。



2. 介绍

2.1. 系统组成和结构



2.2. 运行原理

在工作区域内有效地消除有害气体分为两个步骤：烟雾的捕捉和过滤。此过滤系统出厂配置已安装一套过滤器。对于烟雾的捕捉，Metcal 推荐使用选配的吸烟臂和附件（需单独订购）。吸烟臂需要恰当的安装以保证吸烟嘴可达到最佳的烟雾捕捉位置（见吸烟臂说明）从工作区域吸取的空气在通过系统内部的过滤器时被净化，然后直接排放到工作区域内。联系 Metcal 的当地销售代表选择适合的过滤器型号。当过滤器被封堵时，会响起警报声。请参见 5.4 过滤器更换步骤。

3. 技术参数

涡轮最大流速（无阻尼时）	250 立方米/小时 (150cfm)
额定流速（含过滤器）	2 x 75 立方米/小时 (45cfm)
静压力	850 Pa (3.5"WC)
噪音	< 55 分贝
电压	100 – 240 VAC, 单相
频率	50-60 Hz
电机功率	85 Watts
安全认证	UL, CSA, CE
外形尺寸 W/D/Hmm	508 x 254 x 388
外形尺寸 W/D/H in	20" x 10" x 15.3"
重量	20 lbs. / 9 kg

4. 安装

从包装中取出烟雾净化系统，放置在工作台下的地面上或需要烟雾净化的工作区域附近。并且还要为今后滤芯的更换留有余地。

连接电源，确保电源的地线完好。



警告!

为防止操作者触电，务必使用带有正确接地的插座。

在每个安装口上安装吸烟臂（选件），按下系统右下位置处的电源开关启动系统。操作者在感到涡轮转动前有几秒钟的延时，这是电机设计的“软启动”功能。

将吸烟臂放置在烟雾捕捉的最佳位置。

维护过程如下。

5. 维护和清洁

5.1. 过滤器 —维护与安全

烟雾净化系统为低维护系统，其外壳为防静电塑料。以下是确保系统以最佳状态运行的几点注意事项：

用软布和中性的清洗剂进行清洗，防止烟雾微粒和助焊剂残留物的积聚和堵塞（清洁时必须关断电源）。



不要堵塞出气口，否则会引起系统温度升高，可能会对系统造成损害降低性能。



不要损坏安全开关，避免无过滤器运行系统。否则微粒和助焊剂的残留物将会附着在涡轮上减少涡轮的使用寿命，增大系统的噪音。

不要在系统运行中搬动



注意小心搬放过滤器。

5.2. 过滤器更换周期

Model BVX-201

当烟雾经过过滤器时，随着工作时间的增加，被捕捉到的微粒会堵塞过滤器。大的微粒留在预过滤中，细小的微粒则被吸附在HEPA 过滤器中，过滤器的堵塞将会使空气流量减小，使烟雾的净化效能降低。这时仍可能不需要更换过滤器，首先可以将吸烟臂尽可能地靠近需要过滤烟雾的位置，如果烟雾的吸取始终不能达到之前的满意水平，再去更换过滤器。当过滤器被封堵时，会响起警报声。请参见5.4 过滤器更换步骤。先更换预过滤。如果还不能有效增大空气流量，就需要更换主过滤器（HEPA/活性炭）。



警告!

不要清洁过滤器。这样不仅会造成过滤器的损坏，而且对设备和人体都会有危险的隐患。



注意：Metcal 推荐过滤器至少每年更换一次。定期更换预过滤器可以延长主过滤器的寿命（HEPA/活性炭）。请使用原厂生产的过滤器。

Model BVX-203

此型号采用填充式气体过滤器，不会象HEPA 过滤器那样因堵塞造成空气流量减小。当过滤后气味仍很明显时，需同时更换预过滤和活性炭过滤器。



注意：至少每 6 个月更换一次过滤器，因为多数气体过滤介质会由于吸收周围环境中的潮中的潮气而达到饱和。请使用原厂生产的过滤器。

5.3. 安全保护装置

安全开关是个互锁装置。其作用是在系统没有安装主过滤器，而涡轮进口直接暴露在吸烟口处时关断涡轮电源。此安全装置可以防止系统无过滤器运行造成系统内部污染。



**警告!**

不要旁路安全互锁，否则会对人体造成伤害。

5.4. 过滤器更换步骤:

1. 关断电源开关.
2. 拔下电源线.
3. 松开过滤器盖锁扣（见右图）.
4. 拿掉过滤器盖.
5. 更换过滤器。（预过滤/主过滤器）。确认主过滤器置于定位销的内侧，以保证安全开关被压下.
6. 盖上过滤器盖，轻轻向下压过滤器盖，同时锁好两个锁扣.

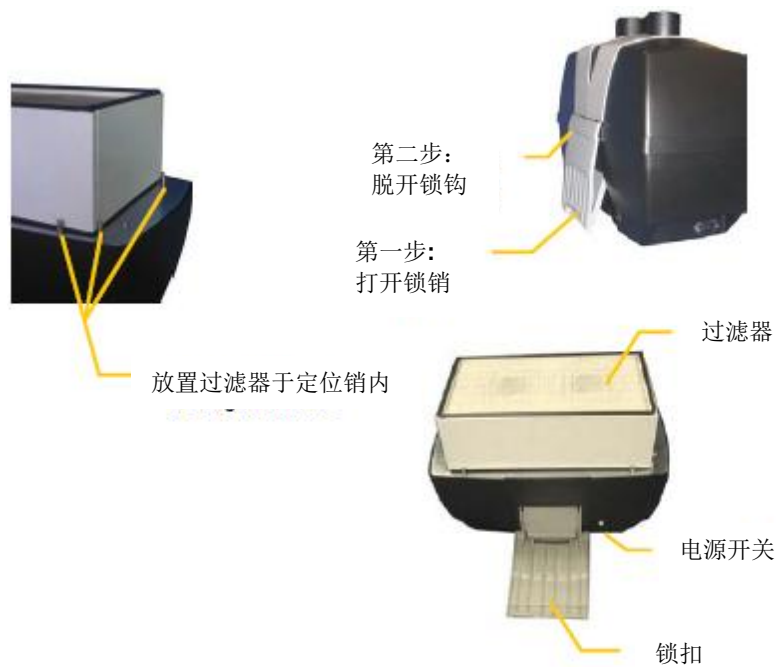
**注意!**

不要过分用力，如果锁扣不能锁住，请检查过滤器盖是否与底座盖好.

7. 连接好电源，打开电源开关.
8. 如果系统不能正常运行，参见常见故障分析章节.



注意: 始终使用新的过滤器更换!

**5.5. 过滤器的处理**

气体过滤器吸附了一些有机物质需要小心处理。过滤器可能包含了有毒物质，应避免吸入或接触到皮肤上。请根据净化的物质的MSDS 数据表的指示进行处理。

6. 故障分析

现象	可能原因	检查和调整
没有气流	无电源	检查电源开关 检查电源插座 检查电源线 检查过滤器 检查安全开关
气流小	漏气	检查连接管/吸烟臂漏气 检查连接管/吸烟臂安装是否正常 检查连接管/吸烟臂局部堵塞
警报器鸣响	环境温度过高	请参阅 6.1 部分的校准步骤

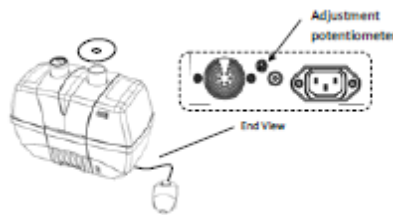
BVX-200 过滤器警报器按特定的温度设置经过工厂校准，对多数使用者而言，不需要进行调节。但处于高温气候条件下时，使用者可能需要调整 BVX-200 的温度设置以防发出错误警报。

1. 按用户指南组装 BVX-200。遥控开关和主电源开关应处于“关闭”位置。
2. 打开主机开关并按遥控开关。电源接通后，遥控开关 LED 指示灯将点亮。设备将开始运行，并且您将立刻听到警报声，但随着电机的继续运转，警报声会停止。让电机运转至少 10 分钟以便达到正常的工作温度。
3. 封堵进气口的一端，然后在进气口的另一端上放置有一个直径 6mm 小孔的挡板，然后注意听警报声。如果听到警报声，请进入下一步骤；如果没有听到，则取下塑料空插头并朝逆时针方向旋转电位计，直至可以听到警报声。
4. 将带直径 6mm 小孔的挡板更换为带直径 15mm 小孔的挡板。如果仍听到警报声响起，沿顺时针方向轻轻旋转螺丝刀调节电位计，直至听不到警报声。如果已经设置妥当，重新安上空插头。



自己制作挡板:

- 中心处有一个直径为 15mm 小孔的普通 CD 光碟。
- 可以使用纸张穿孔器在硬卡纸上穿出大约 6mm 的小孔。



7. 备品备件

7.1. 过滤系统

BVX-201	2 工位过滤系统, 预过滤/HEPA/气体过滤
BVX-201-KIT	2 x 1.5m 双臂过滤系统, 预过滤/HEPA/气体过滤
BVX-201-KIT1	2 x .75m 双臂过滤系统, 配有台式托架和 1.8m 连接管, 预过滤/HEPA/气体过滤
BVX-203	2 工位过滤系统, 预过滤/填充式气体过滤

7.2. 可更换过滤器

	Model BVX-201	Model BVX-203
FP-BVX200 , 预过滤 (5 片/包)	yes	yes
FG-BVX200 , 填充式气体过滤	no	yes
FM-BVX200 主过滤, HEPA 99.97% / 活性炭	yes	no

7.3. 选件包和附件

BVX-ARM-K1	BVX-ARM, BVX-CH01, BVX-TB01
BVX-ARML	柔性吸烟臂, 1500mm (59") x 50mm (2"), 防静电
BVX-ARM	柔性吸烟臂, 750mm (29.5") x 50mm (2"), 防静电.
BVX-TB01	桌面固定夹 (含2 个C 型夹)
BVX-CH01	连接软管, 1800mm (6') x 50mm (2")
BVX-CH02	连接软管, 3600mm (12') x 50mm (2")

8. WARRANTY

有关产品系统、附件和技术指标等更多信息请登陆Metcal产品网页 (www.metcal.com)。也可以联系当地的销售代表进行价格咨询。

Metcal对BVX-200系列的品质保证期为自出厂之日起一年内。保修不包括正常维护和自行打开、误操作人为改动和损坏等, 保修期内如产品出现不正常运行, Metcal将负责免费修理或更换。修理或更换的部分将有Metcal集团承担运费提供给第一购买者, 保修期自购买之日算起, 如购买日不能确认, 则以生产制造日期为准计算保修期。

维修或退回的产品需取得退回原料许可号 (RMA#)。