

## har-modular P module male straight



Image is for illustration purposes only. Please refer to product description.

|                    |   |
|--------------------|---|
| Part number        | 02 53 900 0002  |
| Specification      | har-modular P module male straight  |
| HARTING eCatalogue | <a href="https://b2b.harting.com/02539000002">https://b2b.harting.com/02539000002</a> |

### Identification

|                            |                      |
|----------------------------|----------------------|
| Category                   | Connectors           |
| Series                     | har-modular®         |
| Identification             | P module<br>P spacer |
| Element                    | Male connector       |
| Description of the contact | Straight             |

### Version

|                     |           |
|---------------------|-----------|
| Width of the module | 5.08 mm   |
| Connection type     | Mezzanine |

### Technical characteristics

|                                  |                                    |
|----------------------------------|------------------------------------|
| Insulation resistance            | $>10^{11} \Omega$                  |
| Limiting temperature             | -55 ... +125 °C                    |
| Mating cycles                    | $\geq 500$                         |
| Isolation group                  | I ( $600 \leq CTI$ )               |
| Hot plugging                     | No                                 |
| Moisture Sensitivity Level (MSL) | 1 acc. to ECA/IPC/JEDEC J-STD-020D |

### Material properties

|   |                |
|---|----------------|
| Material (insert)                         | Polyamide (PA) |
| Colour (insert)                           | Black          |
| Material flammability class acc. to UL 94 | V-0            |



Pushing Performance

## Material properties

|                                      |               |
|--------------------------------------|---------------|
| RoHS                                 | compliant     |
| ELV status                           | compliant     |
| China RoHS                           | e             |
| REACH Annex XVII substances          | Not contained |
| REACH ANNEX XIV substances           | Not contained |
| REACH SVHC substances                | Not contained |
| California Proposition 65 substances | Not contained |

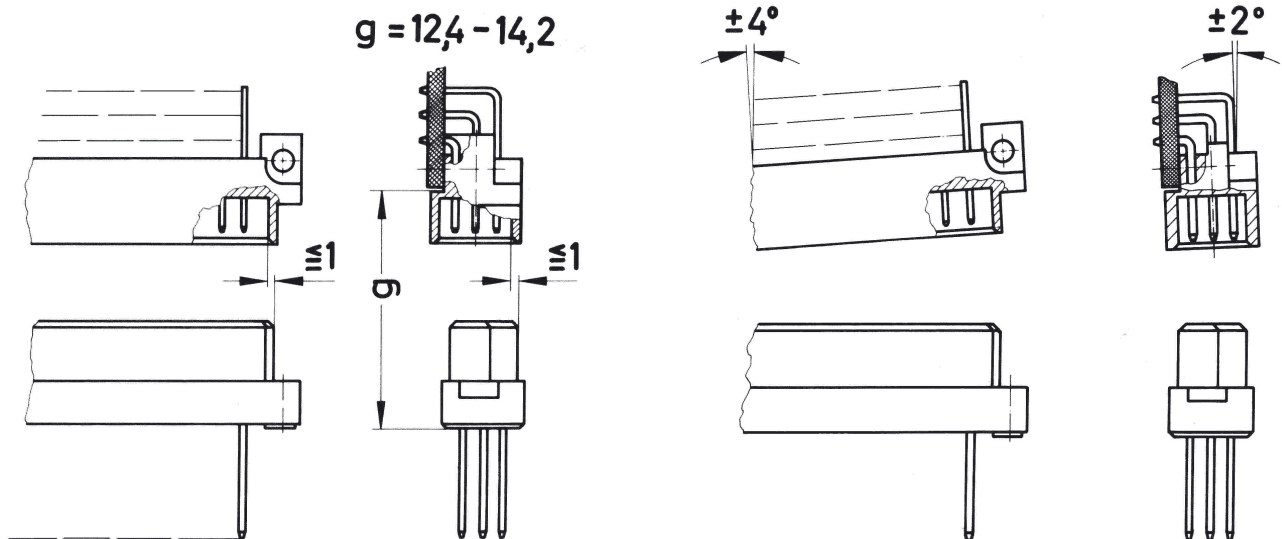
## Specifications and approvals

|                        |  |
|------------------------|--|
| UL / CSA               | UL 1977 ECBT2.E102079<br>CSA-C22.2 No. 182.3 ECBT8.E102079 |
| Railway classification | F1/I2 acc. to NFF 16-101/102                               |

## Commercial data

|                                |  |
|--------------------------------|--|
| Packaging size                 | 20                                       |
| Net weight                     | 0.7 g                                    |
| Country of origin              | Romania                                  |
| European customs tariff number | 85389099                                 |
| eCl@ss                         | 27460201 PCB connector (board connector) |

### Mating conditions



To ensure reliable connections and prevent unnecessary damage, please refer to the application data diagrams. These recommendations are set out in IEC 60603-2. The connectors should not be coupled and decoupled under electrical load.