

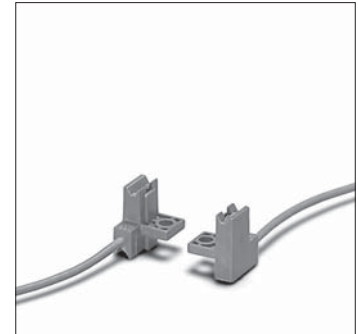
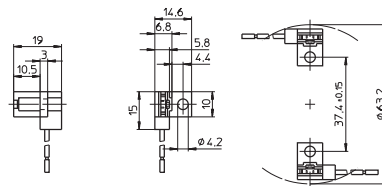
G53 Lamp Connectors

For low-voltage halogen incandescent lamps

G53 lamp connector
 Casing: PPS, black
 Nominal rating: 10/24
 Contacts: CuNiZn
 Lead: Cu tinned, stranded conductors 0.75 mm²,
 Si-insulation, length: 140 mm

Fixing hole for screw M4
 Lead exit: lateral
 Weight: 4.4 g, unit: 1000 pcs.
 Type: 33100

Ref. No.: 107694



B15d, BA15d Lampholders

For low-voltage and mains voltage halogen incandescent lamps

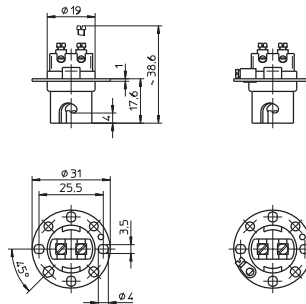
One-piece contact pins with screw terminals
 to reduce voltage drop.
 When using lampholders without cap it has to
 be ensured protection from electric shock as well
 as sufficient creepage distances and clearances
 from live parts on the back of lampholders.

B15d, BA15d lampholders
 Casing with fixing flange: zinc-coated polished steel
 Insert: ceramic, T230
 Nominal rating: 8/250
 Fixing holes for screws M3
 Weight: 15/16 g, unit: 500 pcs.
 Type: 78100

Ref. No.: 102923

Type: 78101 with earth terminal

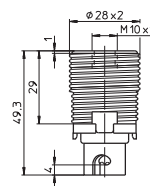
Ref. No.: 102925



B15d, BA15d lampholder
 Casing: zinc-coated polished steel
 Insert: ceramic, T230, nominal rating: 8/250
 With earth terminal
 Cover cap: PBT GF, max. 180 °C
 External thread 28x2 IEC 60399
 For E14 metal screw rings
 Weight: 17/11.5 g, unit: 500 pcs.
 Type: 78201

Ref. No.: 106513 insert

Ref. No.: 106583 cap M10x1



1

2

3

4

5

6

7

8

9

10