

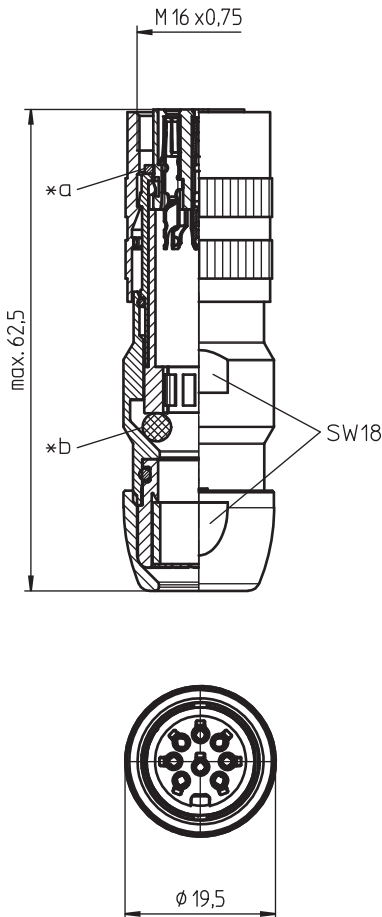
03 032200

Circular connectors with threaded joint M16 acc. to IEC 61076-2-106, IP40/IP67/IP68



Next Generation – Socket acc. to AISG specification and IEC 61076-2-106, IP68, with threaded joint, vibration protection and solder terminals, 360° shielded, optimized assembly

03 032200



Environmental conditions

Temperature range -40 °C/+85 °C

Materials

Insulating body	PA GF, V-0 according to UL94
Contact bush	CuZn, silver-plated and flash gold-plated
Schirmfeder	stainless steel
Insulating sleeve	PA, V-0 according to UL94
Clamp	PA, V-0 according to UL94
Housing	CuZn, nickel-plated/Zn diecast, pre-copper and nickel-plated
Knurled nut	CuZn, nickel-plated
Seal	CR (flat), EPDM (O-ring)

Mechanical data

Insertion force/contact	≤ 5.0 N ¹
Withdrawal force/contact	≥ 1.2 N (3-8 poles) ≥ 0.9 N (12-14 poles) ¹
Tightening torque connector	1-3 Nm
Tightening torque nut	1-3 Nm
Protection class	IP68 ²

¹ measured with a polished steel pin, nominal thickness 1.5 mm

² according to IEC DIN EN 60529, only in locked condition with an appropriate counterpart; IPX8 requirements under agreement between manufacturer and user

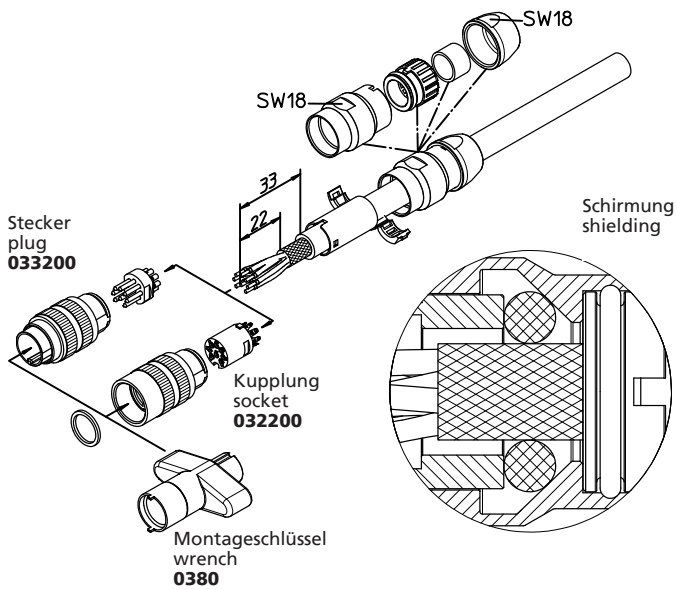
Connectable conductors for solder area

Section	≤ 0.75 mm ² (AWG 20)
Cable diameter	4-10 mm

Electrical data (at T_{amb} 20 °C)

Contact resistance	≤ 5 mΩ
Rated current	5 A (T _{amb} 40 °C)
Rated voltage	100 V (with pollution degree 1) 32 V (with pollution degree 2)
Rated impulse voltage	500 V
Material group	II (IEC)/I (UL) (CTI ≥ 550)
Overvoltage category	I
Insulation resistance	> 100 MΩ

03 032200



Associated products

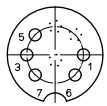
Counterparts

☑ 0304-2	☑ 0314	☑ 0314-1
☑ 0314-2	☑ 0315	☑ 0315-1
☑ 0315-1 U	☑ 0315-2	☑ 0316
☑ 0316-1	☑ 0316-2	☑ 0317
☑ 0317-1	☑ 031798-1	☑ 031798-2
☑ 031799-2	☑ 0318	☑ 0318-1
☑ 0318-2	☑ 0331	☑ 0332
☑ 0332-1	☑ 033200	☑ 036000
☑ 0365	☑ 036500	

Accessories

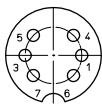
☑ 0322 C 16	☑ 0381	☑ 038199
☑ 038799		

Pin configurations, solder side view

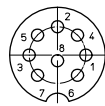


*c

032200 05-3



-



08-a

032200 08-1

*a flat gasket

*b shielding connection

*c pin configuration according to AISG C485

03 032200

Designation	Pole Number	PU (Pieces)	MDQ (Pieces)
032200 05-3	5	50	100
032200 08-1	8	50	100

Packaging:

sets of individual parts, partly pre-assembled, in plastic bags, in a cardboard box