

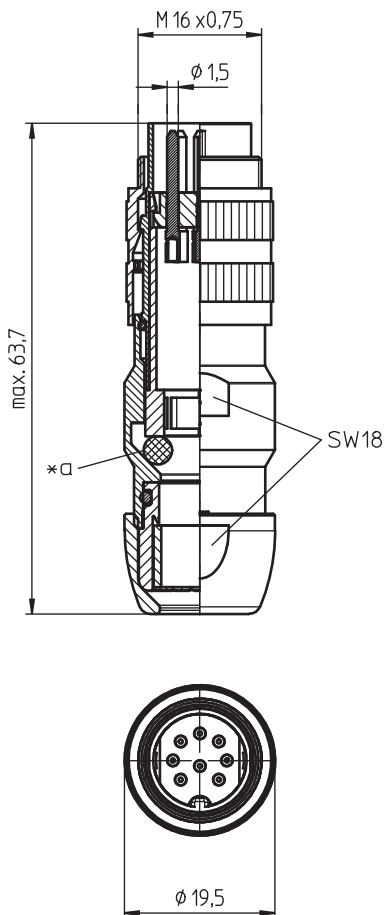
03 033200

Circular connectors with threaded joint M16 acc. to IEC 61076-2-106, IP40/IP67/IP68



Next Generation – Plug acc. to AISG specification and IEC 61076-2-106, IP68, with threaded joint, vibration protection and solder terminals, 360° shielded, optimized assembly

03 033200



#### Environmental conditions

Temperature range -40 °C/+85 °C

#### Materials

Insulating body	PA GF, V-0 according to UL94
Contact pin	CuZn, silver-plated and flash gold-plated
Schirmfeder	stainless steel
Insulating sleeve	PA, V-0 according to UL94
Clamp	PA, V-0 according to UL94
Housing	CuZn, nickel-plated/Zn diecast, pre-copper and nickel-plated
Knurled screw	CuZn, nickel-plated
Seal	CR (flat), EPDM (O-ring)

#### Mechanical data

Tightening torque connector	1-3 Nm
Tightening torque nut	1-3 Nm
Protection class	IP68 <sup>1</sup>

<sup>1</sup> according to IEC DIN EN 60529, only in locked condition with an appropriate counterpart; IPX8 requirements under agreement between manufacturer and user

#### Connectable conductors for solder area

Section	≤ 0.75 mm <sup>2</sup> (AWG 20)
Cable diameter	4-10 mm

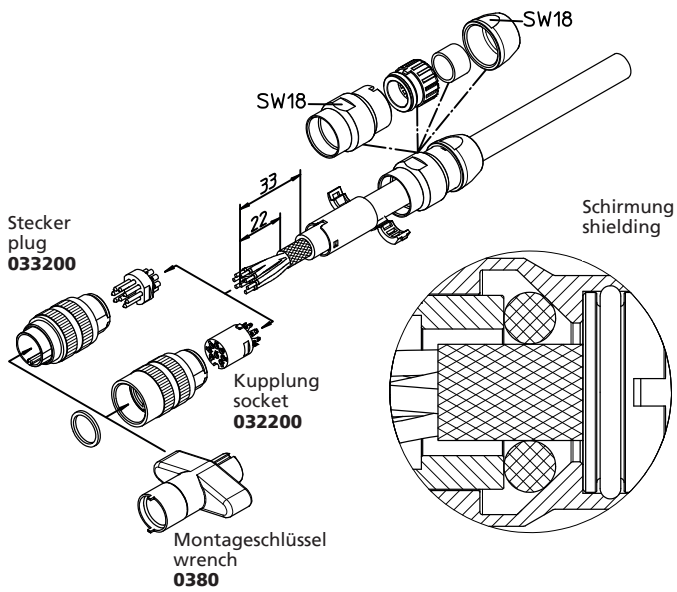
#### Electrical data (at T<sub>amb</sub> 20 °C)

Rated current	5 A (T <sub>amb</sub> 40 °C)
Rated voltage	100 V (with pollution degree 1) 32 V (with pollution degree 2)
Rated impulse voltage	500 V
Material group	II (IEC)/1 (UL) (CTI ≥ 550)
Overvoltage category	I
Insulation resistance	> 100 MΩ

#### Associated products

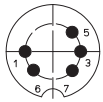
Counterparts		
☞ 0304	☞ 0304-1	☞ 0304-2
☞ 0305	☞ 0305-1	☞ 0305-1 U
☞ 0305-2	☞ 0306	☞ 0306-1
☞ 0306-2	☞ 0307	☞ 0307-1
☞ 0307-2	☞ 030798-1	☞ 030798-2

**03 033200**



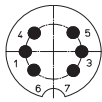
☞ 030799-2	☞ 0308	☞ 0308-1
☞ 0308-2	☞ 0321	☞ 0322
☞ 0322-1	☞ 032200	☞ 0360
☞ 036000	☞ 0362	☞ 036297
☞ 0363		
Accessories		
☞ 0383	☞ 038399	☞ 038899

Pin configurations, solder side view



\*b

033200 05-3



08-a

033200 08-1

\*a shielding connection

\*b pin configuration according to AISG C485

03

033200

Designation	Pole Number	PU (Pieces)	MDQ (Pieces)
033200 05-3	5	50	100
033200 08-1	8	50	100

**Packaging:**

sets of individual parts, partly pre-assembled, in plastic bags, in a cardboard box