
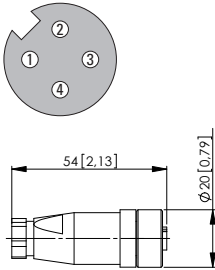

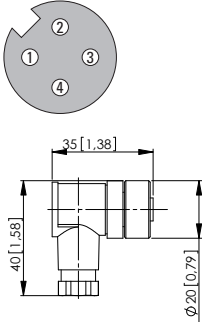

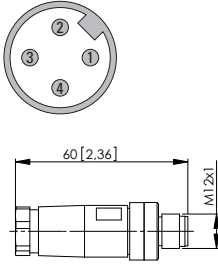

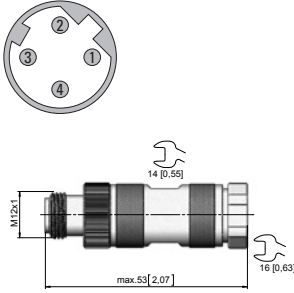

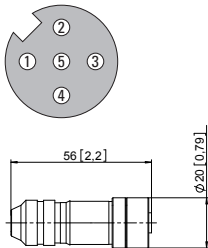

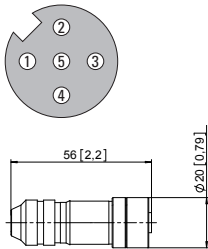

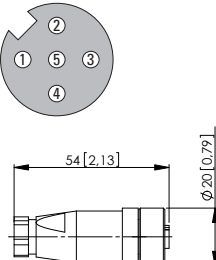

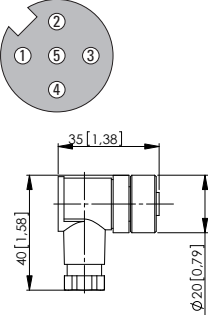


Connection technology


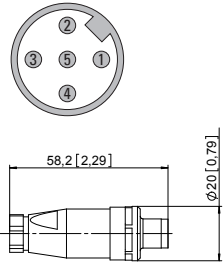

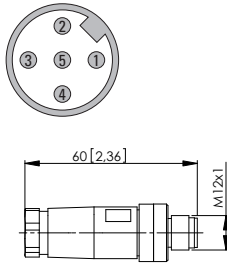

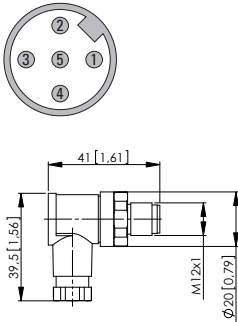
M12 connection technology		Connectors, self-assembly		Order no.
4 pin				
<p>Female connector with coupling nut A coded, straight power supply</p> <p>Housing: plastic, IP67</p> 	<p>screw connections, for cable \varnothing 4 ... 6 mm [0.16 ... 0.24"]</p> 	<p>suitable for our series:</p> <p>EMIO.SIO.10xP</p> <p>F5858 / F5878 F5868 / F5888 5858 / 5878 5868 / 5888 9080</p>	<p>05.B8141-0</p>	
<p>Female connector with coupling nut A coded, right-angle power supply</p> <p>Housing: plastic, IP67</p> 	<p>screw connections, for cable \varnothing 4 ... 6 mm [0.16 ... 0.24"]</p> 	<p>suitable for our series:</p> <p>EMIO.SIO.10xP</p> <p>5858 / 5878 5868 / 5888 9080</p>	<p>05.B8241-0</p>	
<p>Male connector with external thread A coded, straight power supply</p> <p>Housing: metal / plastic, IP67</p> 	<p>screw connections, for cable \varnothing 4 ... 6 mm [0.16 ... 0.24"]</p> 	<p>suitable for:</p> <p>versions with cable outlet</p>	<p>05.BS8141-0</p>	
<p>Male connector with external thread D coded, straight</p> <p>Housing: metal, IP67</p> 	<p>screw connections, for cable \varnothing 4 ... 9 mm [0.16 ... 0.35"]</p> 	<p>suitable for our series:</p> <p>F5858 / F5878 F5868 / F5888 5858 / 5878 5868 / 5888</p> <p>EtherCAT Conformance tested</p> <p>PROFINET</p> <p>EtherNet/IP</p>	<p>05.WASCSY4S</p>	

Connection technology

M12 connection technology Connectors, self-assembly


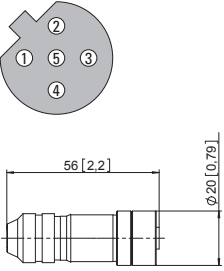


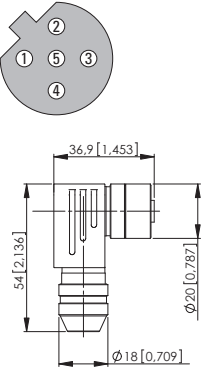


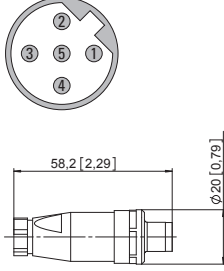


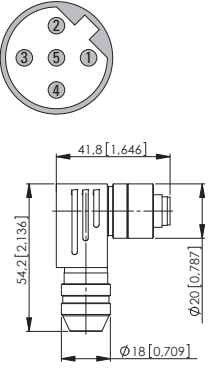

5 pin		Order no.															
<p>Female connector with coupling nut A coded, straight</p> <p>Housing: metal, IP67</p> 	<p>screw connections, for cable \varnothing 6 ... 8 mm [0.24 ... 0.32"]</p> 	<p>suitable for our series:</p> <p>A50, B80, C120, D135 IS40, IS60, IN88</p> <table border="0"> <tr> <td>3651 / 3671</td> <td>M3658 / M3678</td> </tr> <tr> <td>F3658 / F3658</td> <td>5858 / 5878</td> </tr> <tr> <td>M3661 / M3681</td> <td>M3661R</td> </tr> <tr> <td>M3668 / M3688</td> <td>M3668R</td> </tr> <tr> <td>F3668 / F3688</td> <td>F5868 / F5888</td> </tr> <tr> <td>M5861</td> <td>M5868</td> </tr> <tr> <td>5868 / 5888</td> <td>9080</td> </tr> </table> <p>CANopen DeviceNet</p>	3651 / 3671	M3658 / M3678	F3658 / F3658	5858 / 5878	M3661 / M3681	M3661R	M3668 / M3688	M3668R	F3668 / F3688	F5868 / F5888	M5861	M5868	5868 / 5888	9080	<p>8.0000.5116.0000</p>
3651 / 3671	M3658 / M3678																
F3658 / F3658	5858 / 5878																
M3661 / M3681	M3661R																
M3668 / M3688	M3668R																
F3668 / F3688	F5868 / F5888																
M5861	M5868																
5868 / 5888	9080																
<p>Female connector with coupling nut A coded, straight</p> <p>Housing: metal, IP67</p> 	<p>screw connections, for cable \varnothing 6 ... 9 mm [0.24 ... 0.35"]</p> 	<p>suitable for our series:</p> <p>ATEX zone 2/22 encoders</p> <p>Ex 2/22</p>	<p>8.0000.5116.0000.Ex</p>														
<p>Female connector with coupling nut A coded, straight</p> <p>Housing: plastic, IP67</p> 	<p>screw connections, for cable \varnothing 6 ... 8 mm [0.24 ... 0.32"]</p> 	<p>suitable for our series:</p> <p>A50, B80, C120, D135, IS40, IS60, IN88</p> <p>3651 / 3671 9080</p> <p>DeviceNet</p>	<p>05.B-8151-0/9</p>														
<p>Female connector with coupling nut A coded, right-angle</p> <p>Housing: plastic, IP67</p> 	<p>screw connections, for cable \varnothing 6 ... 8 mm [0.24 ... 0.32"]</p> 	<p>suitable for our series:</p> <p>A50, B80, C120, D135 IS40, IS60, IN88</p> <p>3651 / 3671 9080</p> <p>DeviceNet</p>	<p>05.B-8251-0/9</p>														

Connection technology


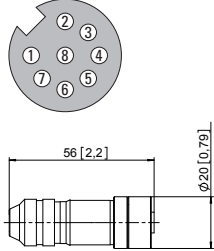

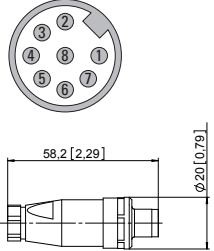

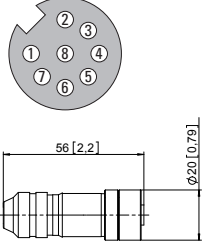


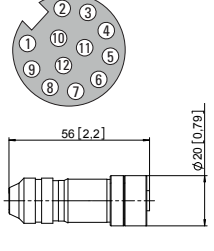
M12 connection technology		Connectors, self-assembly		Order no.												
5 pin																
<p>Male connector with external thread A coded, straight</p> <p>Housing: metal, IP67</p> 	<p>screw connections, for cable \varnothing 6 ... 8 mm [0.24 ... 0.32"]</p> 	<p>suitable for our series:</p> <table border="0"> <tr> <td>F3658 / F3658</td> <td>F3668 / F3688</td> </tr> <tr> <td>M3658 / M3678</td> <td>M3668 / M3688</td> </tr> <tr> <td>M3668R / M3688R</td> <td>F5868 / F5888</td> </tr> <tr> <td>5858 / 5878</td> <td>5868 / 5888</td> </tr> <tr> <td>9080</td> <td></td> </tr> <tr> <td>IS60</td> <td></td> </tr> </table> <p>CANopen DeviceNet</p>	F3658 / F3658	F3668 / F3688	M3658 / M3678	M3668 / M3688	M3668R / M3688R	F5868 / F5888	5858 / 5878	5868 / 5888	9080		IS60		<p>8.0000.5111.0000</p>	
F3658 / F3658	F3668 / F3688															
M3658 / M3678	M3668 / M3688															
M3668R / M3688R	F5868 / F5888															
5858 / 5878	5868 / 5888															
9080																
IS60																
<p>Male connector with external thread A coded, straight</p> <p>Housing: metal / plastic, IP67</p> 	<p>screw connections, for cable \varnothing 6 ... 8 mm [0.24 ... 0.32"]</p> 	<p>suitable for our series:</p> <p>9080 IS60, IN88</p> <p>EMIO.SIO.10xP</p> <p>DeviceNet</p>	<p>05.BS-8151-0/9</p>													
<p>Male connector with external thread A coded, right-angle</p> <p>Housing: metal / plastic, IP67</p> 	<p>screw connections, for cable \varnothing 6 ... 8 mm [0.24 ... 0.32"]</p> 	<p>suitable for our series:</p> <p>9080 IS60, IN88</p> <p>DeviceNet</p>	<p>05.BS-8251-0/9</p>													

Connection technology

M12 connection technology Connectors, self-assembly



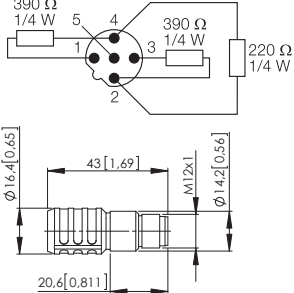


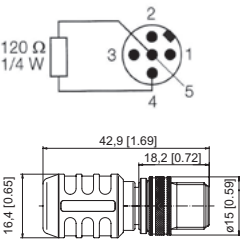


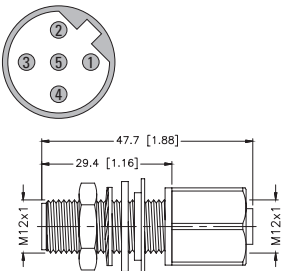


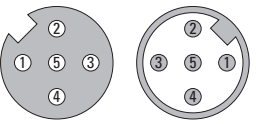

5 pin			Order no.
<p>Female connector with coupling nut B coded, straight</p> <p>Housing: metal, IP67</p> 	<p>screw connections, for cable \varnothing 4 ... 9 mm [0.16 ... 0.35"]</p> 	<p>suitable for our series:</p> <p>5858 / 5878 5868 / 5888 9080</p> 	<p>05.BMWS 8151-8.5</p>
<p>Female connector with coupling nut B coded, right-angle</p> <p>Housing: metal, IP67</p> 	<p>screw connections, for cable \varnothing 4 ... 9 mm [0.16 ... 0.35"]</p> 	<p>suitable for our series:</p> <p>5858 / 5878 5868 / 5888 9080</p> 	<p>05.BMWS 8251-8.5</p>
<p>Male connector with external thread B coded, straight</p> <p>Housing: metal, IP67</p> 	<p>screw connections, for cable \varnothing 4 ... 9 mm [0.16 ... 0.35"]</p> 	<p>suitable for our series:</p> <p>5858 / 5878 5868 / 5888 9080</p> 	<p>05.BMSWS 8151-8.5</p>
<p>Male connector with external thread B coded, right-angle</p> <p>Housing: metal, IP67</p> 	<p>screw connections, for cable \varnothing 4 ... 9 mm [0.16 ... 0.35"]</p> 	<p>suitable for our series:</p> <p>5858 / 5878 5868 / 5888 9080</p> 	<p>05.BMSWS 8251-8.5</p>

Connection technology

M12 connection technology			Connectors, self-assembly	Order no.
8 pin				
Female connector with coupling nut A coded, straight Housing: metal, IP67 	screw connections, for cable \varnothing 6 ... 8 mm [0.24 ... 0.32"] 	suitable for our series: 3610 / 3620 5814 / 5834 F3653 / F3673 5853 / 5873 F3663 / F3683 5863 / 5883 M3663 / M3683 58x4FSx M3663R F5883M M5863 5000 / 5020 5821 5006 / 5026 5876 KIS40 / KIH40 KIS50 / KIH50 A020 / A02H H120	05.CMB 8181-0	
Male connector with external thread A coded, straight Housing: metal, IP67 	screw connections, for cable \varnothing 6 ... 8 mm [0.24 ... 0.32"] 	suitable for: versions with cable outlet	05.CMBS 8181-0	
Female connector with coupling nut A coded, straight Housing: metal, IP67 	screw connections, for cable \varnothing 6 ... 9 mm [0.24 ... 0.35"] 	suitable for our series: ATEX zone 2/22 encoders 	8.0000.5136.0000.Ex	
12 pin				
Female connector with coupling nut A coded, straight Housing: metal, IP67 	screw connections, for cable \varnothing 6 ... 8 mm [0.24 ... 0.32"] 	suitable for: LA10	8.0000.5162.0000	

Connection technology

M12 connection technology Connectors, self-assembly

Accessories		Order no.	
<p>Securing clip for M12 connectors</p> <p>Material: plastic</p> 	<p>against accidental disconnection under load</p> <p>working temperature range -25°C ... +90°C [-13°F ... +194°F]</p>	<p>8.0000.5000.0006</p>	
<p>Terminating resistor Male connector with external thread B coded, straight</p> <p>Housing: metal / plastic, IP67</p> 		<p>suitable for our series:</p> <p>5858 / 5878 5868 / 5888 9080</p> 	<p>05.RSS4.5-PDP-TR</p>
<p>Terminating resistor Male connector with external thread A coded, straight</p> <p>Housing: metal / plastic, IP67</p> 		<p>suitable for our series:</p> <p>F5868 / F5888 5858 / 5878 5868 / 5888 9080</p> 	<p>05.RSE 57 TR2</p>
<p>M12 lead-through B coded, straight</p> <p>Housing: metal, IP67</p> 		<p>suitable for our series:</p> <p>5858 / 5878 5868 / 5888 9080</p> 	<p>05.FKW-FSW45/M12</p>
<p>T-junction A coded, 5 pin</p> <p>Housing: metal / plastic, IP67</p> 	<p>2 x female connector with coupling nut 1 x male connector with external thread</p> 	<p>suitable for:</p> <p>M12 connectors</p> 	<p>05.FKM5-FKM5-FSM5</p>

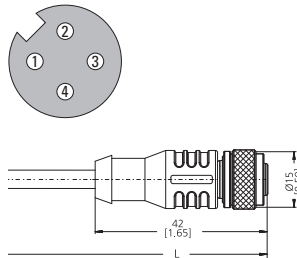
Connection technology

M12 connection technology Cordsets, pre-assembled

With connector, 4 pin Working temp. -30°C ... +80°C [-22°F ... +176°F] Order no.

Female connector with coupling nut + single-ended A coded, straight power supply

Cable: PUR, 4 x 0.34 mm² [AWG22]
Housing: metal / plastic, IP67



Terminal assignment

Pin female contacts:	1	2	3	4
Wire color:	BN	WH	BU	BK

suitable for our series:

EMIO.SIO.10xP

5858 / 5878 5868 / 5888
F5858 / F5878 F5868 / F5888
9080
H120

cable length ¹⁾

standard cable length 2 m [6.56']
(available from 1 piece) 5 m [16.40']
10 m [32.81']
15 m [49.21']

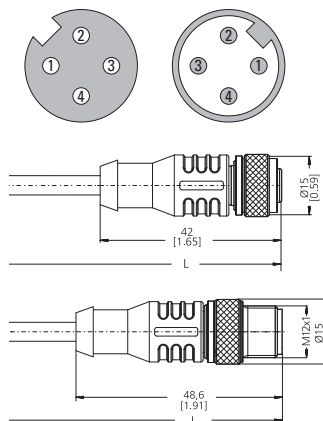
05.00.6061.6211.002M
05.00.6061.6211.005M
05.00.6061.6211.010M
05.00.6061.6211.015M

other cable lengths
(minimum order quantity 4 pieces)

05.00.6061.6211.0xxM
xx = length in meters:
1, 3, 8, 12, 20, 25, 30

Female connector with coupling nut + male connector with external thread A coded, straight power supply

Cable: PUR, 4 x 0.34 mm² [AWG22]
Housing: metal / plastic, IP67



suitable for our series:

EMIO.SIO.10xP

5858 / 5878 5868 / 5888
9080

cable length ¹⁾

standard cable length 2 m [6.56']
(available from 1 piece) 5 m [16.40']
10 m [32.81']
15 m [49.21']

05.00.6061.6462.002M
05.00.6061.6462.005M
05.00.6061.6462.010M
05.00.6061.6462.015M


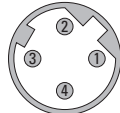
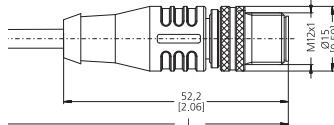
other cable lengths
(minimum order quantity 4 pieces)


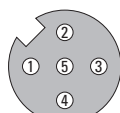
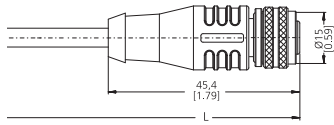
05.00.6061.6462.0xxM
xx = length in meters:
1, 3, 8, 12, 20, 25, 30

1) Other cable lengths on request.

Connection technology

M12 connection technology Cordsets, pre-assembled

With connector, 4 pin		Working temp. -30°C ... +80°C [-22°F ... +176°F]	Order no.									
<p>Male connector with external thread single-ended D coded, straight</p> <p>Cable: PUR, 2 x 2 x 0.34 mm² [AWG22] Housing: metal / plastic, IP67</p> 		<p>Port A (1) and B (2)</p>  	<p>suitable for our series:</p> <p>5858 / 5878 5868 / 5888 F5858 / F5878 F5868 / F5888</p> <p>EtherCAT Conformance tested</p> <p>PROFI NET</p> <p>EtherNet/IP</p>	<p><i>cable length</i>¹⁾</p> <p>standard cable length 2 m [6.56'] (available from 1 piece) 5 m [16.40'] 10 m [32.81'] 15 m [49.21']</p> <p>other cable lengths (minimum order quantity 4 pieces)</p> <p>05.00.6031.4411.002M 05.00.6031.4411.005M 05.00.6031.4411.010M 05.00.6031.4411.015M</p> <p>05.00.6031.4411.0xxM xx = length in meters: 1, 3, 8, 12, 20, 25, 30</p>								
<p><i>Terminal assignment</i></p> <table border="1"> <tr> <td>Pin male contacts:</td> <td>1</td> <td>2</td> <td>3</td> <td>4</td> </tr> <tr> <td>Wire color:</td> <td>YE</td> <td>OG</td> <td>WH</td> <td>BU</td> </tr> </table>		Pin male contacts:	1		2	3	4	Wire color:	YE	OG	WH	BU
Pin male contacts:	1	2	3	4								
Wire color:	YE	OG	WH	BU								

With connector, 5 pin		Working temp. -30°C ... +80°C [-22°F ... +176°F]	Order no.													
<p>Female connector with coupling nut + single-ended A coded, straight</p> <p>Cable: PVC, 5 x 0.25 mm² [AWG23] Housing: metal / plastic, IP67</p> 		<p>Port A (1) and B (2)</p>  	<p>suitable for our series:</p> <p>M3661 / M3681 M3661R M5861</p> <p>A50, B80, C120, D135 IS40</p>	<p><i>cable length</i>¹⁾</p> <p>standard cable length 2 m [6.56'] (available from 1 piece) 5 m [16.40'] 10 m [32.81'] 15 m [49.21']</p> <p>other cable lengths (minimum order quantity 4 pieces)</p> <p>05.00.6081.2211.002M 05.00.6081.2211.005M 05.00.6081.2211.010M 05.00.6081.2211.015M</p> <p>05.00.6081.2211.0xxM xx = length in meters: 1, 3, 8, 12, 20, 25, 30</p>												
<p><i>Terminal assignment</i></p> <table border="1"> <tr> <td>Pin female contacts:</td> <td>1</td> <td>2</td> <td>3</td> <td>4</td> <td>5</td> <td>PH²⁾</td> </tr> <tr> <td>Wire color:</td> <td>BN</td> <td>WH</td> <td>BU</td> <td>BK</td> <td>GY</td> <td>PH²⁾</td> </tr> </table>		Pin female contacts:	1		2	3	4	5	PH ²⁾	Wire color:	BN	WH	BU	BK	GY	PH ²⁾
Pin female contacts:	1	2	3	4	5	PH ²⁾										
Wire color:	BN	WH	BU	BK	GY	PH ²⁾										

1) Other cable lengths on request.

Connection technology

M12 connection technology Cordsets, pre-assembled

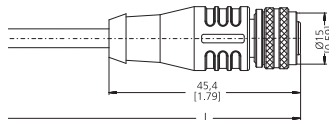
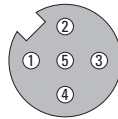
With connector, 5 pin Working temp. -30°C ... +80°C [-22°F ... +176°F] Order no.

Female connector with coupling nut + single-ended A coded, straight

Cable: PUR, 4 x 0.34 mm² [AWG22]
Housing: metal / plastic, IP67



Bus-in



suitable for our series:

9080
IS60, IN88

DeviceNet

Terminal assignment

Pin female contacts:	1	2	3	4	5
Wire color:	± 3)	RD	BK	WH	BU

cable length ¹⁾

standard cable length 2 m [6.56']
(available from 1 piece) 5 m [16.40']
10 m [32.81']
15 m [49.21']

05.00.6021.2211.002M
05.00.6021.2211.005M
05.00.6021.2211.010M
05.00.6021.2211.015M

other cable lengths
(minimum order quantity 4 pieces)

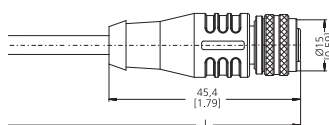
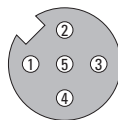
05.00.6021.2211.0xxM
xx = length in meters:
1, 3, 8, 12, 20, 25, 30

Female connector with coupling nut + single-ended A coded, straight

Cable: PVC, 3 x 2 x 0.25 mm²
Housing: metal / plastic, IP67



Bus-in



suitable for our series:

M3658 / M3678 M3668 / M3688
M3668R F5868 / F5888
5858 / 5878 5868 / 5888
M5868 9080

CANopen

Terminal assignment

Pin female contacts:	1	2	3	4	5	PH ²⁾
Wire color:	GY	BN	WH	GN	YE	PH ²⁾

cable length ¹⁾

standard cable length 2 m [6.56']
(available from 1 piece) 5 m [16.40']
10 m [32.81']
15 m [49.21']

05.00.6091.A211.002M
05.00.6091.A211.005M
05.00.6091.A211.010M
05.00.6091.A211.015M

other cable lengths
(minimum order quantity 4 pieces)



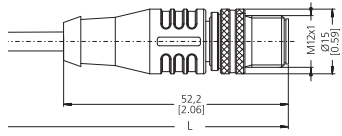


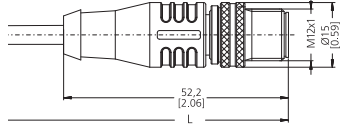
05.00.6091.A211.0xxM
xx = length in meters:
1, 3, 8, 12, 20, 25, 30

1) Other cable lengths on request.
2) Shield on housing.
3) Shield with pin 1.

Connection technology

M12 connection technology


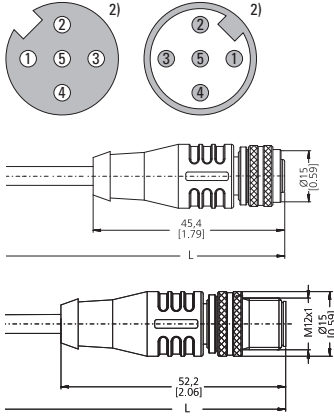

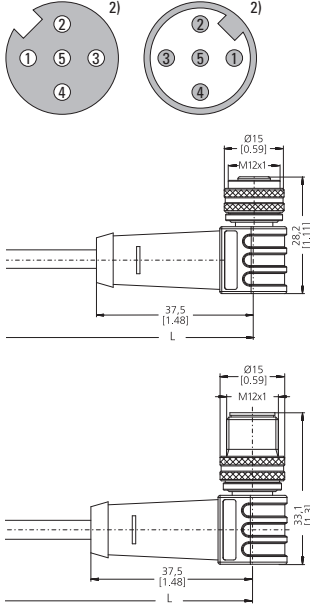
Cordsets, pre-assembled

With connector, 5 pin		Working temp. -30°C ... +80°C [-22°F ... +176°F]	Order no.														
<p>Male connector with external thread + single-ended A coded, straight</p> <p>Cable: PUR, 4 x 0.34 mm² [AWG22] Housing: metal / plastic, IP67</p> 		<p>Bus out</p>  	<p>suitable for our series:</p> <p>9080 IS60, IN88</p> <p>DeviceNet</p> <p><i>cable length</i>¹⁾</p> <p>standard cable length 2 m [6.56'] (available from 1 piece) 5 m [16.40'] 10 m [32.81'] 15 m [49.21']</p> <p>other cable lengths (minimum order quantity 4 pieces)</p>	<p>05.00.6021.2411.002M 05.00.6021.2411.005M 05.00.6021.2411.010M 05.00.6021.2411.015M</p> <p>05.00.6021.2411.0xxM xx = length in meters: 1, 3, 8, 12, 20, 25, 30</p>													
<p>Male connector with external thread + single-ended A coded, straight</p> <p>Cable: PVC, 3 x 2 x 0.25 mm² [AWG23] Housing: metal / plastic, IP67</p> 		<p>Bus out</p>  	<p>suitable for our series:</p> <p>EMIO.SIO.10xP</p> <p>M3658 / M3678 F5868 / F5888 5858 / 5878 5868 / 5888 9080</p> <p>CANopen</p> <p><i>cable length</i>¹⁾</p> <p>standard cable length 2 m [6.56'] (available from 1 piece) 5 m [16.40'] 10 m [32.81'] 15 m [49.21']</p> <p>other cable lengths (minimum order quantity 4 pieces)</p>	<p>05.00.6091.A411.002M 05.00.6091.A411.005M 05.00.6091.A411.010M 05.00.6091.A411.015M</p> <p>05.00.6091.A411.0xxM xx = length in meters: 1, 3, 8, 12, 20, 25, 30</p>													
<p><i>Terminal assignment</i></p> <table border="1"> <tr> <td>Pin male contacts:</td> <td>1</td> <td>2</td> <td>3</td> <td>4</td> <td>5</td> </tr> <tr> <td>Wire color:</td> <td>⊥³⁾</td> <td>RD</td> <td>BK</td> <td>WH</td> <td>BU</td> </tr> </table>		Pin male contacts:	1	2	3	4	5	Wire color:	⊥ ³⁾	RD	BK	WH	BU				
Pin male contacts:	1	2	3	4	5												
Wire color:	⊥ ³⁾	RD	BK	WH	BU												
<p><i>Terminal assignment</i></p> <table border="1"> <tr> <td>Pin male contacts:</td> <td>1</td> <td>2</td> <td>3</td> <td>4</td> <td>5</td> <td>PH²⁾</td> </tr> <tr> <td>Wire color:</td> <td>GY</td> <td>BN</td> <td>WH</td> <td>GN</td> <td>YE</td> <td>PH²⁾</td> </tr> </table>		Pin male contacts:	1	2	3	4	5	PH ²⁾	Wire color:	GY	BN	WH	GN	YE	PH ²⁾		
Pin male contacts:	1	2	3	4	5	PH ²⁾											
Wire color:	GY	BN	WH	GN	YE	PH ²⁾											

1) Other cable lengths on request.
 2) Shield on housing.
 3) Shield with pin 1.

Connection technology

M12 connection technology Cordsets, pre-assembled


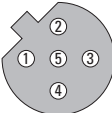
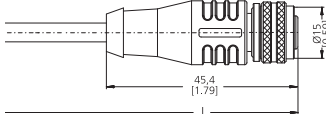


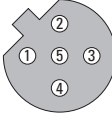
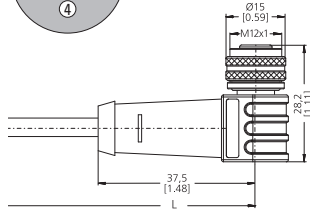

With connector, 5 pin		Working temp. -30°C ... +80°C [-22°F ... +176°F]	Order no.								
<p>Female connector with coupling nut + male connector with external thread A coded, straight</p> <p>Cable: PUR, 4 x 0.34 mm² [AWG22] Housing: metal / plastic, IP67</p> 	<p>Bus in / out</p> 	<p>suitable for our series:</p> <p>EMIO.SIO.10xP 9080</p> <p>DeviceNet.</p> <p><i>cable length ¹⁾</i></p> <table border="0"> <tr> <td>standard cable length</td> <td>2 m [6.56']</td> </tr> <tr> <td>(available from 1 piece)</td> <td>5 m [16.40']</td> </tr> <tr> <td></td> <td>10 m [32.81']</td> </tr> <tr> <td></td> <td>15 m [49.21']</td> </tr> </table> <p>other cable lengths (minimum order quantity 4 pieces)</p>	standard cable length	2 m [6.56']	(available from 1 piece)	5 m [16.40']		10 m [32.81']		15 m [49.21']	<p>05.00.6021.2422.002M 05.00.6021.2422.005M 05.00.6021.2422.010M 05.00.6021.2422.015M</p> <p>05.00.6021.2422.0xxM xx = length in meters: 1, 3, 8, 12, 20, 25, 30</p>
standard cable length	2 m [6.56']										
(available from 1 piece)	5 m [16.40']										
	10 m [32.81']										
	15 m [49.21']										
<p>Female connector with coupling nut + male connector with external thread A coded, right-angle</p> <p>Cable: PUR, 4 x 0.34 mm² [AWG22] Housing: metal / plastic, IP67</p> 	<p>Bus in / out</p> 	<p>suitable for our series:</p> <p>9080</p> <p>DeviceNet.</p> <p><i>cable length ¹⁾</i></p> <table border="0"> <tr> <td>standard cable length</td> <td>2 m [6.56']</td> </tr> <tr> <td>(available from 1 piece)</td> <td>5 m [16.40']</td> </tr> <tr> <td></td> <td>10 m [32.81']</td> </tr> <tr> <td></td> <td>15 m [49.21']</td> </tr> </table> <p>other cable lengths (minimum order quantity 4 pieces)</p>	standard cable length	2 m [6.56']	(available from 1 piece)	5 m [16.40']		10 m [32.81']		15 m [49.21']	<p>05.00.6021.2523.002M 05.00.6021.2523.005M 05.00.6021.2523.010M 05.00.6021.2523.015M</p> <p>05.00.6021.2523.0xxM xx = length in meters: 1, 3, 8, 12, 20, 25, 30</p>
standard cable length	2 m [6.56']										
(available from 1 piece)	5 m [16.40']										
	10 m [32.81']										
	15 m [49.21']										

1) Other cable lengths on request.
2) Shield on housing.

Connection technology

M12 connection technology

Cordsets, pre-assembled

With connector, 5 pin		Working temp. -30°C ... +80°C [-22°F ... +176°F]	Order no.													
<p>Female connector with coupling nut + single-ended B coded, straight</p> <p>Cable: PUR, 2 x 0.34 mm² Housing: metal / plastic, IP67</p> 	<p>Bus-in</p>  	<p>suitable for our series:</p> <p>5858 / 5878 5868 / 5888 9080</p> 	<p><i>cable length</i>¹⁾</p> <p>standard cable length 2 m [6.56'] (available from 1 piece) 5 m [16.40'] 10 m [32.81'] 15 m [49.21']</p> <p>other cable lengths (minimum order quantity 4 pieces)</p> <p>05.00.6011.3211.002M 05.00.6011.3211.005M 05.00.6011.3211.010M 05.00.6011.3211.015M</p> <p>05.00.6011.3211.0xxM xx = length in meters: 1, 3, 8, 12, 20, 25, 30</p>													
<p><i>Terminal assignment</i></p> <table border="1"> <tr> <td>Pin female contacts:</td> <td>1</td> <td>2</td> <td>3</td> <td>4</td> <td>5</td> <td>PH²⁾</td> </tr> <tr> <td>Wire color:</td> <td>n.c.</td> <td>GN</td> <td>n.c.</td> <td>RD</td> <td>n.c.</td> <td>PH²⁾</td> </tr> </table>	Pin female contacts:	1		2	3	4	5	PH ²⁾	Wire color:	n.c.	GN	n.c.	RD	n.c.	PH ²⁾	
Pin female contacts:	1	2	3	4	5	PH ²⁾										
Wire color:	n.c.	GN	n.c.	RD	n.c.	PH ²⁾										
<p>Female connector with coupling nut + single-ended B coded, right-angle</p> <p>Cable: PUR, 2 x 0.34 mm² [AWG22] Housing: metal / plastic, IP67</p> 	<p>Bus-in</p>  	<p>suitable for our series:</p> <p>5858 / 5878 5868 / 5888 9080</p> 	<p><i>cable length</i>¹⁾</p> <p>standard cable length 2 m [6.56'] (available from 1 piece) 5 m [16.40'] 10 m [32.81'] 15 m [49.21']</p> <p>other cable lengths (minimum order quantity 4 pieces)</p> <p>05.00.6011.3311.002M 05.00.6011.3311.005M 05.00.6011.3311.010M 05.00.6011.3311.015M</p> <p>05.00.6011.3311.0xxM xx = length in meters: 1, 3, 8, 12, 20, 25, 30</p>													
<p><i>Terminal assignment</i></p> <table border="1"> <tr> <td>Pin female contacts:</td> <td>1</td> <td>2</td> <td>3</td> <td>4</td> <td>5</td> <td>PH²⁾</td> </tr> <tr> <td>Wire color:</td> <td>n.c.</td> <td>GN</td> <td>n.c.</td> <td>RD</td> <td>n.c.</td> <td>PH²⁾</td> </tr> </table>	Pin female contacts:	1		2	3	4	5	PH ²⁾	Wire color:	n.c.	GN	n.c.	RD	n.c.	PH ²⁾	
Pin female contacts:	1	2	3	4	5	PH ²⁾										
Wire color:	n.c.	GN	n.c.	RD	n.c.	PH ²⁾										

1) Other cable lengths on request.
2) Shield on housing.

Connection technology

M12 connection technology Cordsets, pre-assembled

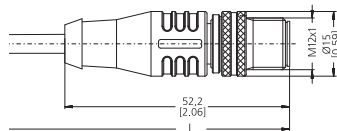
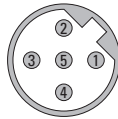
With connector, 5 pin Working temp. -30°C ... +80°C [-22°F ... +176°F] Order no.

Male connector with external thread + single-ended
B coded, straight

Cable: PUR, 2 x 0.34 mm²
 Housing: metal / plastic, IP67



Bus-out



suitable for our series:

5858 / 5878
 5868 / 5888
 9080



cable length ¹⁾

standard cable length 2 m [6.56']
 (available from 1 piece) 5 m [16.40']
 10 m [32.81']
 15 m [49.21']

05.00.6011.3411.002M
05.00.6011.3411.005M
05.00.6011.3411.010M
05.00.6011.3411.015M

other cable lengths
 (minimum order quantity 4 pieces)

05.00.6011.3411.0xxM

xx = length in meters:
 1, 3, 8, 12, 20, 25, 30

Terminal assignment

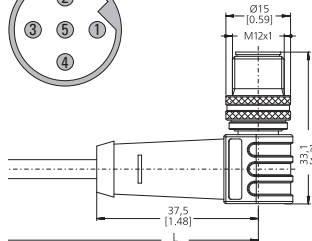
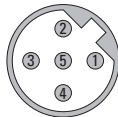
Pin male contacts:	1	2	3	4	5	PH ²⁾
Wire color:	n.c.	GN	n.c.	RD	n.c.	PH ²⁾

Male connector with external thread + single-ended
B coded, right-angle

Cable: PUR, 2 x 0.34 mm²
 Housing: metal / plastic, IP67



Bus-out



suitable for our series:

5858 / 5878
 5868 / 5888
 9080



cable length ¹⁾

standard cable length 2 m [6.56']
 (available from 1 piece) 5 m [16.40']
 10 m [32.81']
 15 m [49.21']

05.00.6011.3511.002M
05.00.6011.3511.005M
05.00.6011.3511.010M
05.00.6011.3511.015M

other cable lengths
 (minimum order quantity 4 pieces)

05.00.6011.3511.0xxM

xx = length in meters:
 1, 3, 8, 12, 20, 25, 30

Terminal assignment





Pin male contacts:	1	2	3	4	5	PH ²⁾
Wire color:	n.c.	GN	n.c.	RD	n.c.	PH ²⁾

1) Other cable lengths on request.
 2) Shield on housing.

Connection technology

M12 connection technology

Cordsets, pre-assembled

With connector, 5 pin		Working temp. -30°C ... +80°C [-22°F ... +176°F]	Order no.
<p>Female connector with coupling nut + male connector with external thread B coded, straight</p> <p>Cable: PUR, 2 x 0.34 mm² Housing: metal / plastic, IP67</p> 	<p>Bus in / out</p>	<p>suitable for our series:</p> <p>5858 / 5878 5868 / 5888 9080</p>  <p><i>cable length</i>¹⁾</p> <p>standard cable length 2 m [6.56'] (available from 1 piece) 5 m [16.40'] 10 m [32.81'] 15 m [49.21']</p> <p>other cable lengths (minimum order quantity 4 pieces)</p>	<p>05.00.6011.3432.002M 05.00.6011.3432.005M 05.00.6011.3432.010M 05.00.6011.3432.015M</p> <p>05.00.6011.3432.0xxM xx = length in meters: 1, 3, 8, 12, 20, 25, 30</p>
<p>Female connector with coupling nut + male connector with external thread B coded, right-angle</p> <p>Cable: PUR, 2 x 0.34 mm² Housing: metal / plastic, IP67</p> 	<p>Bus in / out</p>	<p>suitable for our series:</p> <p>5858 / 5878 5868 / 5888 9080</p>  <p><i>cable length</i>¹⁾</p> <p>standard cable length 2 m [6.56'] (available from 1 piece) 5 m [16.40'] 10 m [32.81'] 15 m [49.21']</p> <p>other cable lengths (minimum order quantity 4 pieces)</p>	<p>05.00.6011.3533.002M 05.00.6011.3533.005M 05.00.6011.3533.010M 05.00.6011.3533.015M</p> <p>05.00.6011.3533.0xxM xx = length in meters: 1, 3, 8, 12, 20, 25, 30</p>

1) Other cable lengths on request.
2) Shield on housing.

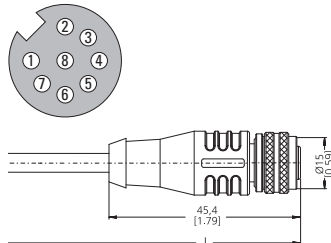
Connection technology

M12 connection technology Cordsets, pre-assembled

With connector, 8 pin Working temp. -30°C ... +80°C [-22°F ... +176°F] Order no.

Female connector with coupling nut + single-ended A coded, straight

Cable: PVC, 8 x 0.25 mm² [AWG23]
Housing: metal / plastic, IP67



Terminal assignment

Pin female contacts:	1	2	3	4	5	6	7	8	PH ²⁾
Wire color:	WH	BN	GN	YE	GY	PK	BU	RD	PH ²⁾

suitable for our series:

3610 / 3620	KIS50 / KIH50
5000 / 5020	5006 / 5026
5814 / 5834	5814FSx / 5834FSx
5821	A020 / A02H
F3653 / F3673	5853 / 5873
5876	
M3663 / M3683	M3663R / M3683R
F3663 / F3683	F5863 / F5883
5863 / 5883	F5883M

cable length ¹⁾

standard cable length	2 m [6.56']
(available from 1 piece)	5 m [16.40']
	10 m [32.81']
	15 m [49.21']

05.00.6041.8211.002M
05.00.6041.8211.005M
05.00.6041.8211.010M
05.00.6041.8211.015M

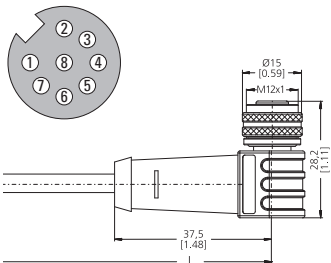
other cable lengths
(minimum order quantity 4 pieces)

05.00.6041.8211.0xxM

xx = length in meters:
1, 3, 8, 12, 20, 25, 30

Female connector with coupling nut + single-ended A coded, right-angle

Cable: PVC, 8 x 0.25 mm² [AWG23]
Housing: metal / plastic, IP67



Terminal assignment

Pin female contacts:	1	2	3	4	5	6	7	8	PH ²⁾
Wire color:	WH	BN	GN	YE	GY	PK	BU	RD	PH ²⁾

suitable for our series:

3610 / 3620	5000 / 5020
5814 / 5834	5814FSx / 5834FSx
5006 / 5026	5821
A020 / A02H	
F3653 / F3673	5853 / 5873
5876	
M3663 / M3683	M3663R / M3683R
F3663 / F3683	F5863 / F5883
5863 / 5883	

cable length ¹⁾

standard cable length	2 m [6.56']
(available from 1 piece)	5 m [16.40']
	10 m [32.81']
	15 m [49.21']

05.00.6041.8311.002M
05.00.6041.8311.005M
05.00.6041.8311.010M
05.00.6041.8311.015M

other cable lengths
(minimum order quantity 4 pieces)

05.00.6041.8311.0xxM

xx = length in meters:
1, 3, 8, 12, 20, 25, 30

1) Other cable lengths on request.
2) Shield on housing.

Connection technology

M12 connection technology Cordsets, pre-assembled

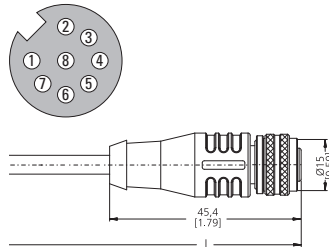
With connector, 8 pin

Working temp. -30°C ... +80°C [-22°F ... +176°F]

Order no.

Female connector with coupling nut + single-ended A coded, straight

Cable: PUR, 8 x 0.25 mm² [AWG23]
Housing: metal / plastic, IP67



suitable for our series:

3610 / 3620 5000 / 5020
5814 / 5834 5814FSx / 5834FSx
5006 / 5026 5821
A020 / A02H
F3653 / F3673
5853 / 5873
M3663 / M3683 M3663R / M3683R
F3663 / F3683 F5863 / F5883
5863 / 5883 M5863
5876

Terminal assignment

Pin female contacts:	1	2	3	4	5	6	7	8	PH ²⁾
Wire color:	WH	BN	GN	YE	GY	PK	BU	RD	PH ²⁾

cable length ¹⁾
standard cable length 2 m [6.56']
(available from 1 piece) 5 m [16.40']
10 m [32.81']
15 m [49.21']

other cable lengths
(minimum order quantity 4 pieces)

05.00.6051.8211.002M
05.00.6051.8211.005M
05.00.6051.8211.010M
05.00.6051.8211.015M

05.00.6051.8211.0xxM

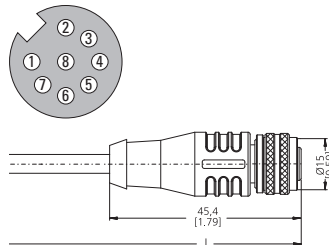
xx = length in meters:
1, 3, 8, 12, 20, 25, 30

Female connector with coupling nut + single-ended A coded, straight

Cable: PUR, 4 x 2 x 0.25 mm² [AWG23]
Housing: metal / plastic, IP67



Twisted-pair cables - for particularly interference-free transmission



suitable for our series with RS422, RS485 or SinCos output:

3610 / 3620 5000 / 5020
5814 / 5834 5814FSx / 5834FSx
5006 / 5026 5821
A020 / A02H
F3653 / F3673
5853 / 5873
M3663 / M3683 M3663R / M3683R
F3663 / F3683 F5863 / F5883
5863 / 5883 5876

Terminal assignment

Pin female contacts:	1	2	3	4	5	6	7	8	PH ²⁾
Wire color:	WH	BN	GN	YE	GY	PK	BU	RD	PH ²⁾

cable length ¹⁾
standard cable length 2 m [6.56']
(available from 1 piece) 5 m [16.40']
10 m [32.81']
15 m [49.21']

other cable lengths
(minimum order quantity 4 pieces)

05.00.60E1.8211.002M
05.00.60E1.8211.005M
05.00.60E1.8211.010M
05.00.60E1.8211.015M

05.00.60E1.8211.0xxM

xx = length in meters:
1, 3, 8, 12, 20, 25, 30

1) Other cable lengths on request.
2) Shield on housing.

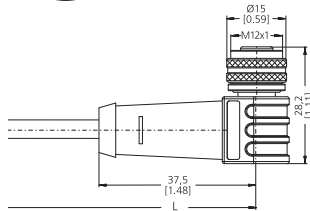
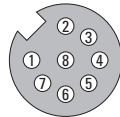
Connection technology

M12 connection technology Cordsets, pre-assembled

With connector, 8 pin Working temp. -30°C ... +80°C [-22°F ... +176°F] Order no.

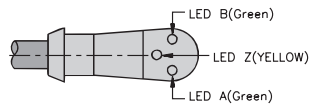
Female connector with coupling nut + single-ended
A coded, right-angle
with integrated control LEDs

Cable: PVC, 8 x 0.25 mm² [AWG23]
 Housing: metal / plastic, IP67



suitable for our series:

3610 / 3620	5006
5000 / 5020	5821
A020	A02H



Terminal assignment

Pin female contacts:	1	2	3	4	5	6	7	8	PH ²⁾
Wire color:	WH	BN	YE	GN	PK	GY	RD	BU	PH ²⁾

cable length ¹⁾

2 m [6.56']
 5 m [16.40']
 10 m [32.81']
 15 m [49.21']

05.E-WKC 8T-PX3-930-0002
05.E-WKC 8T-PX3-930-0005
05.E-WKC 8T-PX3-930-0010
05.E-WKC 8T-PX3-930-0015

1) Other cable lengths on request.
 2) Shield on housing.

Connection technology

M12 connection technology

Cordsets, pre-assembled

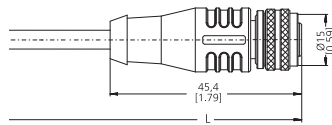
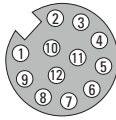
With connector, 12 pin

Working temp. -30°C ... +90°C [-22°F ... +194°F]

Order no.

Female connector with coupling nut + single-ended
A coded, straight

Cable: PUR, 6 x 2 x 0.14 mm²
Housing: metal / plastic, IP67



suitable for our series:

LA10

Terminal assignment

cable length ¹⁾

Pin female contacts:	1	2	3	4	5	6	7	8	9	10	11	12	PH ²⁾
Wire color:	WH	BN	GN	YE	GY	PK	BU	RD	BK	VT	GY/PK	RD/BU	PH ²⁾

standard cable length	2 m [6.56']
(available from 1 piece)	5 m [16.40']
	10 m [32.81']
	15 m [49.21']

05.00.60B1.B211.002M
05.00.60B1.B211.005M
05.00.60B1.B211.010M
05.00.60B1.B211.015M

other cable lengths
(minimum order quantity 4 pieces)

05.00.60B1.B211.0xxM

xx = length in meters:
1, 3, 8, 12, 20, 25, 30

1) Other cable lengths on request.
2) Shield on housing.