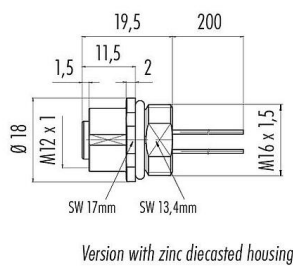


Product description	<b>M12 Female panel mount connector, Contacts: 12, unshielded, single wires, IP68, UL, M16x1.5</b>
Area	<b>M12-A</b>
Part no.	<b>76 0232 0111 00012-0200</b>

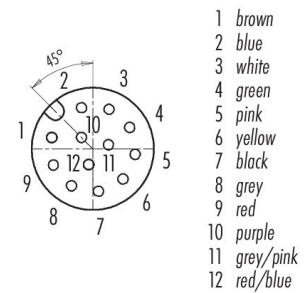
**Illustration**



**Scale drawing**



**Contact arrangement (Plug-in side)**



You can find the assembly instructions on the next page.

**Technical data**

General features

Part no.	<b>76 0232 0111 00012-0200</b>
Notice	Alternative part no.: 09 3492 700 12 Please note that, due to the change from the old to the new order number, there may be deviations in the technical specifications. For questions about product details, please use the 'Contact Customer Service' form on the right.
Connector design	Female panel mount connector
Type standard	DIN EN 61076-2-101
Wire length	0.2 m (Standard 0.2 m. Other lengths are available on request).
Version	Connector socket straight
Connector locking system	screw
Termination	single wires
Degree of protection	IP68
Cross-sectional area	0.14 mm <sup>2</sup> / AWG 26
Temperature range from/to	-40 °C / 85 °C
Mechanical operation	> 100 Mating cycles
Weight (g)	46.77
Customs tariff number	85369010

Electrical parameters

Rated voltage	30 V
Rated impulse voltage	500 V
Rated current	1.5 A (2 A UL)
Insulation resistance	> 10 <sup>8</sup> Ω
Pollution degree	3

Product description **M12 Female panel mount connector, Contacts: 12, unshielded, single wires, IP68, UL, M16x1.5**  
Area **M12-A**  
Part no. **76 0232 0111 00012-0200**

Insulating material group III  
EMC compliance unshielded

### Material

Housing material Zinc die-cast nickel-plated  
Contact body material PA black  
Contact material CuSn (bronze)  
Contact plating Au (gold)  
REACH SVHC CAS 7439-92-1 (Lead)  
SCIP number e2cfe3e8-09fe-47be-8824-6103ee40bb1e

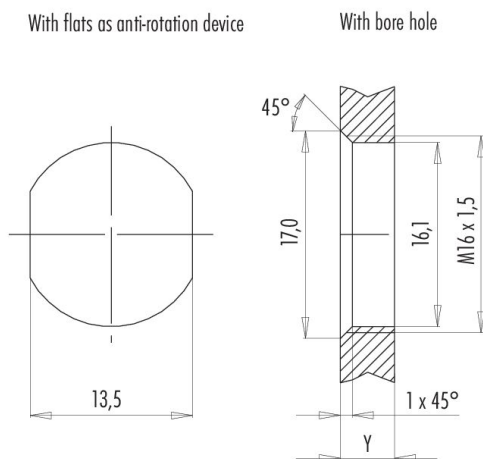
### Authorization/approvals

Approvals UL

### Classifications

ETIM 9.0 EC003570

### Assembly instructions / Panel cut-out



Installation direction: o-ring sits on chamfer.

### Tightening moment

Metall housing/Plastic housing 1,25 Nm

Thickness of wall Y (mm)		
Version	min (mm)	max (mm)
Fastened from rear	2	3,5
Front fastened	2	4,5
positioning possible <sup>1)</sup>	2	3,5
Screw clamp	2	3,5
Thread M12 x 1	2	3,0
Thread M14 x 1 <sup>2)</sup>	<sup>3)</sup> 1,5/ <sup>4)</sup> 2	6,5

### Notes

- <sup>1)</sup> Do not attach a chamfer
- <sup>2)</sup> Wall thickness:  
use nut 38 5385 100 001 up to 1,5 mm,  
>1,5 mm cut thread
- <sup>3)</sup> Nut
- <sup>4)</sup> Thread in wall of housing

Product description	<b>M12 Female panel mount connector, Contacts: 12, unshielded, single wires, IP68, UL, M16x1.5</b>
Area	<b>M12-A</b>
Part no.	<b>76 0232 0111 00012-0200</b>

## Security notices

The connector must not be plugged or unplugged under load. Non-observance and improper use can result in personal injury.

The connectors have been developed for applications in plant engineering, control and electrical equipment construction. The user is responsible for checking whether the connectors can also be used in other areas of application.

To protect against unintentional opening of the connector, the thread between the housing and the connector head must be secured with a suitable cyanoacrylate adhesive when used in circuits with voltages dangerous to the touch. This does not apply to connectors used in SELV and PELV circuits according to IEC 61140 (EN 61140, VDE 0140-1).

Connectors which are used in circuits with voltages dangerous to the touch may only be installed and used by, or under the supervision of, persons with electrical engineering training, taking into account the applicable regulations and standards.

Plug connectors with enclosure protection IP67 and IP68 are not suitable for use under water. When used outdoors, the plug connectors must be protected separately against corrosion. For further information on the IP protection classes, please refer to the "Technical Information" download centre.

To lock the cable connector with the device connector, the threaded ring is tightened "hand-tight" (approx. 60 cNm).

The user must take appropriate safety precautions to ensure that the connector cannot be accidentally disconnected. In addition, the user must ensure that the cable is suitably secured.