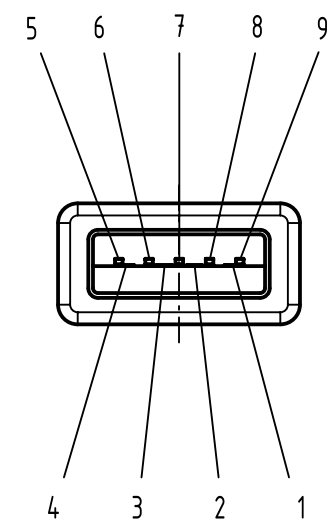


loading-plan

V Bus	1	1
D-	2	2
D+	3	3
GND	4	4
StdA_SSRX-	5	5
StdA_SSRX+	6	6
GND_DRAIN	7	7
StdA_SSTX-	8	8
StdA_SSTX+	9	9
Shield	Shell	Shell



further information see USB specification 3.0
www.usb.org
 DS 09456230203

6	09451452915	HARTING PushPull USB3.0 Type A, 1 x PushPull - 1 x IP20	5,0 ± 1%
5	09451452914	HARTING PushPull USB3.0 Type A, 1 x PushPull - 1 x IP20	3,0 ± 1%
4	09451452913	HARTING PushPull USB3.0 Type A, 1 x PushPull - 1 x IP20	2,0 ± 2%
3	09451452912	HARTING PushPull USB3.0 Type A, 1 x PushPull - 1 x IP20	1,5 ± 2%
2	09451452911	HARTING PushPull USB3.0 Type A, 1 x PushPull - 1 x IP20	1,0 ± 2%
1	09451452910	HARTING PushPull USB3.0 Type A, 1 x PushPull - 1 x IP20	0,5 ± 2%
no.	part-no.	description	length a [metre]

	All rights reserved		Scale 2:1	Free size tol.	Ref.	
	Department EC PD - DE		Created by HASSE	Inspected by LUETTERMANN	Standardisation HOFFMANN	Date 2013-07-05
HARTING Electronics GmbH		Title HPP V4 USB 3.0 type A, System cable: PushPull - IP20			Doc-Key / ECM-Nr. 100206995/UGD/049/A 50000063810	
D-32339 Espelkamp		Type TB	Number 0945145291X		Rev. A	Page 1/1