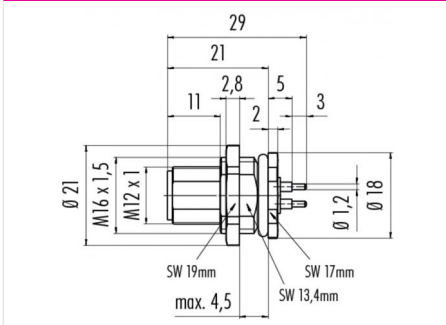


Product description	<b>Contacts: 4, male panel mount connector, POWER, front fastened, dip-solder, T-Coding, M16x1,5</b>
Area	<b>M12-T, M12-L Series 813, T-coding</b>
Order number	<b>09 0631 90 04</b>

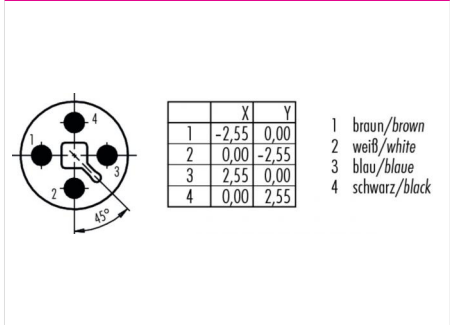
**Illustration**



**Scale drawing**



**Contact arrangement**



You can find the assembly instructions on the next page.

**Technical data**

**General values**

Connector design	male panel mount connector
Connector locking system	bolted
Termination	dip-solder
Wire gauge (mm)	max. 1.50 mm <sup>2</sup>
Wire gauge (AWG)	max. 16
Upper limit temperature	85 °C
Lower limit temperature	-40 °C
Customs tariff number	85369010

**Electrical values**

Rated current (40 °C)	12 A
Rated voltage	63 V
Rated impulse voltage	1500 V
Pollution degree	3
Overvoltage category	III
Insulating material group	II
Volume resistivity	≤ 5 mΩ
EMC compliance	Shielding is not possible
Degree of protection	IP68
Mechanical operation	> 100 Mating cycles

**Cable data**

Approval 1	UL
Approval 2	VDE

**Material**

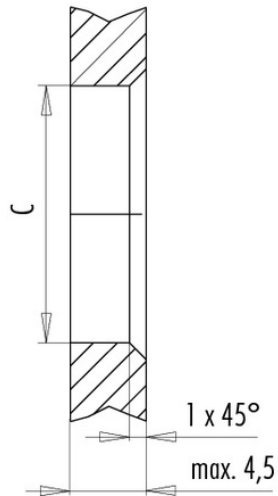
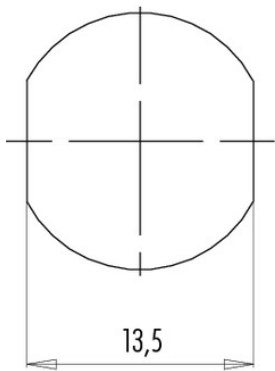
Contact material	CuZn (brass)
Contact plating	Au (gold)
Contact body material	PA

Product description	<b>Contacts: 4, male panel mount connector, POWER, front fastened, dip-solder, T-Coding, M16x1,5</b>
Area	<b>M12-T, M12-L Series 813, T-coding</b>
Order number	<b>09 0631 90 04</b>

Assembly instructions / Panel cut-out

Mit Fläche als Verdrehschutz  
With flats as anti-rotation device

Mit Durchgangsbohrung  
With bore hole



	C
PG 9	15,3
M16x1,5	16,1

Anzugsdrehmoment/Tightening torque

Metallgehäuse/Metal housing 6,25 Nm  
Kunststoffgehäuse/Plastic housing 3,75 Nm

Product description	<b>Contacts: 4, male panel mount connector, POWER, front fastened, dip-solder, T-Coding, M16x1,5</b>
Area	<b>M12-T, M12-L Series 813, T-coding</b>
Order number	<b>09 0631 90 04</b>

## Security notices

The connectors are designed for use in plant, control system and electrical equipment. The end user is responsible for checking whether the connectors are suitable for use in other applications.

Connectors with degree of protection IP 67 and IP 68 are not suitable for use under water. When used outdoors, the connectors must be separately protected against corrosion. For further information about IP degrees of protection refer to 'Technical support' in the Download Centre.