



Relays, Contactors & Switches > Circuit Breakers



Circuit Breaker Type: **Thermal**

Features

Product Type Features

Product Type	Boot
Circuit Breaker Type	Thermal

Mechanical Attachment

Mounting Bushing	3/8-24 Bushing
------------------	----------------

Product Compliance

[For compliance documentation, visit the product page on TE.com>](#)

EU RoHS Directive 2011/65/EU	Compliant
EU ELV Directive 2000/53/EC	Compliant
China RoHS 2 Directive MIIT Order No 32, 2016	No Restricted Materials Above Threshold
EU REACH Regulation (EC) No. 1907/2006	Current ECHA Candidate List: JAN 2022 (223) Candidate List Declared Against: JUL 2021 (219) SVHC > Threshold: Not Yet Reviewed
Halogen Content	Low Halogen - Br, Cl, F, I < 900 ppm per homogenous material. Also BFR/CFR/PVC Free
Solder Process Capability	Not applicable for solder process capability

Product Compliance Disclaimer

This information is provided based on reasonable inquiry of our suppliers and represents our current actual knowledge based on the information they provided. This information is subject to change. The part numbers that TE has identified as EU RoHS compliant have a maximum concentration of 0.1% by weight in homogenous materials for lead, hexavalent chromium, mercury, PBB, PBDE, DBP, BBP, DEHP, DIBP, and 0.01% for cadmium, or qualify for an exemption to these limits as defined in the Annexes of Directive 2011/65/EU (RoHS2). Finished electrical and electronic equipment products will be CE marked as required by Directive 2011/65/EU. Components may not be CE marked. Additionally, the part numbers that TE has identified as EU ELV compliant have a maximum concentration of 0.1% by weight in homogenous materials for lead, hexavalent chromium, and mercury, and 0.01% for cadmium, or qualify for an exemption to these limits as defined in the Annexes of Directive 2000/53/EC (ELV). Regarding the REACH Regulation, the information TE provides on SVHC in articles for this part number is based on the latest European Chemicals Agency (ECHA) 'Guidance on requirements for substances in articles' posted at this URL: <https://echa.europa.eu/guidance-documents/guidance-on-reach>

Compatible Parts



TE Part # 4-1423674-9
W54-XB2A99C10-25=CKTBKR,THERM,



TE Part # 2-1393249-8
W58-XB1A6A-20=W58



TE Part # 5-1423901-9
W54-XB2A4A10-10=CKTBKR,THERM,
PB,QC.250



TE Part # 1423901-1
W54-XB2A4A10-5=CKTBKR,THERM,PB,
QC.250



TE Part # 2-1423675-5
W57-XB2A99C10-15=CKTBKR,THERM,



TE Part # 2-1423675-0
W57-XB2A99C10-5=CKTBKR,THERM,P



TE Part # 5-1423364-6
W57-XB6A99C10-10=CKTBKR,THERM,
PB,QC.250



TE Part # 5-1423364-8
W57-XB6A99C10-12=CKTBKR,THERM,
PB,QC.250



TE Part # 5-1423364-7
W57-XB6A99C10-15=CKTBKR,THERM,
PB,QC.250



TE Part # 5-1423364-4
W57-XB6A99C10-5=CKTBKR,THERM,
PB,QC.250



TE Part # 5-1423364-5
W57-XB6A99C10-7=CKTBKR,THERM,
PB,QC.250



TE Part # 2-1423695-4
W58-XB1A6B-15=CKTBKR,THERM,PB,
QC.250,BUS



TE Part # 1-1423675-9
W57-XB2A99C10-4=CKTBKR,THERM,P



TE Part # 1423000-7
W54-FA2A6A10-5



TE Part # 9-1423674-9
W54-XA2C4A10-40=CKTBKR,THERM,P



TE Part # 6-1423901-0
W54-XB2A4A10-15=CKTBKR,THERM,
PB,QC.250



TE Part # 6-1423901-1
W54-XB2A4A10-20=CKTBKR,THERM,
PB,QC.250



TE Part # 2-1423675-3
W57-XB2A99C10-10=CKTBKR,THERM,




TE Part # 2-1423675-6
W57-XB2A99C10-20=CKTBKR,THERM,



TE Part # 5-1423364-9
W57-XB6A99C10-20=CKTBKR,THERM,
PB,QC.250

Also in the Series | **Potter & Brumfield W57**

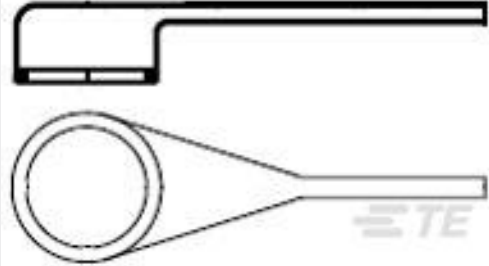


Circuit Breakers(26)

Customers Also Bought



TE Part #6-1419102-3
T9AP1D52-24



TE Part #814330-000
222D921-4/42-0



TE Part #6-440054-3
HPI 2.0MM,HDR,3POSVERTICAL,BLK



TE Part #1-111446-8
020 UNIV I/O 30DP NO EARS



TE Part #1-1393249-6
W58-XB1A4A-30=W58



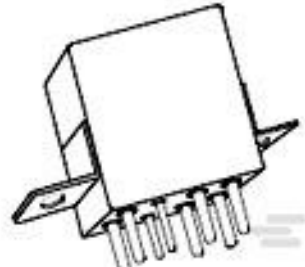
TE Part #4-1423674-9
W54-XB2A99C10-25=CKTBKR,THERM,



TE Part #2-1423675-0
W57-XB2A99C10-5=CKTBKR,THERM,P



TE Part #GA10K3A11A
DISCRETE 10K OHMS,+/-0.1C FROM
0C TO 70C



TE Part #1-1617752-9
FCA-210-EY7



Documents

CAD Files

3D PDF

3D

Customer View Model

[ENG_CVM_CVM_1-1423696-5_O.2d_dxf.zip](#)

English

Customer View Model

[ENG_CVM_CVM_1-1423696-5_O.3d_igs.zip](#)

English

Customer View Model

[ENG_CVM_CVM_1-1423696-5_O.3d_stp.zip](#)

English

By downloading the CAD file I accept and agree to the [Terms and Conditions](#) of use.

Datasheets & Catalog Pages

[W54 Push To Reset Only Thermal Circuit Breaker](#)

English

[Industrial Relays Quick Reference Guide](#)

English

[Industrial Relays Quick Reference Guide](#)

Japanese

[Industrial Relays Quick Reference Guide](#)