



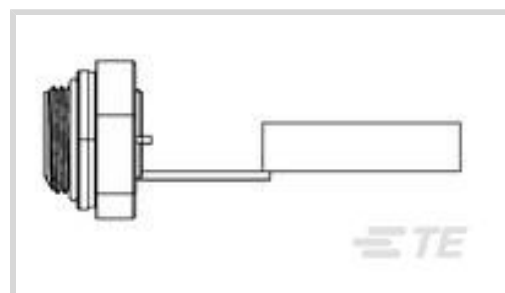
Industrial RJ45 Variant 3

TE Internal #: 1-1546411-1

Industrial RJ45 Variant 3, RJ45 Connectors, Circular RJ45, Single Port, RJ Type Jacks & Plugs, Receptacle, Cat 5e, Standard - Latch Down

[View on TE.com >](#)

Connectors > Modular Jacks & Plugs > RJ45 Connectors



Modular Jack & Plug Interface Type: **Circular RJ45**

Port Configuration: **Single Port**

Modular Jacks & Plugs Products: **RJ Type Jacks & Plugs**

Connector Contact Density: **Standard**

Modular Connector Style: **Receptacle**

Features

Product Type Features

Connectors & Connector Components Type	Connector
Compatible With Discrete Wire Type	Solid, Stranded
Modular Jack & Plug Interface Type	Circular RJ45
Modular Jacks & Plugs Products	RJ Type Jacks & Plugs
Modular Connector Style	Receptacle
Connector System	Wire-to-Wire
Connector & Contact Terminates To	Wire & Cable

Configuration Features

Wiring Pattern	T568A
Port Configuration	Single Port
Connector Contact Density	Standard
Status Indicator Type	None
Number of Positions	8
Number of Loaded Positions	8

Body Features

Seal Material	Nitrile Rubber
Modular Jack Latch Orientation	Standard - Latch Down
Connector Profile	Standard



Contact Features

Contact Current Rating (Max)	1.5 A
------------------------------	-------

Mechanical Attachment

Screw & Hole Thread Size	1-14 UNC
Connector Mounting Type	Panel Mount

Housing Features

Housing Material	ABS (Acrylonitrile-Butadiene-Styrene)
------------------	---------------------------------------

Usage Conditions

Operating Temperature Range	-20 – 80 °C[-4 – 176 °F]
-----------------------------	--------------------------

Operation/Application

Shielded	No
Circuit Application	Signal

Industry Standards

Performance Category	Cat 5e
----------------------	--------

Packaging Features

Packaging Quantity	1
Packaging Method	Package

Other

Additional Features	Category 5 Cable
---------------------	------------------

Product Compliance

[For compliance documentation, visit the product page on TE.com>](#)

EU RoHS Directive 2011/65/EU	Compliant
EU ELV Directive 2000/53/EC	Compliant
China RoHS 2 Directive MIIT Order No 32, 2016	No Restricted Materials Above Threshold
EU REACH Regulation (EC) No. 1907/2006	Current ECHA Candidate List: JAN 2022 (223) Candidate List Declared Against: JUN 2016 (169) SVHC > Threshold: Not Yet Reviewed
Halogen Content	Not Yet Reviewed for halogen content
Solder Process Capability	Not applicable for solder process capability

Product Compliance Disclaimer

This information is provided based on reasonable inquiry of our suppliers and represents our current actual knowledge based on the information they provided. This information is subject to change. The part numbers that TE has identified as EU RoHS compliant have a maximum concentration of 0.1% by weight in homogenous materials for lead, hexavalent chromium, mercury, PBB, PBDE, DBP, BBP, DEHP, DIBP, and 0.01% for cadmium, or qualify for an exemption to these limits as defined in the Annexes of Directive 2011/65/EU (RoHS2). Finished electrical and electronic equipment products will be CE marked as required by Directive 2011/65/EU. Components may not be CE marked. Additionally, the part numbers that TE has identified as EU ELV compliant have a maximum concentration of 0.1% by weight in homogenous materials for lead, hexavalent chromium, and mercury, and 0.01% for cadmium, or qualify for an exemption to these limits as defined in the Annexes of Directive 2000/53/EC (ELV). Regarding the REACH Regulation, the information TE provides on SVHC in articles for this part number is based on the latest European Chemicals Agency (ECHA) 'Guidance on requirements for substances in articles' posted at this URL: <https://echa.europa.eu/guidance-documents/guidance-on-reach>

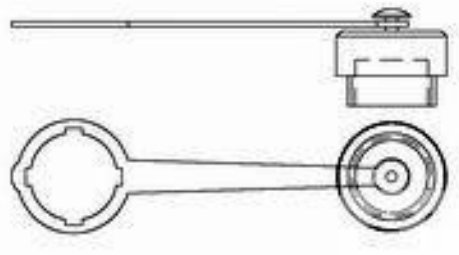
Compatible Parts



TE Part # 1-1546406-1
ETHERNET CLOSURE CAP RECPT W /LANYRD



TE Part # 1-1546407-1
ETHERNET CLOSURE CAP IP65,W/O LANYARD




TE Part # 1-1546408-1
ETHERNET CLOSURE CAP FOR CRDSET




TE Part # 1546440-1
ETHERNET FIELD ATTACHABLE CONN

Also in the Series | Industrial RJ45 Variant 3



Modular Jack & Plug Caps & Covers(3)



RJ45 Connectors(8)

Customers Also Bought



TE Part #211773-1
23-19 CPC RECEPT REV SEX



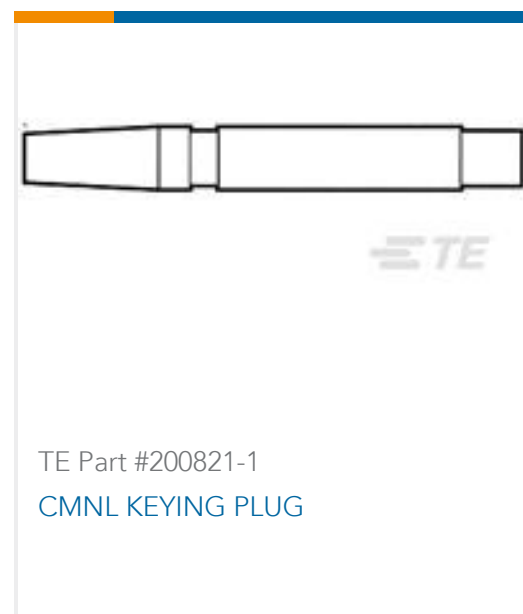
TE Part #66104-8
III+ SKT,24-20,15AU/FL,STRIP



TE Part #205210-7
HDP-20, PLUG, SIZE 4, 37 POSN



TE Part #796740-3
3 POS PCB MT 6.35MM HI CRT TBK



Documents

Product Drawings

[ETHERNET RCPT W/PC BRD & CBL](#)

English

CAD Files

[3D PDF](#)

3D

Customer View Model

[ENG_CVM_CVM_1-1546411-1_B.2d_dxf.zip](#)

English

Customer View Model

[ENG_CVM_CVM_1-1546411-1_B.3d_igs.zip](#)

English

Customer View Model

[ENG_CVM_CVM_1-1546411-1_B.3d_stp.zip](#)

English

By downloading the CAD file I accept and agree to the [Terms and Conditions](#) of use.

Datasheets & Catalog Pages

[INDUSTRIAL_ETHERNET_PRODUCTS](#)

English