



MCON Interconnection System

TE Internal #: 1-1703506-1

MCON Interconnection System, Housing for Male Terminals, Wire-to-Wire, 8 Position, .157 in [4 mm] Centerline, Sealable, Black, Signal

[View on TE.com >](#)

Connectors > Automotive Connectors > Connector Housings > MCON, CONNECTOR HOUSING



Connector & Housing Type: **Housing for Male Terminals**

Mating Tab Width: **1.2 mm [.047 in]**

Connector System: **Wire-to-Wire**

Number of Positions: **8**

Centerline (Pitch): **4 mm [.157 in]**

[All MCON, CONNECTOR HOUSING \(283\)](#)

Features

Product Type Features

Connector & Housing Type	Housing for Male Terminals
Connector System	Wire-to-Wire
Sealable	Yes
Hybrid Connector	No
Primary Locking Feature	On the Terminal

Configuration Features

Number of Positions	8
Number of Rows	1

Electrical Characteristics

Operating Voltage	14 VDC
Nominal Voltage Architecture	12 V

Body Features

Cable Exit Angle	180°
Body Material	PBT GF
Primary Product Color	Black

Contact Features

Mating Tab Width	1.2 mm[.047 in]
------------------	-----------------



Mechanical Attachment

Mounting Feature	Without
Terminal Position Assurance	Yes
Strain Relief	No

Housing Features

Centerline (Pitch)	4 mm [.157 in]
--------------------	----------------

Dimensions

Product Width	44 mm [1.732 in]
Product Length	40.2 mm [1.583 in]
Product Height	16.25 mm [.64 in]

Usage Conditions

Operating Temperature (Max)	70 °C, 75 °C, 80 °C, 85 °C, 90 °C, 100 °C, 105 °C, 110 °C, 120 °C, 125 °C [158 °F][167 °F][176 °F][185 °F][194 °F][212 °F][221 °F][230 °F][248 °F][257 °F]
Operating Temperature Range	-40 – 125 °C [-40 – 257 °F]

Operation/Application

Circuit Application	Signal
---------------------	--------

Packaging Features

Packaging Quantity	1
Packaging Method	Box

Other

Serviceable	Yes
Connector Position Assurance Capable	No

Product Compliance

[For compliance documentation, visit the product page on TE.com>](#)

EU RoHS Directive 2011/65/EU	Compliant
EU ELV Directive 2000/53/EC	Compliant
China RoHS 2 Directive MIIT Order No 32, 2016	No Restricted Materials Above Threshold
EU REACH Regulation (EC) No. 1907/2006	Current ECHA Candidate List: JAN 2022 (223) Candidate List Declared Against: JAN 2022 (223)

Does not contain REACH SVHC

Halogen Content

BFR/CFR/PVC Free, but Br/Cl >900 ppm in other sources.

Solder Process Capability

Not applicable for solder process capability

Product Compliance Disclaimer

This information is provided based on reasonable inquiry of our suppliers and represents our current actual knowledge based on the information they provided. This information is subject to change. The part numbers that TE has identified as EU RoHS compliant have a maximum concentration of 0.1% by weight in homogenous materials for lead, hexavalent chromium, mercury, PBB, PBDE, DBP, BBP, DEHP, DIBP, and 0.01% for cadmium, or qualify for an exemption to these limits as defined in the Annexes of Directive 2011/65/EU (RoHS2). Finished electrical and electronic equipment products will be CE marked as required by Directive 2011/65/EU. Components may not be CE marked. Additionally, the part numbers that TE has identified as EU ELV compliant have a maximum concentration of 0.1% by weight in homogenous materials for lead, hexavalent chromium, and mercury, and 0.01% for cadmium, or qualify for an exemption to these limits as defined in the Annexes of Directive 2000/53/EC (ELV). Regarding the REACH Regulation, the information TE provides on SVHC in articles for this part number is based on the latest European Chemicals Agency (ECHA) 'Guidance on requirements for substances in articles' posted at this URL: <https://echa.europa.eu/guidance-documents/guidance-on-reach>

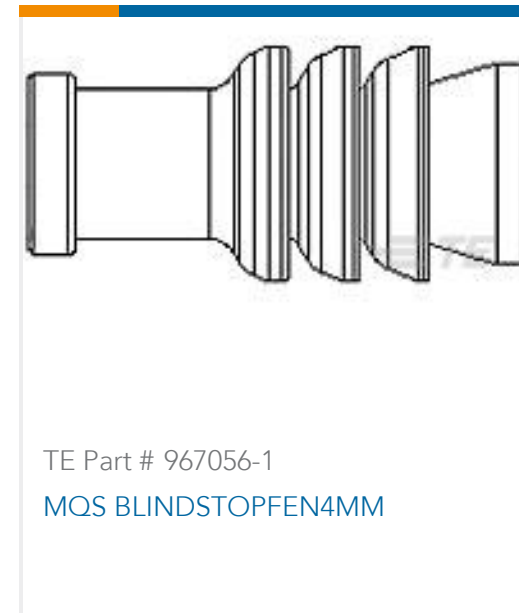
Compatible Parts



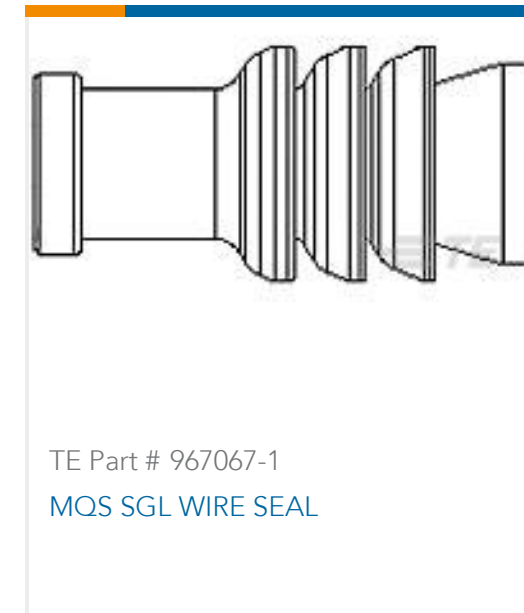
TE Part # CAT-M4595-CH8172
MCON, CONNECTOR HOUSING



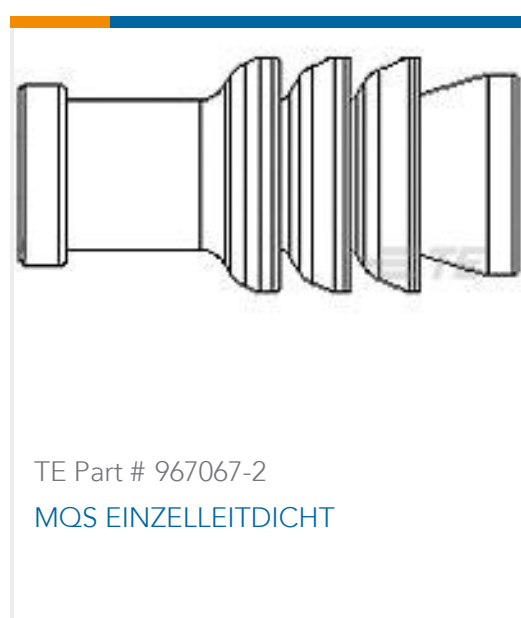
TE Part # 5-1579007-3
EXTRACTION TOOL



TE Part # 967056-1
MQS BLINDSTOPFEN4MM



TE Part # 967067-1
MQS SGL WIRE SEAL



TE Part # 967067-2
MQS EINZELLEITDICHT

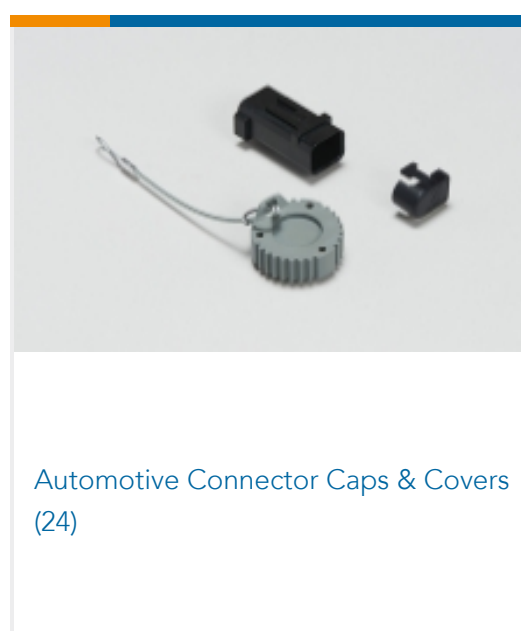


TE Part # CAT-M4595-T273
MCON, RECEPTACLE AND TAB



TE Part # 3-1579028-8
EXTRACTION TOOL

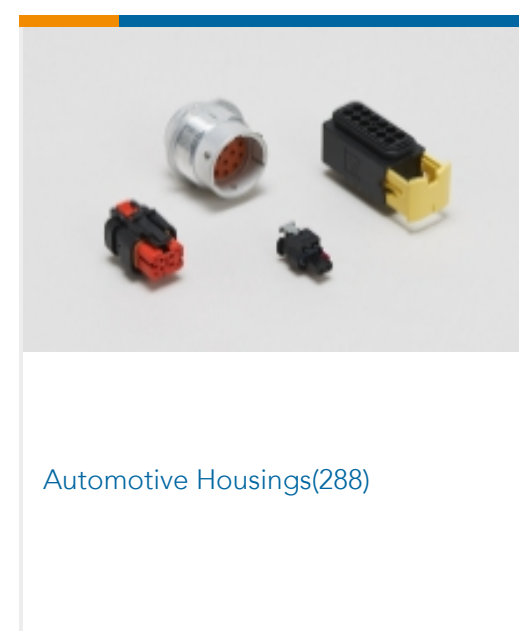
Also in the Series | MCON Interconnection System



Automotive Connector Caps & Covers
(24)



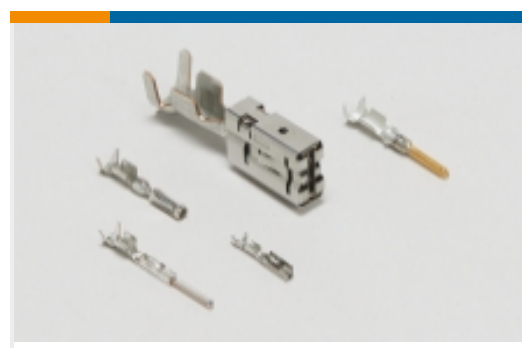
Automotive Connector Locks & Position Assurance(11)



Automotive Housings(288)



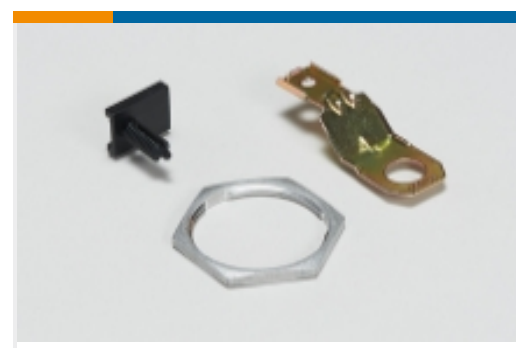
Automotive Seals & Cavity Plugs(4)



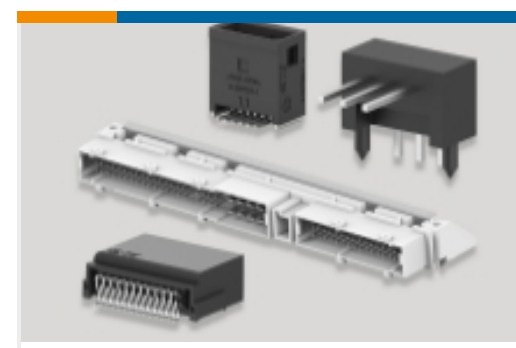
Automotive Terminals(114)



Insertion & Extraction Tools(31)



Other Automotive Connector Accessories(6)



PCB Headers & Receptacles(1)

Customers Also Bought

TE Part #1-968562-2
10POS MQS RECTE Part #1718760-1
MCON 1.2 LL TAB SWS SNTE Part #1-1379658-1
4W RCPT HSG CODING 1 NATURALTE Part #1903882-1
1.5 6POS LOCK HOUSINGTE Part #1801179-2
3W RECEPTACLE HPSL CONNECTOR
BLUETE Part #1801431-1
RCPT CONT, 8MM NG1+, MAXIFUSE,
2.5-4 MM2TE Part #1801468-1
COVER, ROTATIVE, 3 WAY HP
CONNECTORTE Part #2351792-1
HV DIE SET P800 35-50SQMMTE Part #2836646-2
OCEAN_2.0_APPLICATOR-S-
160F210OVTE Part #2208653-1
COVER,LEVER,ASSY

Documents

Product Drawings

8POS, MCON 1.2 LL TAB SEALED COD A

English

CAD Files

3D PDF

3D

Customer View Model

ENG_CVM_CVM_1-1703506-1_A.2d_dxf.zip



English

Customer View Model

[ENG_CVM_CVM_1-1703506-1_A.3d_igs.zip](#)

English

Customer View Model

[ENG_CVM_CVM_1-1703506-1_A.3d_stp.zip](#)

English

By downloading the CAD file I accept and agree to the [Terms and Conditions](#) of use.

Datasheets & Catalog Pages

[MCON Interconnection System](#)

English

Product Specifications

[Product Specification](#)

English

Product Environmental Compliance

[Product Compliance](#)

English

[Product Compliance](#)

English