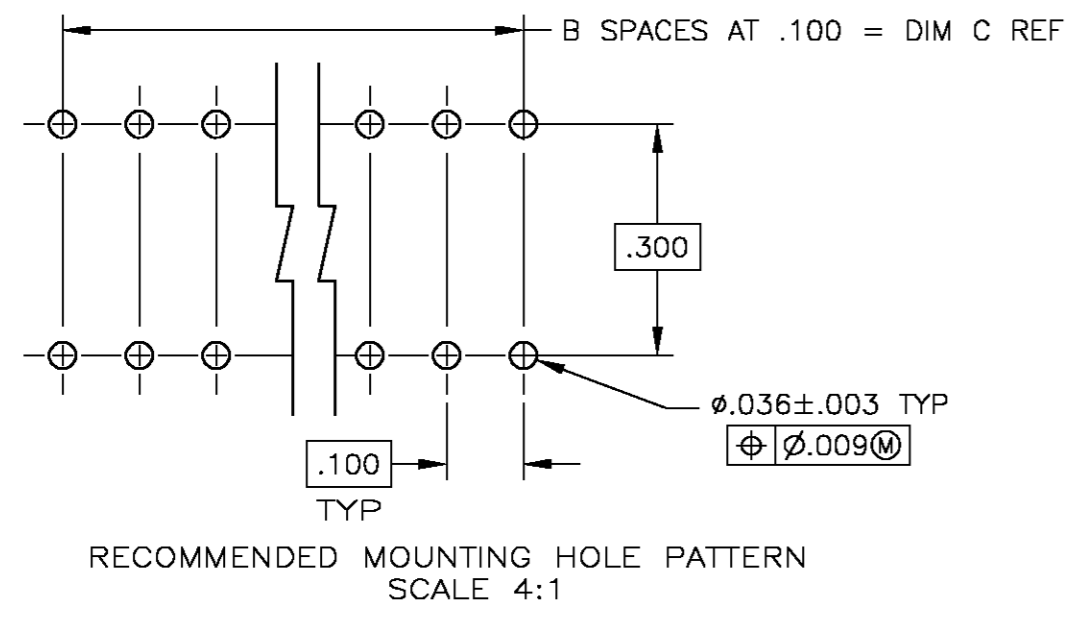
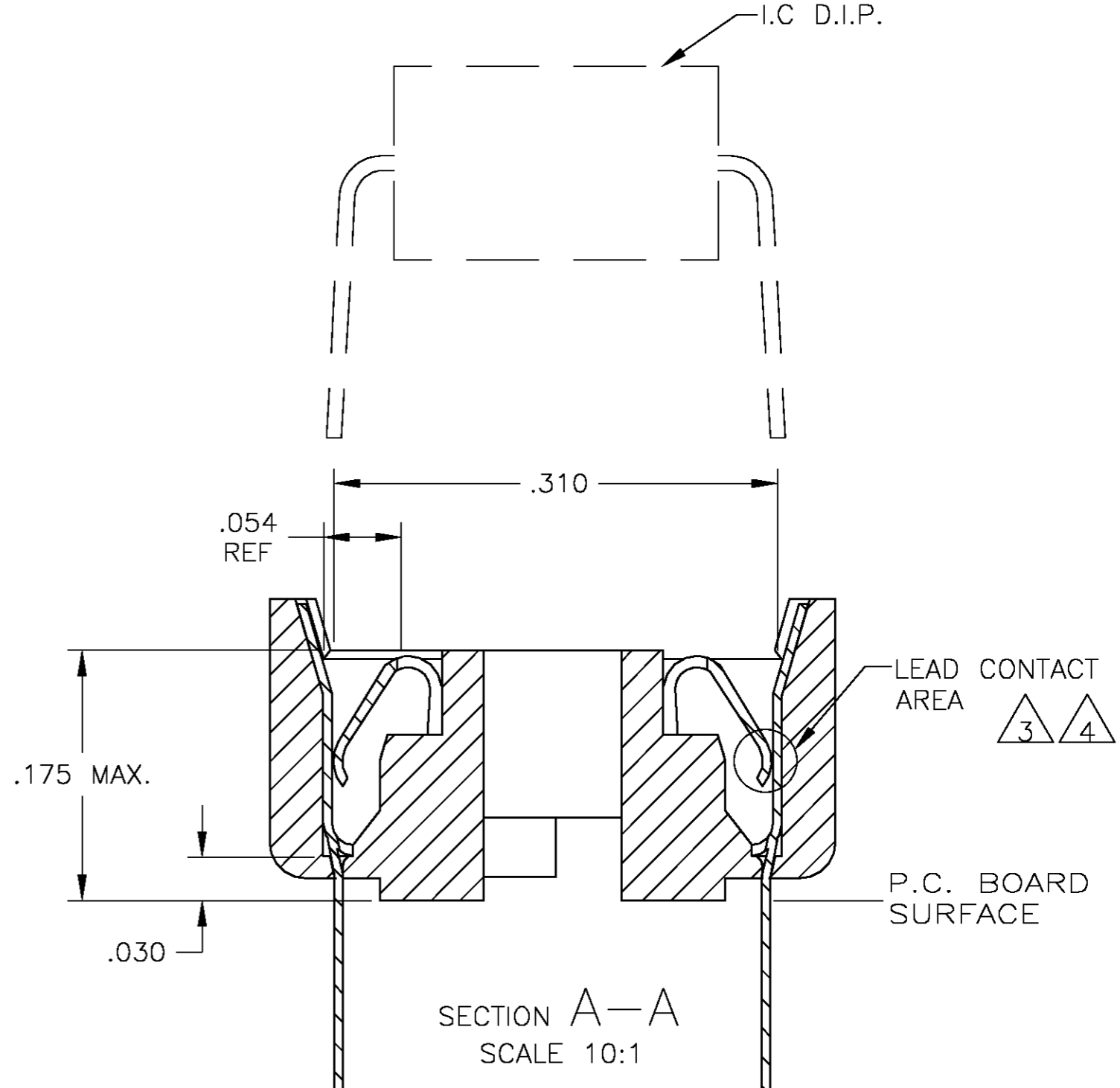
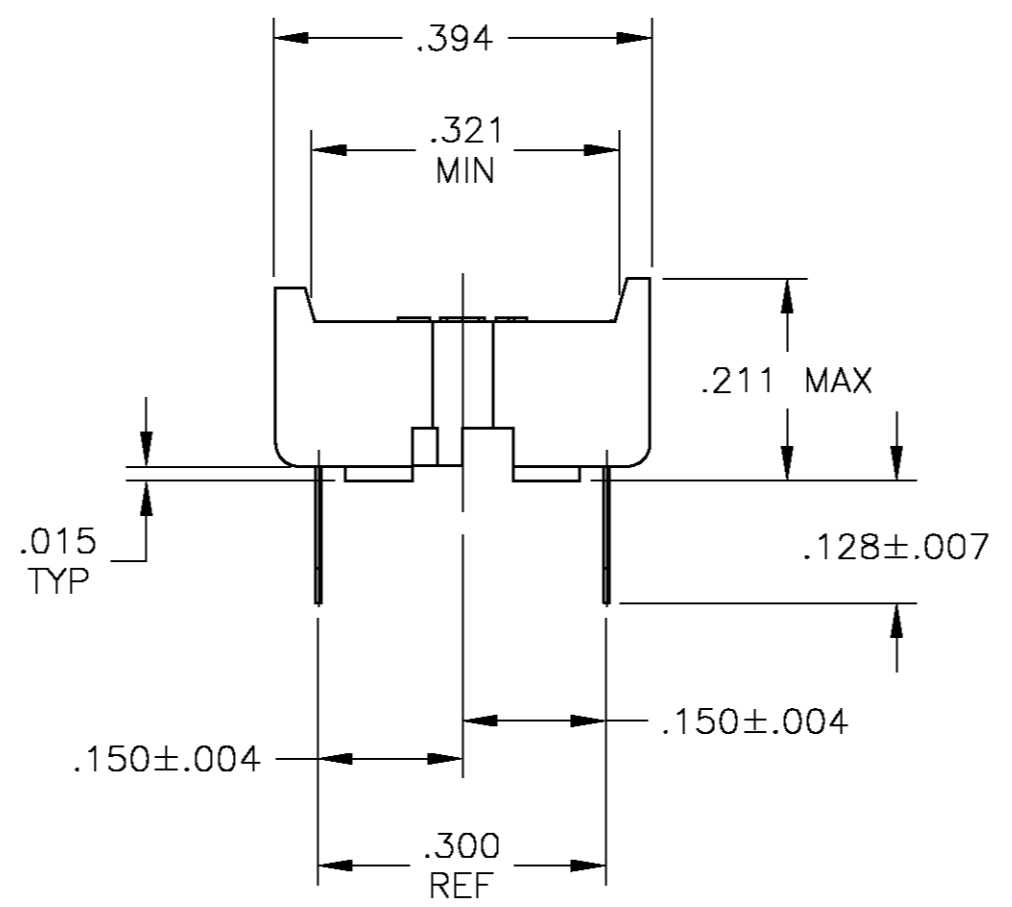
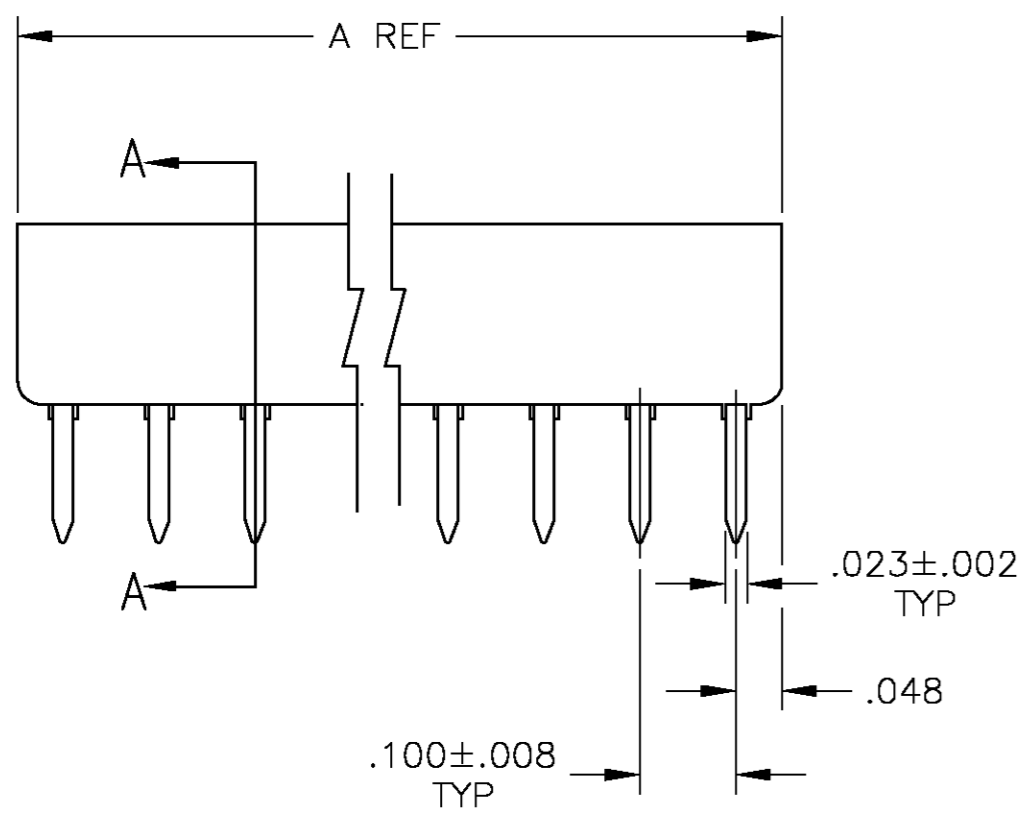
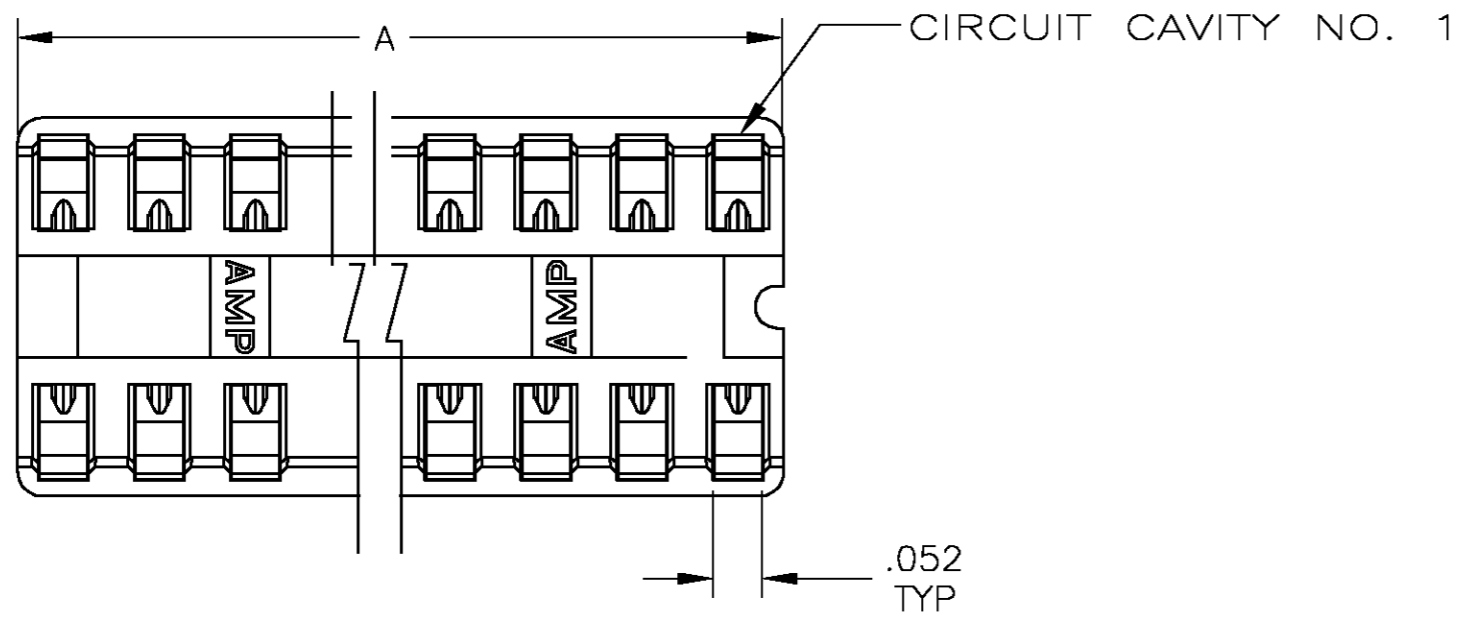


THIS DRAWING IS UNPUBLISHED. RELEASED FOR PUBLICATION
 © COPYRIGHT BY TYCO ELECTRONICS CORPORATION. ALL RIGHTS RESERVED.

LOC		DIST		REVISIONS			
P	LTR	DESCRIPTION		DATE	DWN	APVD	
AD	00	A	REV PER	063C-0113-05	29JUN05	RB	KD



- 1 RECEPTACLE ACCEPTS A .008-.014 THICK I.C. LEAD.
- 2 TUBE LOADED FOR AUTOMATIC INSERTION.
- 3 BECU CONTACT - PLATED WITH TWO .000030 MIN THK. GOLD STRIPES IN CONTACT AREA WITH TIN ON CONTACT LEGS, BALANCE OF CONTACT NICKEL PLATED.
- 4 PHOS. BRZ CONTACT - PLATED WITH TWO .000015 MIN THK. GOLD STRIPES IN CONTACT AREA WITH TIN ON CONTACT LEGS, BALANCE OF CONTACT NICKEL PLATED.
- 5 GLASS FILLED THERMOPLASTIC, 94V-0, BLACK

CONTACT & FINISH	DIM. C	B	SPCS	DIM. A	POSITION	PART NO.
3	1.100	11	1.195	24	1-1825094-7	
3	.900	9	.995	20	1-1825094-6	
3	.800	8	.895	18	1-1825094-5	
3	.700	7	.795	16	1-1825094-4	
3	.600	6	.695	14	1-1825094-3	
3	.300	3	.395	8	1-1825094-2	
3	.200	2	.295	6	1-1825094-1	
4	1.100	11	1.195	24	1825094-7	
4	.900	9	.995	20	1825094-6	
4	.800	8	.895	18	1825094-5	
4	.700	7	.795	16	1825094-4	
4	.600	6	.695	14	1825094-3	
4	.300	3	.395	8	1825094-2	
4	.200	2	.295	6	1825094-1	

THIS DRAWING IS A CONTROLLED DOCUMENT.

DIMENSIONS: INCHES	TOLERANCES UNLESS OTHERWISE SPECIFIED:	DWN: B.S.VISWESWARA	21APROS		Tyco Electronics Corporation Harrisburg, Pa 17105-3608
		CHK: K WRIGHT			NAME
		APVD: -		PRODUCT SPEC: 108-1066	SIZE: A2
				APPLICATION SPEC: 114-1049	CAGE CODE: 00779
MATERIAL: SEE TABLE	FINISH: SEE TABLE			WEIGHT: -	DRAWING NO: 1825094
					RESTRICTED TO: -
				CUSTOMER DRAWING	SCALE: 5:1
					SHEET 1 OF 1
					REV A