

1-2273035-3 ✓ ACTIVE

TE Internal #: 1-2273035-3

M8/M12 Cable Assemblies, Sensor/Actuator, 5 Position, A Keying Code, M12 Socket, M12 Pigtail, Straight Connector Orientation (End A), Length 5 m

[View on TE.com >](#)



Cable Assemblies > Copper Cable Assemblies > M8/M12 Cable Assemblies > M12 A-CODE FEMALE STRAIGHT PIGTAIL



M8/M12 Application Type: **Sensor/Actuator**

Number of Positions: **5**

Keying Code: **A**

Connector Type (End A): **M12 Socket**

Cable Assembly Type: **M12 Pigtail**

[All M12 A-CODE FEMALE STRAIGHT PIGTAIL \(56\)](#)

Features

Product Type Features

LED	Without
Product Type	Cable Assembly
Cable Type	PVC
Assembly Type	Pigtail
Connector Type (End A)	M12 Socket
Cable Assembly Type	M12 Pigtail

Configuration Features

Configuration Number	A
Number of Positions	5
Keying Code	A

Electrical Characteristics

Operating Voltage	125 VDC
-------------------	---------

Body Features

Cable Exit Angle	Straight
Environmental Protection	With
Wire Color	Brown, White, Blue, Black, Gray



Cable Jacket Color	Black
--------------------	-------

Insulation Material	PVC
---------------------	-----

Contact Features

Contact Current Rating	4 A
------------------------	-----

Mechanical Attachment

Screw & Hole Thread Size	M12
--------------------------	-----

Connector Orientation (End A)	Straight
-------------------------------	----------

Housing Features

Housing Material	Plastic
------------------	---------

Dimensions

Overall Outside Cable Diameter	5.2 mm [.204 in]
--------------------------------	------------------

Wire Size	.326 mm ²
-----------	----------------------

Usage Conditions

Operating Temperature Range	-30 – 80 °C [-22 – 176 °F]
-----------------------------	----------------------------

Operation/Application

M8/M12 Application Type	Sensor/Actuator
-------------------------	-----------------

Shielded	No
----------	----

Packaging Features

Packaging Method	Box
------------------	-----

Packaging Quantity	25
--------------------	----

Other

Field Serviceable	Yes
-------------------	-----

Cable Assembly Length	5 m
-----------------------	-----

Cable Assembly Configuration	Single Ended
------------------------------	--------------

Product Compliance

[For compliance documentation, visit the product page on TE.com>](#)

EU RoHS Directive 2011/65/EU	Compliant
------------------------------	-----------

EU ELV Directive 2000/53/EC	Compliant
-----------------------------	-----------

China RoHS 2 Directive MIIT Order No 32, 2016	No Restricted Materials Above Threshold
---	---

EU REACH Regulation (EC) No. 1907/2006	Current ECHA Candidate List: JAN 2022 (223)
--	---



Candidate List Declared Against: JAN 2022 (223)

Does not contain REACH SVHC

Halogen Content

Low Halogen - Br, Cl, F, I < 900 ppm per homogenous material. Also BFR/CFR/PVC Free

Solder Process Capability

Not applicable for solder process capability

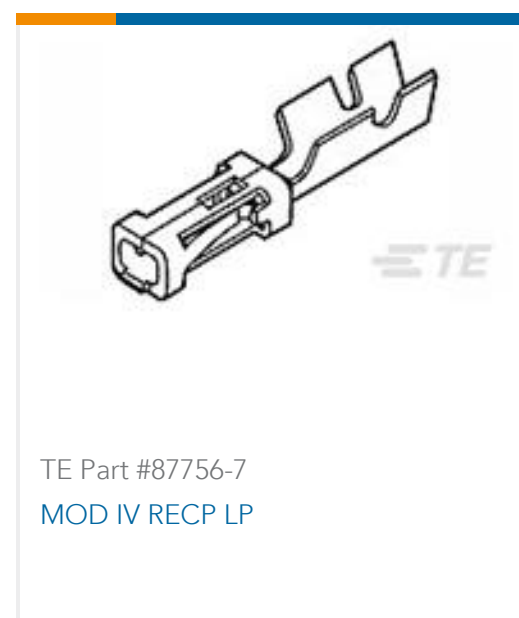
Product Compliance Disclaimer

This information is provided based on reasonable inquiry of our suppliers and represents our current actual knowledge based on the information they provided. This information is subject to change. The part numbers that TE has identified as EU RoHS compliant have a maximum concentration of 0.1% by weight in homogenous materials for lead, hexavalent chromium, mercury, PBB, PBDE, DBP, BBP, DEHP, DIBP, and 0.01% for cadmium, or qualify for an exemption to these limits as defined in the Annexes of Directive 2011/65/EU (RoHS2). Finished electrical and electronic equipment products will be CE marked as required by Directive 2011/65/EU. Components may not be CE marked. Additionally, the part numbers that TE has identified as EU ELV compliant have a maximum concentration of 0.1% by weight in homogenous materials for lead, hexavalent chromium, and mercury, and 0.01% for cadmium, or qualify for an exemption to these limits as defined in the Annexes of Directive 2000/53/EC (ELV). Regarding the REACH Regulation, the information TE provides on SVHC in articles for this part number is based on the latest European Chemicals Agency (ECHA) 'Guidance on requirements for substances in articles' posted at this URL: <https://echa.europa.eu/guidance-documents/guidance-on-reach>

Compatible Parts



Customers Also Bought





Documents

Product Drawings

M12 x 1.0 straight socket pigt A

English

CAD Files

3D PDF

3D

Customer View Model

[ENG_CVM_CVM_1-2273035-3_A.2d_dxf.zip](#)

English

Customer View Model

[ENG_CVM_CVM_1-2273035-3_A.3d_igs.zip](#)

English

Customer View Model

[ENG_CVM_CVM_1-2273035-3_A.3d_stp.zip](#)

English

By downloading the CAD file I accept and agree to the [Terms and Conditions](#) of use.

Datasheets & Catalog Pages

M8 / M12 Connector System Catalog

English

CONNECTIVITY SOLUTIONS FOR INFOTAINMENT APPLICATIONS

English

Product Specifications

Application Specification

English

1-2273035-3

M8/M12 Cable Assemblies, Sensor/Actuator, 5 Position, A Keying Code, M12 Socket,
M12 Pigtail, Straight Connector Orientation (End A), Length 5 m

