

1-338311-2 ✓ ACTIVE

AMPLIMITE | AMPLIMITE HDP-20

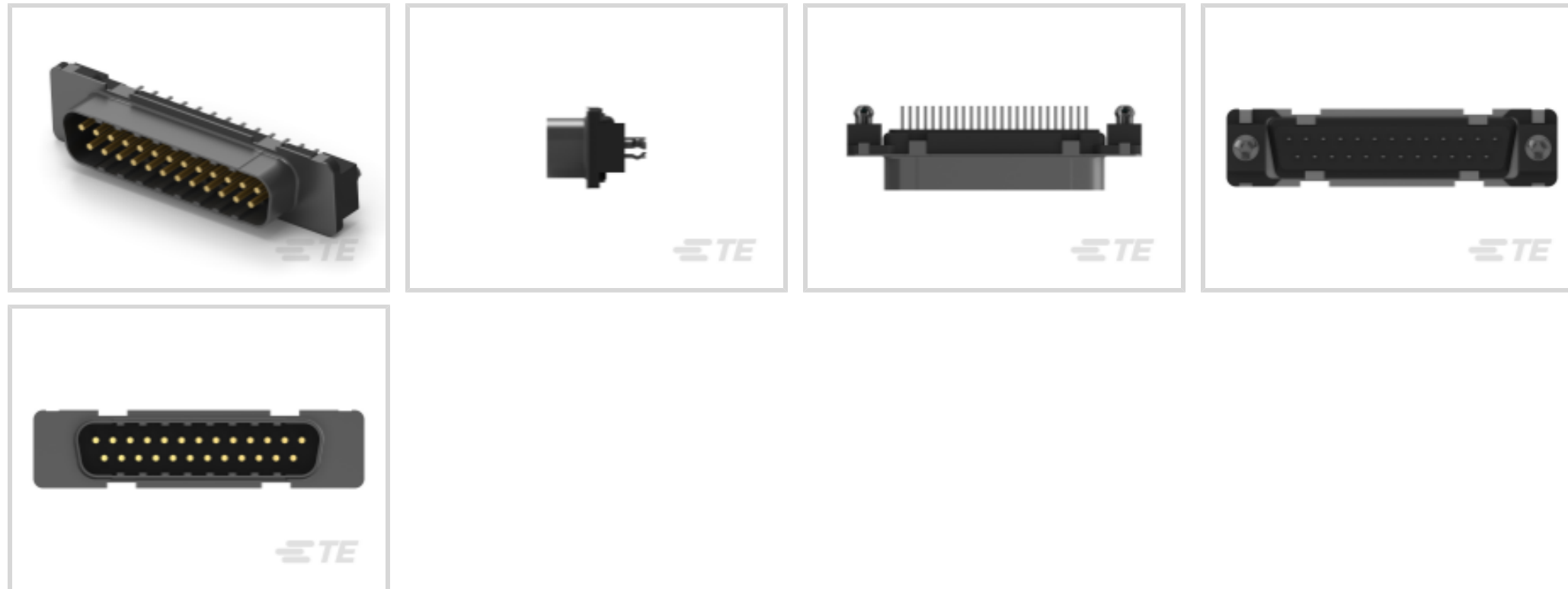
TE Internal #: 1-338311-2

AMPLIMITE HDP-20, PCB D-Sub Connectors, Plug, Cable-to-Board, 25 Position, .108 in [2.74 mm] Centerline, 2 Row, Size 3, Round, Standard Profile

[View on TE.com >](#)



Connectors > D-Shaped Connectors > D-Sub Connectors > PCB D-Sub Connectors > D-Sub Plug Assembly: Vertical, Shell Size 3, 2.74mm



Connector & Housing Type: **Plug**

Connector System: **Cable-to-Board**

Number of Positions: **25**

Centerline (Pitch): **2.74 mm [.108 in]**

Number of Rows: **2**

[All D-Sub Plug Assembly: Vertical, Shell Size 3, 2.74mm \(50\)](#)

Features

Product Type Features

| | |
|-----------------------------------|-----------------------|
| Grounding Straps | Without |
| Grounding Indents | Without |
| Grounded | No |
| Shell Type | Front Metal Shell |
| Connector & Housing Type | Plug |
| Connector System | Cable-to-Board |
| D-Sub Shell Size | 3 |
| Sealable | No |
| Connector & Contact Terminates To | Printed Circuit Board |
| Shielded | No |
| Product Type | Connector |

Configuration Features

| | |
|-------------------|---------|
| Performance Level | Level 2 |
|-------------------|---------|



| | |
|-----------------------|----------|
| Number of Positions | 25 |
| Number of Rows | 2 |
| PCB Mount Orientation | Vertical |
| Preloaded | Yes |

Body Features

| | |
|------------------------|----------|
| Plastic | No |
| Connector Profile | Standard |
| Color | Black |
| Shell Material | Steel |
| Shell Plating Material | Tin |

Contact Features

| | |
|---|-----------------|
| Contact Mating Area Plating Material | Gold |
| Contact Underplating Material | Nickel |
| PCB Contact Termination Area Plating Material | Tin |
| Contact Base Material | Phosphor Bronze |
| Contact Shape & Form | Round |
| Contact Current Rating (Max) | 6 A |
| | 30 μ in |

Termination Features

| | |
|---|-----------------------|
| Grounding Clips | Without |
| Termination Method to Printed Circuit Board | Through Hole - Solder |
| Termination Post Length | 3.2 mm[.126 in] |

Mechanical Attachment

| | |
|----------------------------|---------------------------|
| Panel Mount Feature | Without |
| PCB Mount Retention | With |
| PCB Mount Retention Type | Boardlock |
| Mating Retention | With |
| Mating Retention Type | Threaded Insert, 4-40 UNC |
| Connector Mounting Type | Board Mount |
| Boardlock Material | Phosphor Bronze |
| Boardlock Plating Material | Tin |
| Mounting Hole Diameter | 5 mm |



Housing Features

| | |
|--------------------|------------------------|
| Centerline (Pitch) | 2.74 mm [.108 in] |
| Housing Material | Glass Filled Polyester |
| Housing Color | Black |

Dimensions

| | |
|-----------------------------|-------------------|
| Row-to-Row Spacing | 2.84 mm [.112 in] |
| PCB Thickness (Recommended) | 1.6 mm [.063 in] |

Usage Conditions

| | |
|-----------------------------|-----------------------------|
| Operating Temperature Range | -55 – 105 °C [-67 – 221 °F] |
|-----------------------------|-----------------------------|

Operation/Application

| | |
|---------------------|--------|
| Circuit Application | Signal |
|---------------------|--------|

Industry Standards

| | |
|------------------------|-----------|
| Approved Standards | DIN 41652 |
| UL Flammability Rating | UL 94V-0 |

Packaging Features

| | |
|--------------------|------|
| Packaging Method | Tray |
| Packaging Quantity | 30 |

Product Compliance

[For compliance documentation, visit the product page on TE.com>](#)

| | |
|---|--|
| EU RoHS Directive 2011/65/EU | Compliant with Exemptions |
| EU ELV Directive 2000/53/EC | Compliant with Exemptions |
| China RoHS 2 Directive MIIT Order No 32, 2016 | Restricted Materials Above Threshold |
| EU REACH Regulation (EC) No. 1907/2006 | Current ECHA Candidate List: JAN 2022 (223) Candidate List Declared Against: JAN 2022 (223) SVHC > Threshold: Pb (.35% in Component Part) Article Safe Usage Statements: Do not eat, drink or smoke when using this product. Wash thoroughly after handling. Recycle if possible and dispose of the article by following all applicable governmental regulations relevant to your geographic location. |
| Halogen Content | Not Low Halogen - contains Br or Cl > 900 ppm. |
| Solder Process Capability | Wave solder capable to 265°C |



Product Compliance Disclaimer

This information is provided based on reasonable inquiry of our suppliers and represents our current actual knowledge based on the information they provided. This information is subject to change. The part numbers that TE has identified as EU RoHS compliant have a maximum concentration of 0.1% by weight in homogenous materials for lead, hexavalent chromium, mercury, PBB, PBDE, DBP, BBP, DEHP, DIBP, and 0.01% for cadmium, or qualify for an exemption to these limits as defined in the Annexes of Directive 2011/65/EU (RoHS2). Finished electrical and electronic equipment products will be CE marked as required by Directive 2011/65/EU. Components may not be CE marked. Additionally, the part numbers that TE has identified as EU ELV compliant have a maximum concentration of 0.1% by weight in homogenous materials for lead, hexavalent chromium, and mercury, and 0.01% for cadmium, or qualify for an exemption to these limits as defined in the Annexes of Directive 2000/53/EC (ELV). Regarding the REACH Regulation, the information TE provides on SVHC in articles for this part number is based on the latest European Chemicals Agency (ECHA) 'Guidance on requirements for substances in articles' posted at this URL: <https://echa.europa.eu/guidance-documents/guidance-on-reach>

Compatible Parts



TE Part # CAT-AM7-248H5
IDC D-Sub: Receptacle Assembly, Wire to Wire, Signal, 2.77 mm



TE Part # CAT-AM7-253
IDC D-Sub: Receptacle Assembly, Low Profile, Signal, 2.77 mm




TE Part # CAT-AM7-248H6
IDC D-Sub: Receptacle Kit, Wire to Wire, Signal, 2.74 mm



TE Part # 747548-8
KIT,RCPT,25P,HDE,SHLD HDWRE

Also in the Series | AMPLIMITE HDP-20



D-Sub Locking & Mounting(9)



PCB D-Sub Connectors(13)

Customers Also Bought



TE Part #1-338313-2
9POS.HD-20 REC.ASSY



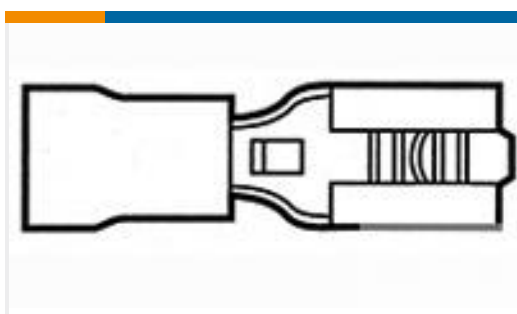
TE Part #1-338309-2
9P.HDP20 PLUG ASSY



TE Part #7-338069-8
MICRO-MATCH SMD FTE



TE Part #2-1761606-9
IDC LOW PRO HDR 26P VERT LG LA



TE Part #9-160483-5
187 PIDG FASTON REC



TE Part #4-2337939-6
PCIE GEN4 CON,SMT,64POS,15u",
MYLAR,ST



TE Part #5-2301995-4
RJ45 JACK INT.MAG. 1GB LED 1X1
VERT.



TE Part #1-1393243-0
RTE24024



TE Part #4-794634-2
12P MICRO MNL ASSY,VRT,SMT LF



TE Part #745286-3
LATCHING BLOCK SZ 1-4 BULK

Documents

Product Drawings

25POS.HD20 PLUG ASS

English

CAD Files

Customer View Model

[ENG_CVM_CVM_1-338311-2_E.2d_dxf.zip](#)

English

3D PDF

3D

Customer View Model

[ENG_CVM_CVM_1-338311-2_E.3d_igs.zip](#)

English

Customer View Model

[ENG_CVM_CVM_1-338311-2_E.3d_stp.zip](#)

English

By downloading the CAD file I accept and agree to the [Terms and Conditions](#) of use.

Product Environmental Compliance

[MD_1-338311-2_072420171314_dmtec](#)

English

[MD_1-338311-2_072420171314_dmtec](#)

English