

1-953042-6 ✓ ACTIVE

AMP | Timer Connector System

TE Internal #: 1-953042-6

Timer Connector System, Housing for Female Terminals, Wire-to-Wire, 31 Position, .157 in / .299 in / .256 in [6.5 mm / 4 mm / 7.6 mm]

Centerline

[View on TE.com >](#)



Connectors > Automotive Connectors > Connector Housings > TIMER, CONNECTOR HOUSING



Connector & Housing Type: **Housing for Female Terminals**

Mating Tab Width: **1.6 mm, 4.8 mm [ .063 in, .189 in ]**

Connector System: **Wire-to-Wire**

Number of Positions: **31**

Centerline (Pitch): **4 mm, 6.5 mm, 7.6 mm [ .157 in, .256 in, .299 in ]**

[All TIMER, CONNECTOR HOUSING \(538\)](#)

## Features

### Product Type Features

Connector & Housing Type	Housing for Female Terminals
Connector System	Wire-to-Wire
Sealable	Yes
Hybrid Connector	Yes
Primary Locking Feature	On the Terminal

### Configuration Features

Number of Positions	31
Number of Rows	3

### Electrical Characteristics

Operating Voltage	14 VDC
Nominal Voltage Architecture	12 V

### Body Features



Cable Exit Angle	180°
Body Material	PBT GF
Primary Product Color	Black

#### Contact Features

Mating Tab Width	1.6 mm, 4.8 mm [.063 in] [.189 in]
------------------	------------------------------------

#### Mechanical Attachment

Mounting Feature	Without
Terminal Position Assurance	Yes
Strain Relief	Add By Accessory
Mating Alignment Type	Polarized

#### Housing Features

Centerline (Pitch)	4 mm, 6.5 mm, 7.6 mm [.157 in] [.256 in] [.299 in]
--------------------	--

#### Usage Conditions

Operating Temperature (Max)	70 °C, 75 °C, 80 °C, 85 °C, 90 °C, 100 °C [158 °F][167 °F][176 °F][185 °F][194 °F][212 °F]
Operating Temperature Range	-40 – 100 °C [-40 – 212 °F]

#### Operation/Application

Circuit Application	Signal
---------------------	--------

#### Industry Standards

Degree of Protection	IP67
UL Flammability Rating	UL 94HB

#### Other

Serviceable	Yes
Connector Position Assurance Capable	No

#### Product Compliance

[For compliance documentation, visit the product page on TE.com>](#)

EU RoHS Directive 2011/65/EU	Compliant
EU ELV Directive 2000/53/EC	Compliant
China RoHS 2 Directive MIIT Order No 32, 2016	No Restricted Materials Above Threshold
EU REACH Regulation (EC) No. 1907/2006	



Current ECHA Candidate List: JAN 2022  
(223)  
Candidate List Declared Against: JAN 2021  
(211)  
SVHC > Threshold:  
Not Yet Reviewed

Halogen Content	BFR/CFR/PVC Free, but Br/Cl >900 ppm in other sources.
Solder Process Capability	Not reviewed for solder process capability

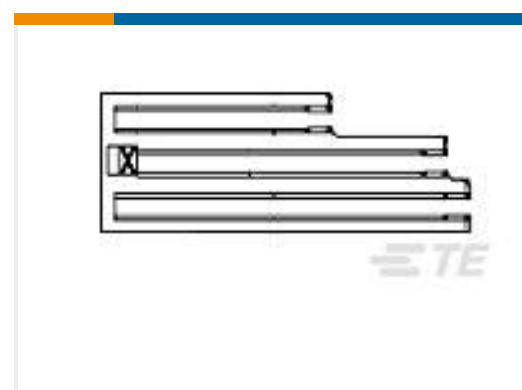
Product Compliance Disclaimer

This information is provided based on reasonable inquiry of our suppliers and represents our current actual knowledge based on the information they provided. This information is subject to change. The part numbers that TE has identified as EU RoHS compliant have a maximum concentration of 0.1% by weight in homogenous materials for lead, hexavalent chromium, mercury, PBB, PBDE, DBP, BBP, DEHP, DIBP, and 0.01% for cadmium, or qualify for an exemption to these limits as defined in the Annexes of Directive 2011/65/EU (RoHS2). Finished electrical and electronic equipment products will be CE marked as required by Directive 2011/65/EU. Components may not be CE marked. Additionally, the part numbers that TE has identified as EU ELV compliant have a maximum concentration of 0.1% by weight in homogenous materials for lead, hexavalent chromium, and mercury, and 0.01% for cadmium, or qualify for an exemption to these limits as defined in the Annexes of Directive 2000/53/EC (ELV). Regarding the REACH Regulation, the information TE provides on SVHC in articles for this part number is based on the latest European Chemicals Agency (ECHA) 'Guidance on requirements for substances in articles' posted at this URL: <https://echa.europa.eu/guidance-documents/guidance-on-reach>

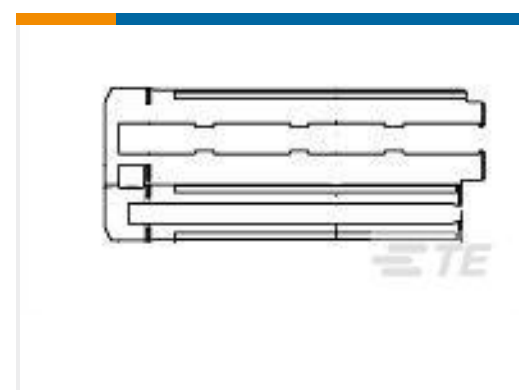
### Compatible Parts



TE Part # 953040-1  
VERTIC COVER 31W HYB CONN



TE Part # 953047-1  
MT SEC LOCK 31W HYB CONN

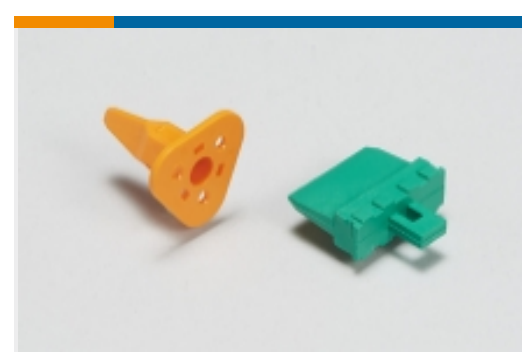


TE Part # 953048-1  
MT/SPT SEC LOCK 31W CONN


### Also in the Series | Timer Connector System




Automotive Connector Caps & Covers  
(11)



Automotive Connector Locks & Position Assurance(16)



Automotive Housings(216)



Automotive Seals & Cavity Plugs(31)



Automotive Terminals(140)



Crimp Terminal Housings(13)



Insertion & Extraction Tools(20)



Other Automotive Connector Accessories(1)



PCB Headers & Receptacles(78)



Quick Disconnects(4)

## Customers Also Bought



TE Part #1-967622-5  
JUN-POW-TIM GEH 12P



TE Part #HDP26-24-47SE-L017  
PLG, 47P, BLK, E, RNG, 16/20, S



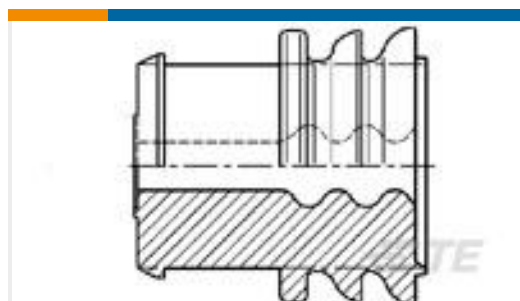
TE Part #927836-1  
TIMER, RECEPTACLE AND TAB



TE Part #1062-20-0377  
SOC, SF, SIZE 20, 16-22, SLEVLSS, SN /SN



TE Part #DT8S-BT-BK  
BOOT, 8P, PLG, ST, BLK



TE Part #963243-1  
EINZELDRAHTDICHTUNG



TE Part #YACT24JC04PNV00100  
JAM NUT RECEPTACLE



TE Part #YACT24JC04SNV00100  
JAM NUT RECEPTACLE



TE Part #1010-038-0606  
SEAL, INTF, 6P, RED-ORG, DTM

## Documents



### Product Drawings

[31W HYB TIMER CONN](#)

English

[31W HYB TIMER CONN](#)

English

---

### CAD Files

[3D PDF](#)

English

[Customer View Model](#)

[ENG\\_CVM\\_1-953042-6\\_Y.2d\\_dxf.zip](#)

English

[Customer View Model](#)

[ENG\\_CVM\\_1-953042-6\\_Y.3d\\_igs.zip](#)

English

[Customer View Model](#)

[ENG\\_CVM\\_1-953042-6\\_Y.3d\\_stp.zip](#)

English

By downloading the CAD file I accept and agree to the [Terms and Conditions](#) of use.

---

### Datasheets & Catalog Pages

[Timer Interconnection System](#)

English

---

### Product Specifications

[CONNECTEUR 31 VOIES ABS POUR CONTACT MICRO-TIMER II ET STANDARD-POWER-TIMER](#)

English

[Product Specification](#)

English

---

### Instruction Sheets

[Instruction Sheet \(non U.S.\)](#)

French