

1-967626-6 ✓ ACTIVE

AMP | Timer Connector System

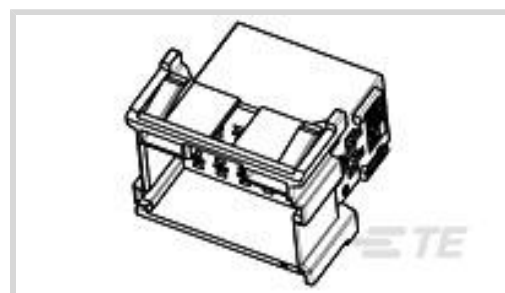
TE Internal #: 1-967626-6

Timer Connector System, Housing for Male Terminals, Wire-to-Wire, 9 Position, .197 in [5 mm] Centerline, Green, Signal, -40 – 248 °F [-40 – 120 °C]

[View on TE.com >](#)



Connectors > Automotive Connectors > Connector Housings > TIMER, CONNECTOR HOUSING



Connector & Housing Type: **Housing for Male Terminals**

Mating Tab Width: **2.8 mm [ .11 in ]**

Connector System: **Wire-to-Wire**

Number of Positions: **9**

Centerline (Pitch): **5 mm [ .197 in ]**

[All TIMER, CONNECTOR HOUSING \(538\)](#)

## Features

### Product Type Features

Connector & Housing Type	Housing for Male Terminals
Connector System	Wire-to-Wire
Sealable	No
Hybrid Connector	No
Primary Locking Feature	On the Terminal

### Configuration Features

Number of Positions	9
Number of Rows	3

### Electrical Characteristics

Operating Voltage	28 VDC
Nominal Voltage Architecture	12 V, 24 V

### Body Features

Cable Exit Angle	180°
Body Material	PA GF
Primary Product Color	Green
Connector Code	A

### Contact Features

Mating Tab Width	2.8 mm[.11 in]
------------------	----------------

### Mechanical Attachment

Mounting Feature	Without
Terminal Position Assurance	No
Strain Relief	No
Mating Alignment Type	Polarized

### Housing Features

Centerline (Pitch)	5 mm[.197 in]
--------------------	---------------

### Dimensions

Product Width	35.45 mm[1.396 in]
Product Length	22.5 mm[.886 in]
Product Height	30.6 mm[1.205 in]

### Usage Conditions

Operating Temperature (Max)	70 °C, 75 °C, 80 °C, 85 °C, 90 °C, 100 °C, 105 °C, 110 °C, 120 °C[158 °F][167 °F][176 °F][185 °F][194 °F][212 °F][221 °F][230 °F][248 °F]
Operating Temperature Range	-40 – 120 °C[-40 – 248 °F]

### Operation/Application

Circuit Application	Signal
---------------------	--------

### Packaging Features

Packaging Method	Bag
------------------	-----

### Other

Serviceable	No
Connector Position Assurance Capable	No

### Product Compliance

[For compliance documentation, visit the product page on TE.com>](#)

EU RoHS Directive 2011/65/EU	Compliant
EU ELV Directive 2000/53/EC	Compliant
China RoHS 2 Directive MIIT Order No 32, 2016	No Restricted Materials Above Threshold
EU REACH Regulation (EC) No. 1907/2006	



Current ECHA Candidate List: JAN 2022  
(223)  
Candidate List Declared Against: JAN 2022  
(223)  
Does not contain REACH SVHC

Halogen Content  
BFR/CFR/PVC Free, but Br/Cl >900 ppm in other sources.

Solder Process Capability  
Not applicable for solder process capability

Product Compliance Disclaimer

This information is provided based on reasonable inquiry of our suppliers and represents our current actual knowledge based on the information they provided. This information is subject to change. The part numbers that TE has identified as EU RoHS compliant have a maximum concentration of 0.1% by weight in homogenous materials for lead, hexavalent chromium, mercury, PBB, PBDE, DBP, BBP, DEHP, DIBP, and 0.01% for cadmium, or qualify for an exemption to these limits as defined in the Annexes of Directive 2011/65/EU (RoHS2). Finished electrical and electronic equipment products will be CE marked as required by Directive 2011/65/EU. Components may not be CE marked. Additionally, the part numbers that TE has identified as EU ELV compliant have a maximum concentration of 0.1% by weight in homogenous materials for lead, hexavalent chromium, and mercury, and 0.01% for cadmium, or qualify for an exemption to these limits as defined in the Annexes of Directive 2000/53/EC (ELV). Regarding the REACH Regulation, the information TE provides on SVHC in articles for this part number is based on the latest European Chemicals Agency (ECHA) 'Guidance on requirements for substances in articles' posted at this URL: <https://echa.europa.eu/guidance-documents/guidance-on-reach>

### Compatible Parts



TE Part # 1-967621-6  
JUN-POW-TIM GEH 9P



TE Part # CAT-AM705-CH8173  
AMP MCP, UNSEALED CONNECTOR HOUSING




TE Part # CAT-T4827-T273  
TIMER, RECEPTACLE AND TAB



TE Part # 967631-1  
2. KONT-SICHERUNG 9P


### Also in the Series | Timer Connector System




Automotive Connector Caps & Covers (11)



Automotive Connector Locks & Position Assurance(16)



Automotive Housings(216)



Automotive Seals & Cavity Plugs(31)



Automotive Terminals(140)



Crimp Terminal Housings(13)



Insertion & Extraction Tools(20)



Other Automotive Connector Accessories(1)



PCB Headers & Receptacles(78)

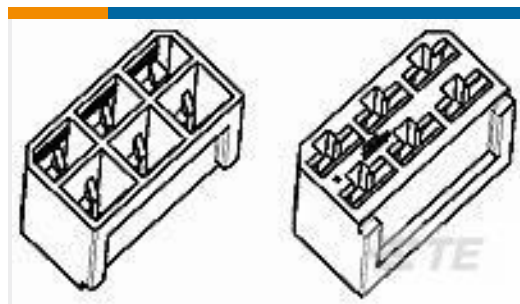


Quick Disconnects(4)

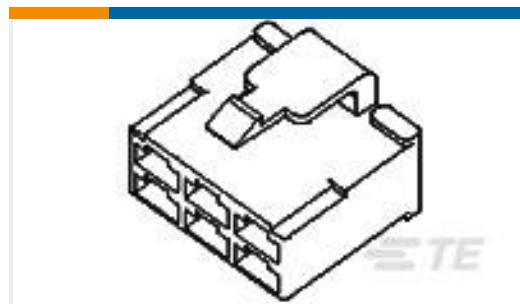
## Customers Also Bought



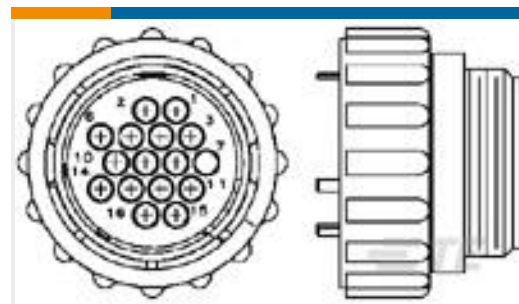
TE Part #1-1414286-0  
V23134J0052X439-EV-CBOX



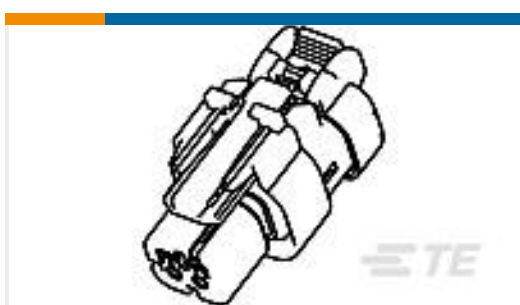
TE Part #280314  
FF 250 REC HSG 6P NYLON CLEAR



TE Part #171898-1  
FF 250 PLUG HSG 6P NYLON NAT



TE Part #206037-3  
CPC PLUG ASSEMBLY SZ 17-16



TE Part #776427-3  
AS 16, 2P PLUG ASSY, KEY 3



TE Part #1-967628-4  
FLACHSTE-GEH2,8 15P



TE Part #1241376-1  
AMP MCP 1.5K, CONTACT



TE Part #40668  
RING TERMINAL 22-16 AWG BR



TE Part #1544316-2  
JOINT ORANGE G3

## Documents



### Product Drawings

[TAB HOUSING, 2,8MM 9POS.](#)

English

[TAB HOUSING, 2,8MM 9POS.](#)

English

---

### CAD Files

[3D PDF](#)

3D

Customer View Model

[ENG\\_CVM\\_CVM\\_1-967626-6\\_G.2d\\_dxf.zip](#)

English

Customer View Model

[ENG\\_CVM\\_CVM\\_1-967626-6\\_G.3d\\_igs.zip](#)

English

Customer View Model

[ENG\\_CVM\\_CVM\\_1-967626-6\\_G.3d\\_stp.zip](#)

English

By downloading the CAD file I accept and agree to the [Terms and Conditions](#) of use.

---

### Datasheets & Catalog Pages

[Timer Interconnection System](#)

English

---

### Product Specifications

[Application Specification](#)

English