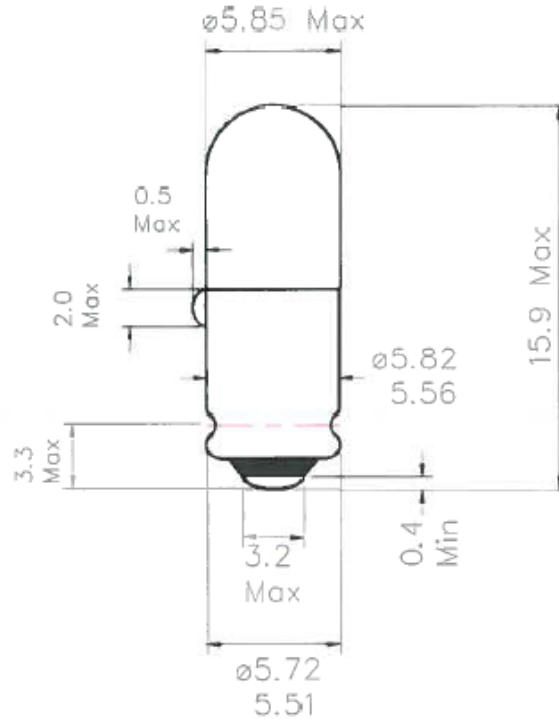


Type	Size	Rating	Description	Part No.
Incandescent	T6	60V 0.02A	T-1 3/4 Midget Groove Lamp	799-1



Drawing Not To Scale
All Dimensions In mm

PHOTOMETRY DATA

TEST VOLTS	CURRENT (mA)			LIGHT OUTPUT (Lm)			LIFE (Hours)
	Min.	Nom.	Max.	Min.	Nom.	Max.	
60.0	18	20	22	1.3	2.2	3.1	5,000

70290682 Mftr # 10-1320.1179

NOTES:

- 1) Nickel-plated S5.7s/8 base to IEC 61-1, (BS EN60061-1), sheet 7004-62-x.
- 2) CC-2F filament shape.
- 3) Lamp Marking: "VCH 799 60V 20mA", to be engraved on the cap shell. Other marking as according to purchase order.
- 4) **Product should conform with standards and directives SI 1994/3260, 73/23/EEC and 93/68/EEC. The packaging should be CE marked as proof of this conformity.**