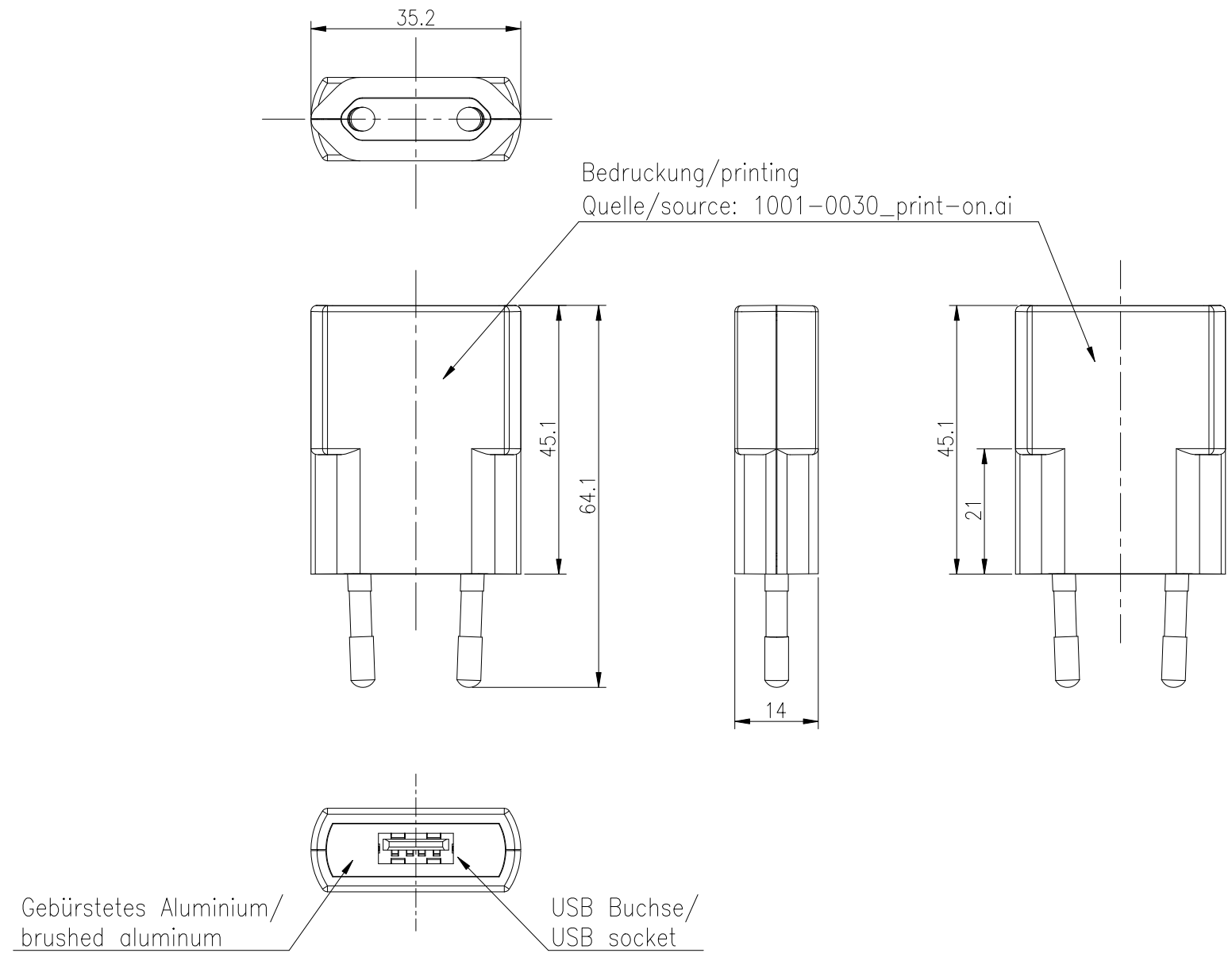


The supplier acknowledges that, with the acceptance of the drawing, he is in a position to manufacture the illustrated part in accordance with the drawing in reproducible form and series production. Through the selected manufacturing processes no impairments will arise in the material and structure which could subsequently lead to an impairment of the component. Verbal agreements over and above that are not valid. Deviations from this rule must be written and must be signed by the purchaser.

This drawing may not be copied, reproduced or made available to third parties in any way whatsoever without or prior written approval.

Technische Daten Netzteil/
technical data power supply

- Eingangsspannung/
input voltage : 100–240V ±5% 60/50Hz 150mA
- Ausgangsspannung/
output voltage : 5V ±5% stabilisiert/regulated
- Ausgangsstrom/
output current : 1x 1200mA
- Leistungsaufnahme im Leerlauf/
stand-by power consumption : <0,3W
- Schutzart/
protection : IP 40
- Ausgangs-Schutz
output electrical protection : Kurzschluss/
short circuit
- Isolation/
insulation : 4 kV Eingang/Ausgang
primary/secondary
- Betriebstemperatur/
operating temperature : 0°C.....+25°C
- Lagertemperatur/
storage temperature : -25°C.....+70°C
- Gewicht/
weight : 26g ±5g
- Gehäuse/
housing : Steckergehäuse schwarz/
plug-in case black
- Gehäusematerial/
housing material : ABS plastic
- Approbation/
approval : CE



Application range for inquiry				Allowable deviation general tolerances		Surface		Model:		Material:	
				DIN ISO 2768-m				Scale (DIN A3): 1:1		All dimensions in mm	
				2015		Date		Name		Weight:	
				Drawn by		02.07		JF		Drawing name	
				Approved by						ACDC-iUSBCHARGER-1.2-SINGLE	
V0 input voltage changed				07.12.15		JF		Drawing number		Sheet	
V0 printing changed				10.08.15		SIT		Part number		1001-0030	
V0 ---				02.07.15		JF				1/1	
Version		Change		Date		Name		Project: xx-xxx-xxxx		Replaced by:	
										Replacement through:	

