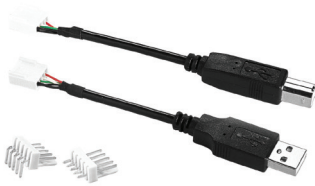
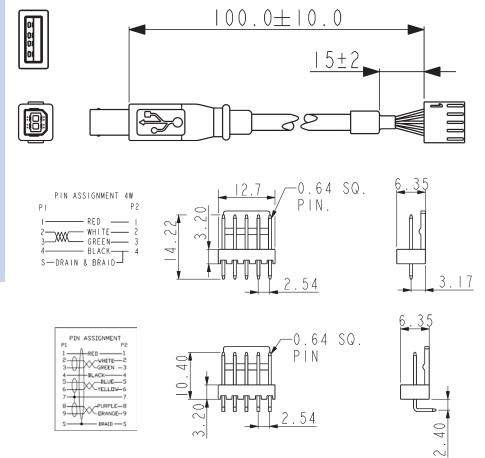


PCB Adaptor Leads



- Standard A and B type USB 2.0 connectors to 5-way crimp adaptor leads
- 5 way-headers, 2.54mm pitch, horizontal or vertical mounting
- Standard A type USB 3.0 to 10-way crimp adaptor leads

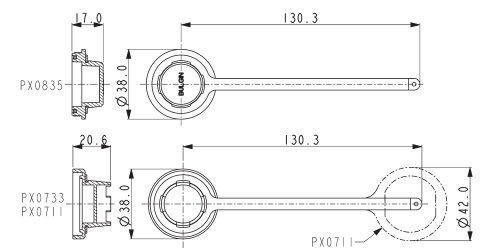


Part no.	Description
14193	USB 2.0 'A' type to 5-way crimp connector
14194	USB 2.0 'B' type to 5-way crimp connector
100286	USB 3.0 'A' type to 10-way crimp connector
14191	5-way PCB header straight
14192	5-way PCB header right angle
100287	10-way PCB header straight
100288	10-way PCB header right angle

Accessories



- Sealing caps to maintain IP68 rating when connectors are not in use
- PX0835 for cable connectors PX0840 & PX0841
- PX0733 for front panel mount connectors PX0842, PX0843 & PX0844
- PX0711 for rear panel mount connectors PX0848, PX0849 & PX0845



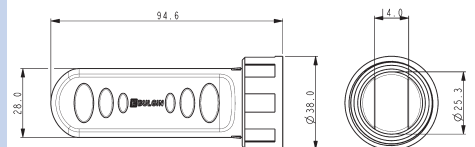
Part no.	Description
PX0835	Sealing Cap for cable connectors (PX0840, PX0841)
PX0733	Sealing Cap for front panel mounting connector (PX0842, PX0843 & PX0844)
PX0711	Sealing Cap for rear panel mounting connector (PX0848, PX0849, PX0845)

USB Flash Drive Cover



PX0852

- For use with USB Flash Drives
- Maintains IP68 rating when mated with panel connector
- For use with 'A' type connectors: PX0842, PX0843, PX0845, PX0848 & PX0849
- Internal accommodation 17.5 x 14.0 x 83mm approx.



Screening Can



PX0465

- Maintains cable screening directly to panel
- Screening can clips around the panel fixing nut
- For use on PX0460/A, PX0460/B and PX0360/A3

