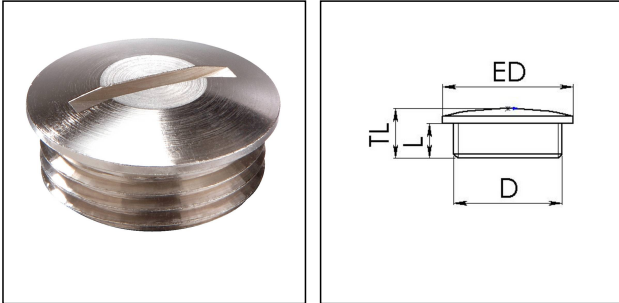


## MVS 13,5

Stop end, brass



Products may differ in size, colour and appearance to those shown. If you require further information or customisation, please contact us directly.



<b>Material</b>	Brass nickel-plated
<b>Surface</b>	Nickel-plated
<b>Temp. range min</b>	-200 °C
<b>Temp. range max</b>	250 °C
<b>Protection class</b>	IP54
<b>Thread type</b>	PG
<b>Ø Connection thread D</b>	13,5
<b>Length screw-in thread L</b>	6,5 mm
<b>External diameter ED</b>	22 mm
<b>Total length TL</b>	9,5 mm
<b>Advice</b>	with O-ring IP66/IP68
<b>Order no. nickel-plated</b>	10062154
<b>Type</b>	MVS 13,5
<b>Packing unit</b>	100
<b>EAN number</b>	4007685621540
<b>Tariff number</b>	74198090
<b>ETIM-Classification</b>	EC000032

### Recommended accessories

<b>MMU 13,5</b>	10062144
-----------------	----------

16.08.2023

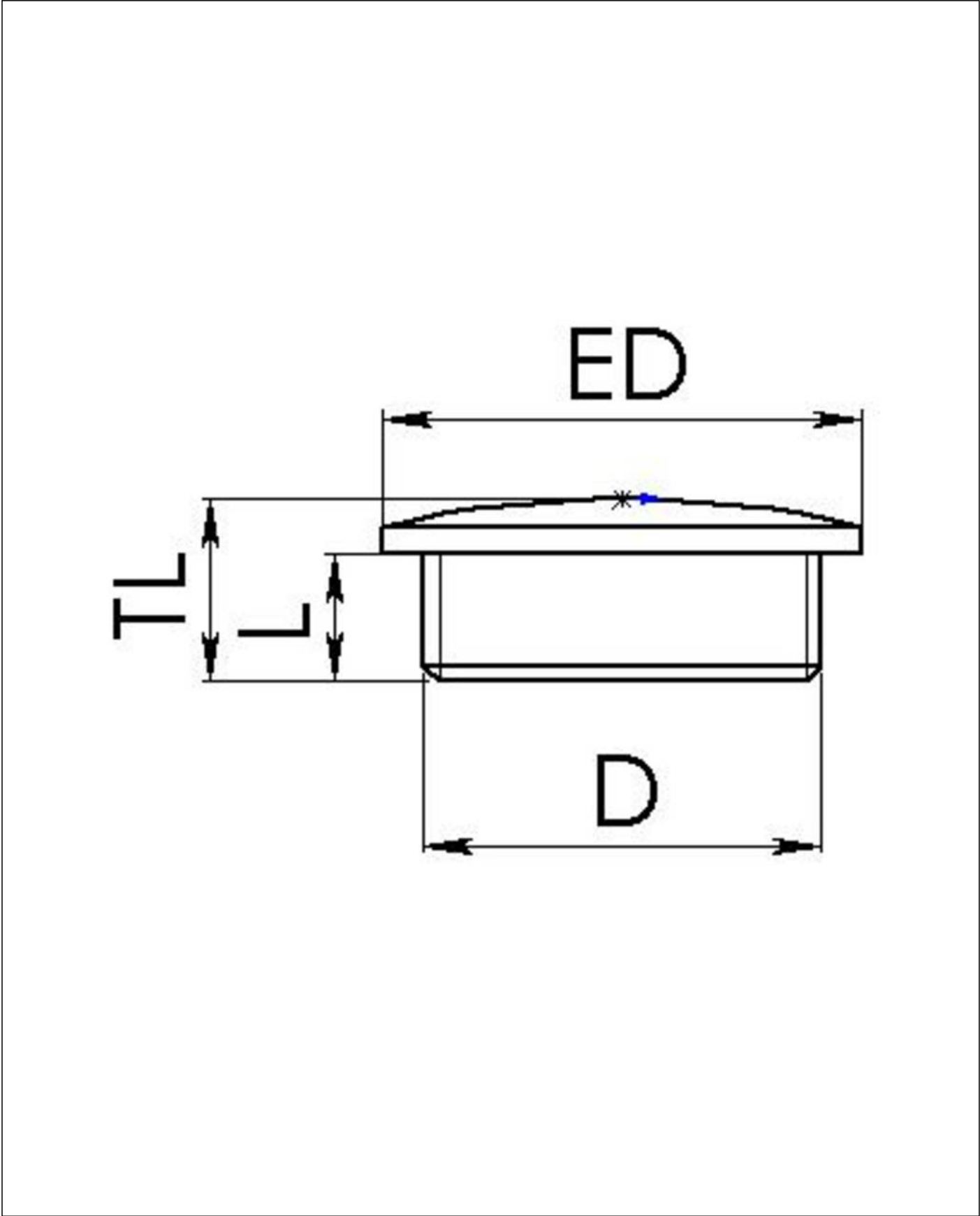
Your Contact:

**WISKA UK Ltd.**

Unit 7, Hurling Way · St. Columb Major Business Park · TR9 6SX, St. Columb Major, Cornwall · Great Britain

☎ +44-12-08816062 · 📠 +44-12-08816708

info@wiska.co.uk · www.wiska.co.uk



Your Contact:  
**WISKA UK Ltd.**  
Unit 7, Hurling Way · St. Columb Major Business Park · TR9 6SX, St. Columb Major, Cornwall · Great Britain  
☎ +44-12-08816062 · 📠 +44-12-08816708  
info@wiska.co.uk · www.wiska.co.uk