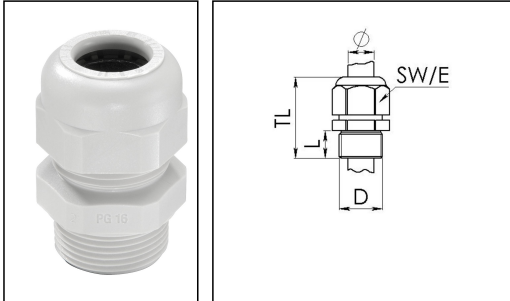


SKV 11 LG

Cable gland, polyamide



Products may differ in size, colour and appearance to those shown. If you require further information or customisation, please contact us directly.



| | |
|---------------------------------|---------------------|
| Material cable gland | Polyamide |
| Material sealing gasket | EPDM |
| Protection class | IP68 (5 bar 30 min) |
| Temp. range min | -40 °C |
| Temp. range max | 100 °C |
| Glow wire test | 750 °C |
| Thread type | PG |
| Ø Connection thread D | 11 |
| Length screw-in thread L | 9 mm |
| Ø cable diameter min | 5 mm |
| Ø cable diameter max | 10 mm |
| Key width SW | 22 mm |
| Collar diameter (E) | 24 mm |
| Total length TL | 33 mm - 39 mm |
| Type of cable anchorage | A |
| Type | SKV 11 LG |
| Product Color | RAL 7035 |
| Order no. RAL 7035 | 10066402 |
| Packing unit | 50 |
| Tariff number | 39269097 |
| EAN number | 4007685664028 |
| ETIM-Classification | EC000441 |

Your Contact:

WISKA UK Ltd.

Unit 7, Hurling Way · St. Columb Major Business Park · TR9 6SX, St. Columb Major, Cornwall · Great Britain

☎ +44-12-08816062 · 📠 +44-12-08816708

info@wiska.co.uk · www.wiska.co.uk

Recommended accessories

| | |
|------------------|----------|
| MUG 11 LG | 10060672 |
| ADR 11 | 10061421 |
| BS 10 | 10064008 |

16.08.2023

Your Contact:

WISKA UK Ltd.

Unit 7, Hurling Way · St. Columb Major Business Park · TR9 6SX, St. Columb Major, Cornwall · Great Britain

 +44-12-08816062 ·  +44-12-08816708

info@wiska.co.uk · www.wiska.co.uk



Your Contact:

WISKA UK Ltd.

Unit 7, Hurling Way · St. Columb Major Business Park · TR9 6SX, St. Columb Major, Cornwall · Great Britain

☎ +44-12-08816062 · 📠 +44-12-08816708

info@wiska.co.uk · www.wiska.co.uk