

LinkIt™ Smart 7688 Duo

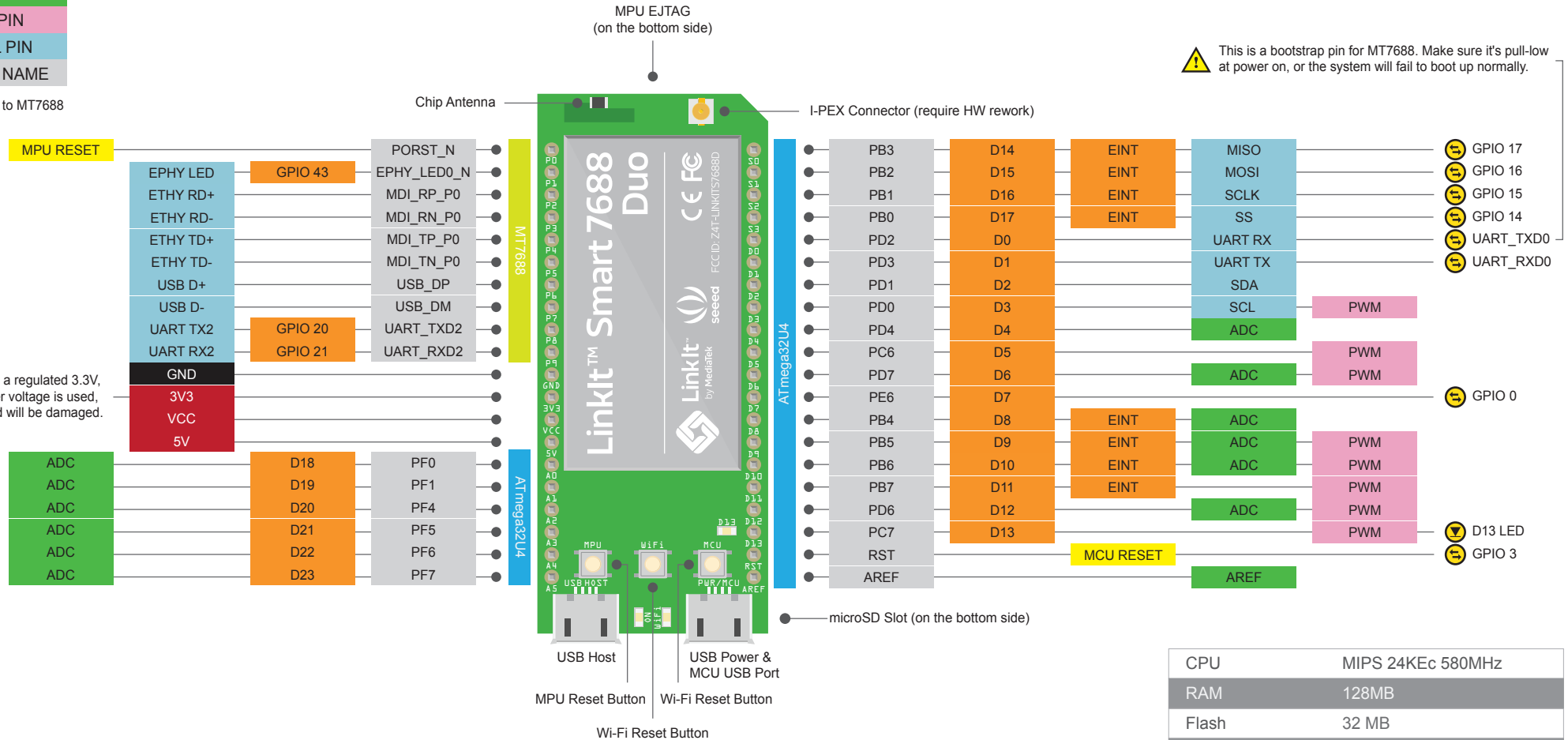


GND
POWER
CONTROL
DIGITAL PIN
ANALOG PIN
PWM PIN
SERIAL PIN
CHIP PIN NAME

⊖ Connected to MT7688

⚠ Requires a regulated 3.3V, if a higher voltage is used, the board will be damaged.

⚠ This is a bootstrap pin for MT7688. Make sure it's pull-up at power on, or the system will fail to boot up normally.



CPU	MIPS 24KEc 580MHz
RAM	128MB
Flash	32 MB
Wi-Fi	1T1R 802.11 b/g/n (2.4G)
Ethernet	10/100Mbps
SD	SD-XC
USB	USB 2.0 Host
MCU	ATmega32U4 8MHz