

SK 14-D VPE 100/1 - Shield connection clamp



1030551

<https://www.phoenixcontact.com/pc/products/1030551>

Please be informed that the data shown in this PDF document is generated from our online catalog. Please find the complete data in the user documentation. Our general terms of use for downloads are valid.



Shield connection terminal block, for direct shield on conductive mounting panels, sheet thickness 1 mm ... 2 mm

Your advantages

- Easy handling
- Spring-loaded, large-surface pressure plate
- Suitable for direct and busbar mounting
- Knurled screw

Commercial data

Item number	1030551
Packing unit	100 pc
Minimum order quantity	100 pc
Product key	BE7511
GTIN	4055626534312
Weight per piece (including packing)	22.9 g
Weight per piece (excluding packing)	22.738 g
Customs tariff number	85369010
Country of origin	DE

SK 14-D VPE 100/1 - Shield connection clamp



1030551

<https://www.phoenixcontact.com/pc/products/1030551>

Technical data

Product properties

Product type	Shield connection clamp
Pitch	17 mm
Number of connections	1
Number of rows	1

Electrical properties

Maximum power dissipation for nominal condition	0 W
---	-----

Connection data

Grounding foot	Yes
Screw thread	M4
Tightening torque	... 0.8 Nm

Dimensions

Dimensional drawing	
Width	17 mm
Height	19.5 mm
Depth	57.8 mm
Pitch	17 mm

External dimensions

Outside diameter	3 mm ... 14 mm
------------------	----------------

Material specifications

Color	silver
-------	--------

Cable/line

External cable diameter	3 mm ... 14 mm
-------------------------	----------------

Mounting

Mounting type	direct screw connection
---------------	-------------------------

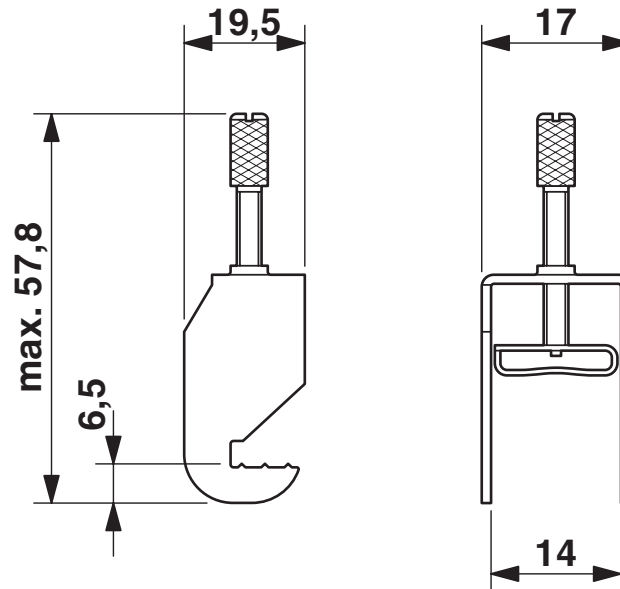
SK 14-D VPE 100/1 - Shield connection clamp

1030551

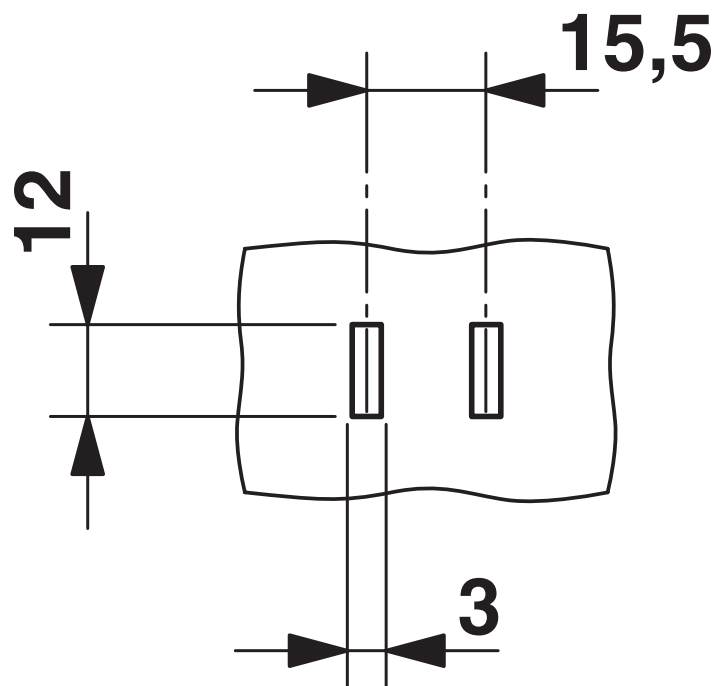
<https://www.phoenixcontact.com/pc/products/1030551>

Drawings

Dimensional drawing



Dimensional drawing



Punching template

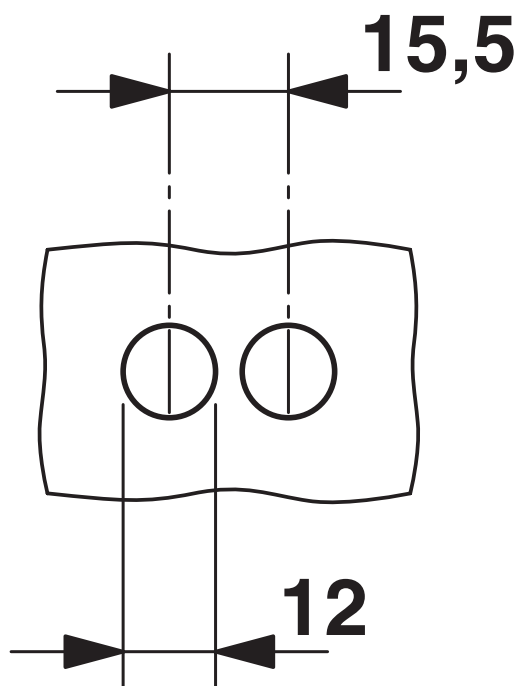
SK 14-D VPE 100/1 - Shield connection clamp

1030551

<https://www.phoenixcontact.com/pc/products/1030551>



Dimensional drawing



Drilling diagram

SK 14-D VPE 100/1 - Shield connection clamp



1030551

<https://www.phoenixcontact.com/pc/products/1030551>

Classifications

ECLASS

ECLASS-11.0	27141150
ECLASS-12.0	27141150
ECLASS-13.0	27250309

ETIM

ETIM 9.0	EC002020
----------	----------

UNSPSC

UNSPSC 21.0	39121400
-------------	----------

SK 14-D VPE 100/1 - Shield connection clamp



1030551

<https://www.phoenixcontact.com/pc/products/1030551>

Environmental product compliance

China RoHS	Environmentally friendly use period: unlimited = EFUP-e
	No hazardous substances above threshold values

SK 14-D VPE 100/1 - Shield connection clamp

1030551

<https://www.phoenixcontact.com/pc/products/1030551>



Accessories

AB-SK - Support bracket

3025341

<https://www.phoenixcontact.com/pc/products/3025341>

Support bracket for busbars



AB/SS - Support bracket

0404428

<https://www.phoenixcontact.com/pc/products/0404428>

Support bracket made from insulation material, with retaining screw, can be used with either 3 x 10 mm or 6 x 6 mm busbar, color: gray



SK 14-D VPE 100/1 - Shield connection clamp

1030551

<https://www.phoenixcontact.com/pc/products/1030551>

AK 4 - Connection terminal block

0404017

<https://www.phoenixcontact.com/pc/products/0404017>



Connection terminal block, connection method: Screw connection, Rated cross section: 4 mm², cross section: 0.5 mm² - 6 mm², mounting: Neutral busbar, color: silver

AKG 4 GNYE - Connection terminal block

0421029

<https://www.phoenixcontact.com/pc/products/0421029>



Connection terminal block, nom. voltage: 300 V, nominal current: 41 A, connection method: Screw connection, Rated cross section: 4 mm², cross section: 0.5 mm² - 6 mm², mounting: Neutral busbar, color: green-yellow

SK 14-D VPE 100/1 - Shield connection clamp

1030551

<https://www.phoenixcontact.com/pc/products/1030551>



AKG 4 BK - Connection terminal block

0421032

<https://www.phoenixcontact.com/pc/products/0421032>



Connection terminal block, nom. voltage: 300 V, nominal current: 41 A, connection method: Screw connection, Rated cross section: 4 mm², cross section: 0.5 mm² - 6 mm², mounting: Neutral busbar, color: black

Phoenix Contact 2024 © - all rights reserved

<https://www.phoenixcontact.com>

PHOENIX CONTACT GmbH & Co. KG

Flachsmarktstraße 8

D-32825 Blomberg

+49 (0) 5235-3 00

info@phoenixcontact.com