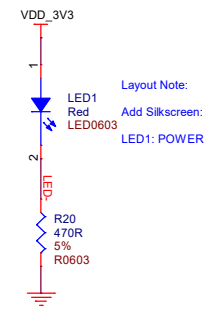
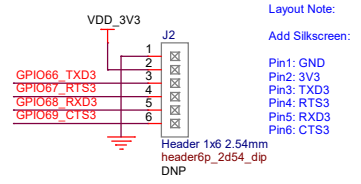
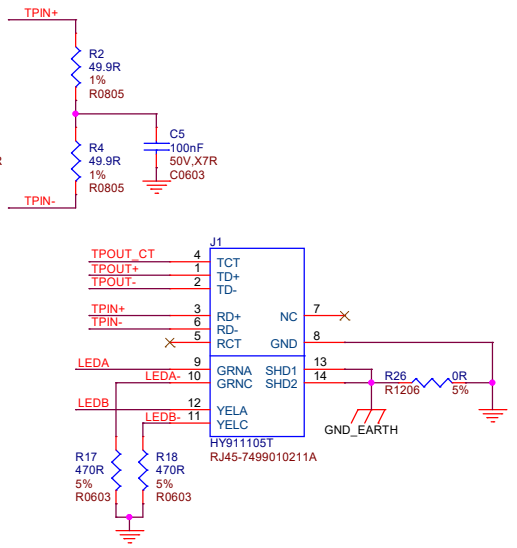
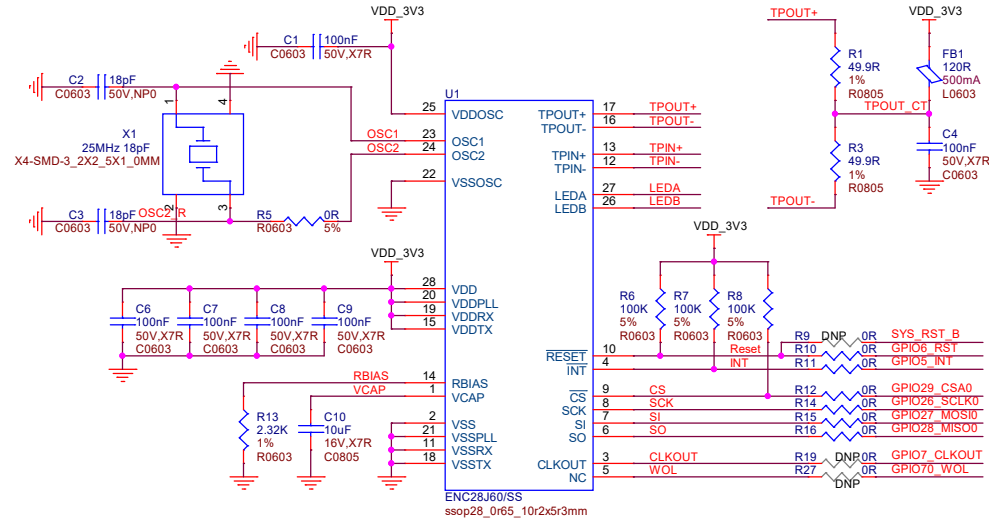
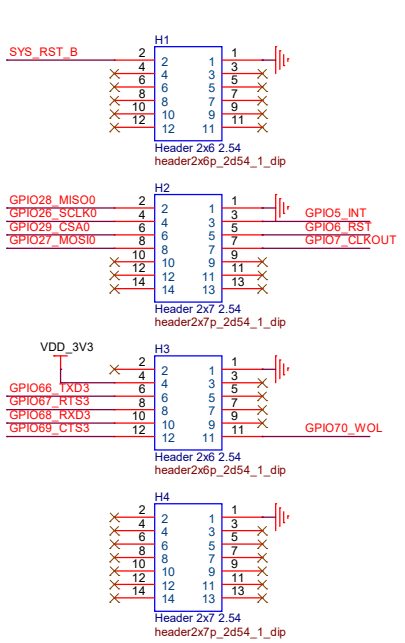


Schematic: MT3620 Ethernet Shield

SHEET	SHEET NAME
01	Title/Revision History
02	SPI To ETH

Revision History

DATE	REVISION	DESCRIPTION
2018/12/20	MT3620 Ethernet Shield_v1.0_SCH_181220	Initial Release



PCB1
MT3620 Ethernet Shield_PCB