

1064540-1 ✓ ACTIVE

TE Internal #: 1064540-1

SSMT Pigtail Cable Assembly, 1 ft [.305 m], Blue Cable, 0 – 6 GHz

Operating Frequency, 50 Ω, FEP Fluorocarbon, 30 AWG, .052 in
[1.32 mm] Diameter

[View on TE.com >](#)



Cable Assemblies > RF Cable Assemblies



Connector Type (End A): **SSMT Jack**

Jacket Material: **FEP Fluorocarbon**

Cable Assembly Length: **.305 m [1 ft]**

Cable Color: **Blue**

Operating Temperature Range: **-40 – 125 °C [-40 – 257 °F]**

Features

Product Type Features

Coax Cable Type	9960-48
Connector Type (End A)	SSMT Jack
Cable Assembly Type	SSMT Pigtail

Configuration Features

Number of Connectorized Ends	1
------------------------------	---

Electrical Characteristics

Insulation Resistance	1000 MΩ
Operating Voltage	250 VAC
Impedance	50 Ω

Body Features

Conductor Plating Material	Silver
Shield Plating Material	Silver
Shield Material	Copper Wire
Body Plating Material	Gold over Nickel



Conductor Material	Copper Clad Steel
Jacket Material	FEP Fluorocarbon
Cable Color	Blue

Contact Features

Center Contact Plating	Gold
Contact Mating Area Plating Material	Gold
Contact Base Material	Beryllium Copper

Mechanical Attachment

Mating Diameter	2.5 mm
-----------------	--------

Dimensions

Wire Size	30 AWG
Mated Height	2.1 mm
Outside Cable Diameter	1.32 mm [.052 in]

Usage Conditions

Operating Temperature Range	-40 – 125 °C [-40 – 257 °F]
-----------------------------	-----------------------------

Operation/Application

Shielded	Yes
Operating Frequency	0 – 6 GHz

Other

Dielectric Material	Polypropylene
Cable Assembly Length	.305 m [1 ft]

Product Compliance

For compliance documentation, visit the product page on [TE.com](https://www.te.com)>

EU RoHS Directive 2011/65/EU	Compliant
EU ELV Directive 2000/53/EC	Not Yet Reviewed
China RoHS 2 Directive MIIT Order No 32, 2016	No Restricted Materials Above Threshold
EU REACH Regulation (EC) No. 1907/2006	Current ECHA Candidate List: JAN 2023 (233) Candidate List Declared Against: JUNE 2022 (224) Does not contain REACH SVHC
Halogen Content	Low Bromine/Chlorine - Br and Cl < 900 ppm per homogenous material. Also BFR

/CFR/PVC Free

Solder Process Capability

Not applicable for solder process capability

Product Compliance Disclaimer

This information is provided based on reasonable inquiry of our suppliers and represents our current actual knowledge based on the information they provided. This information is subject to change. The part numbers that TE has identified as EU RoHS compliant have a maximum concentration of 0.1% by weight in homogenous materials for lead, hexavalent chromium, mercury, PBB, PBDE, DBP, BBP, DEHP, DIBP, and 0.01% for cadmium, or qualify for an exemption to these limits as defined in the Annexes of Directive 2011/65/EU (RoHS2). Finished electrical and electronic equipment products will be CE marked as required by Directive 2011/65/EU. Components may not be CE marked. Additionally, the part numbers that TE has identified as EU ELV compliant have a maximum concentration of 0.1% by weight in homogenous materials for lead, hexavalent chromium, and mercury, and 0.01% for cadmium, or qualify for an exemption to these limits as defined in the Annexes of Directive 2000/53/EC (ELV). Regarding the REACH Regulation, the information TE provides on SVHC in articles for this part number is based on the latest European Chemicals Agency (ECHA) 'Guidance on requirements for substances in articles' posted at this URL: <https://echa.europa.eu/guidance-documents/guidance-on-reach>

Compatible Parts



TE Part # 1055689-1
2367 5002 54, VERT PLUG



TE Part # 1055687-1
2367 0000 54, VERT PLUG



TE Part # 1055692-1
2367 5016 54 OSMT PLUG,2500/RL



TE Part # 1055688-1
2367 5001 54, VERT PLUG

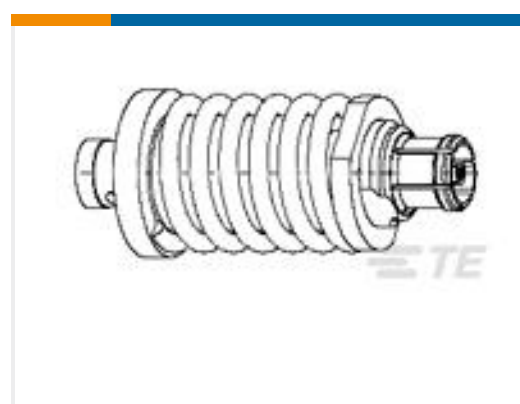


TE Part # 1254242-1
2367 5015 54, OSMT PLUG

Customers Also Bought



TE Part #3419254003
Single Wall NTFR: Heat Shrink Tubing, 1.75:1 Shrink Ratio



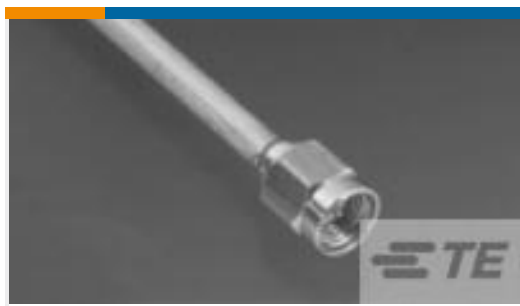
TE Part #1996771-1
SMPM STR CBL JACK



TE Part #1658620-6
26 NOVO MIL 15DP, LEAD FREE



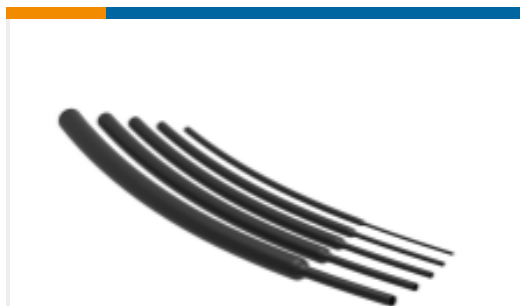
TE Part #1-329632-2
LOCKWASHER, PLATED



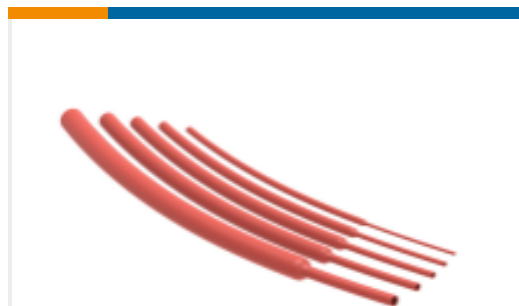
TE Part #1050525-1
2001 5003 02,SMA CABLE PLUG



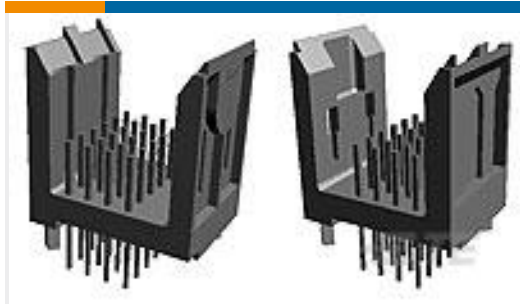
TE Part #CQ97453001
C7X-24B114XL18A-0CK9500



TE Part #NB13264001
RNF-100-3/4-BK-FSP



TE Part #NB13414001
RNF-100-3/4-RD-SP



TE Part #5536501-1
2MM FB,ASY,24,SIG,HDR,SL,4.25

Documents

Product Drawings

9960 2305 24

English

CAD Files

Customer View Model

ENG_CVM_1064540-1_B.3d_igs.zip

English

Customer View Model

ENG_CVM_1064540-1_B.3d_stp.zip

English

Customer View Model

ENG_CVM_1064540-1_B.2d_dxf.zip

English

3D PDF

English

By downloading the CAD file I accept and agree to the [Terms and Conditions](#) of use.

Datasheets & Catalog Pages

SSMT Connectors

English